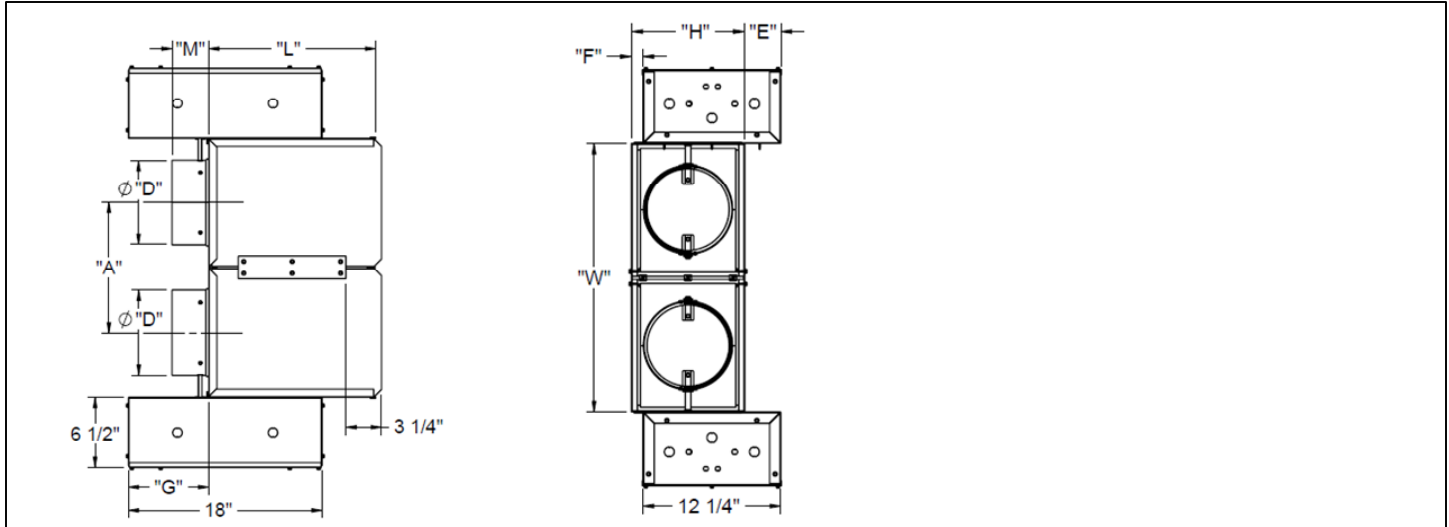


DEDV-S

Seismic Rated Dual Duct Terminal Unit

Direct Digital Control, Pressure Independent, without Integral Mixer/Attenuator



Inlet Size	CFM Range	A	D	E	F	G	H	L	M	W
4	0-225	12 1/8	3 7/8	4 1/4	0	7 3/8	8	15 1/2	5 3/8	24 1/8
5	0-350	12 1/8	4 7/8	4 1/4	0	7 3/8	8	15 1/2	5 3/8	24 1/8
6	0-500	12 1/8	5 7/8	4 1/4	0	7 3/8	8	15 1/2	3 3/8	24 1/8
7	0-650	12 1/8	6 7/8	3 1/4	1	7 3/8	10	15 1/2	3 3/8	24 1/8
8	0-900	12 1/8	7 7/8	3 1/4	1	7 3/8	10	15 1/2	3 3/8	24 1/8
9	0-1050	14 1/8	8 7/8	0	0	5 3/8	12 1/2	15 1/2	3 3/8	28 1/8
10	0-1400	14 1/8	9 7/8	0	0	5 3/8	12 1/2	15 1/2	5 3/8	28 1/8
12	0-2000	16 1/8	11 7/8	1 3/8	1 3/8	5 3/8	15	15 1/2	3 3/8	32 1/8
14	0-3000	20 1/8	13 7/8	2 5/8	2 5/8	3 3/8	17 1/2	15 1/2	3 3/8	40 1/8
16	0-4000	24 1/8	15 7/8	2 7/8	2 7/8	3 3/8	18	15 1/2	3 3/8	48 1/8

Accessories (Optional)

Check if provided.

- | | | | |
|--|---|---|--------------------------------|
| <input type="checkbox"/> 24V Control Transformer | <input type="checkbox"/> 1/2" EcoShield Liner | <input type="checkbox"/> 1" EcoShield Liner (Foil Face) | <input type="checkbox"/> _____ |
| <input type="checkbox"/> Disconnect Switch | <input type="checkbox"/> 1/2" EcoShield Liner (Foil Face) | <input type="checkbox"/> 1" Fibre Free Liner | |
| <input type="checkbox"/> Fibre Free Liner | <input type="checkbox"/> 1" Fiberglass Liner | <input type="checkbox"/> SteriLoc Liner | |
| <input type="checkbox"/> 1/2" Fibre Free Liner | <input type="checkbox"/> 1" EcoShield Liner | <input type="checkbox"/> Hanger Brackets | |

General Description

- Standard construction is 20 gauge steel housing. Mechanically sealed and gasketed, leak resistant construction. Less than 2% of nominal cfm at 1.5" sp wg.
- 20 gauge NEMA 1 control enclosure
- Dual density internal insulation, treated to resist air erosion. Meets requirements of NFPA 90A and UL 181.
- Multipoint center averaging inlet velocity sensor.
- Direct digital control package supplied by Titus includes direct digital controller, damper actuators, and flow transducers (all tested and calibrated.) Room sensor is optional.
- Direct digital control package can be factory mounted by Titus from various manufacturers. Consult your Titus representative for availability.
- Gauge tees for cfm measurement.
- Choice of right hand or left hand cold duct location. Right hand is standard.
- Rectangular discharge opening is designed for slip and drive cleat duct connection.
- OSHPD Seismic Certification: OSP-0352-10