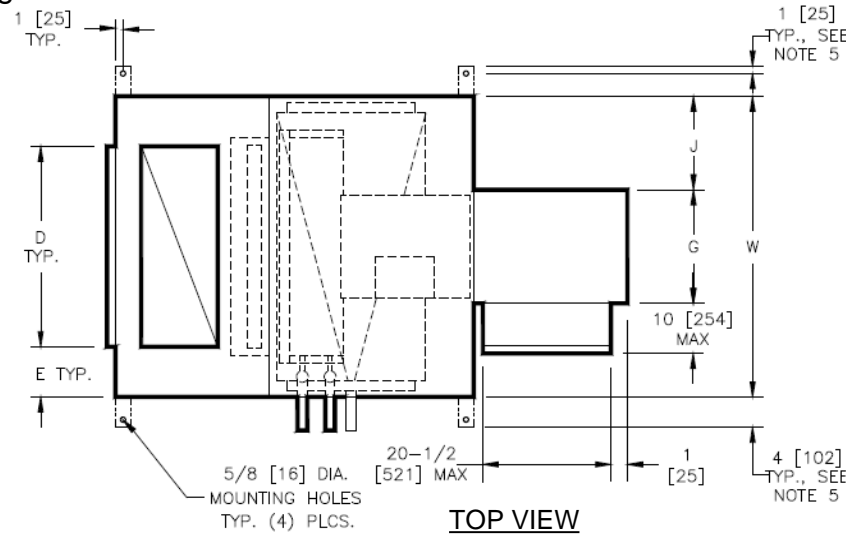


## TBVD Arr. 3 w/Electric Heat & Mixing Box

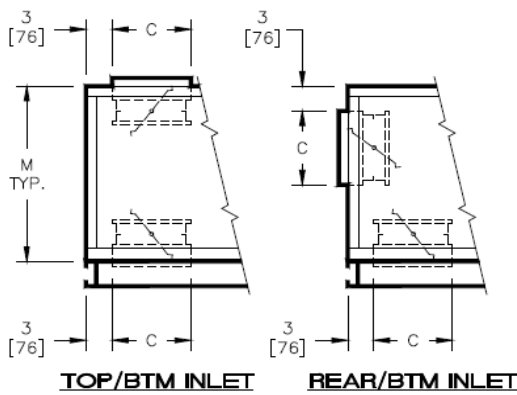
Model TBVD Direct Drive Blower Coil Unit Discharge  
 ARTG.3 w/ Mixing Box & Blow-Thru Electric Heat

### NOTES:

1. All dimensions are Inches [millimeters]. All dimensions are  $\pm 1/4"$  [6mm]. Metric values are soft conversion.
2. Right hand unit shown, left hand unit opposite. Motor/drive location may be specified Left or Right Hand. Standard control enclosure location matches motor/drive position.
3. Provide sufficient clearance to permit access to controls and comply with applicable codes and ordinances.
4. See drawing BC-TBHD-16.0 for filter rack details.
5. Base rail is optional on the base unit. See drawing BC-TBHD-18.0. Base rails must be used with mixing box.
6. See coil connection details drawings for Coil connection sizes and locations.
7. Units with electric heat only (No chilled water, DX, hot water or steam coils) and a drain pan will be supplied with condensate drain outlet the same side as the electric heat control enclosure

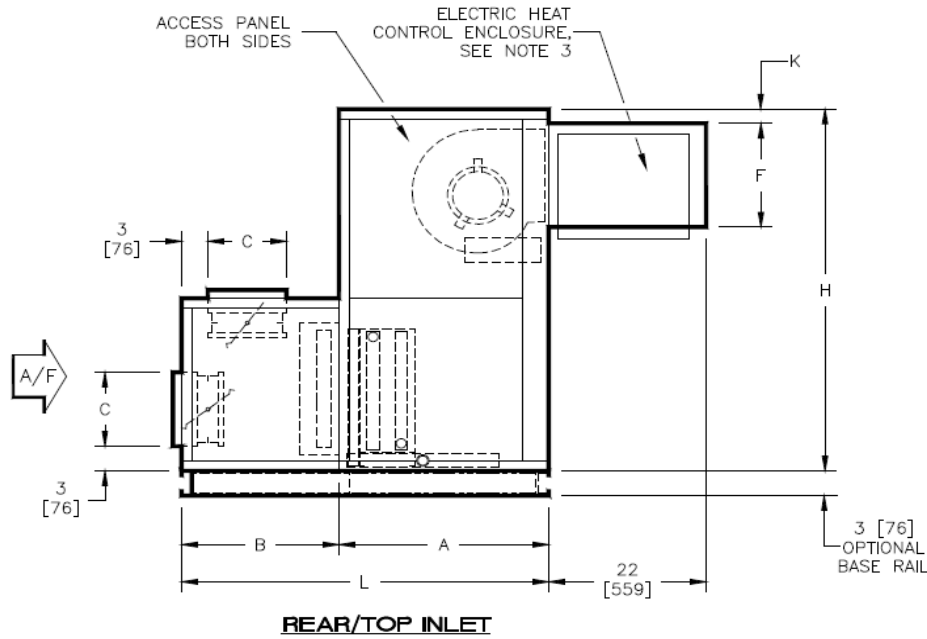


**TOP VIEW**



**TOP/BTM INLET**

**REAR/BTM INLET**



**SIDE VIEW**

**REAR/TOP INLET**

### DIMENSIONS

SIZE	UNIT MODEL	L	W	H	A	B	C	D	E	F	G	J	K	M
08	9 X 6	42	30	44	24	18	9	18	6	11-7/8	8-3/4	10-5/8	1-7/8	21
	[229 X 152]	[1067]	[762]	[1118]	[610]	[457]	[229]	[457]	[152]	[302]	[222]	[270]	[48]	[533]
12	9 X 6	42	36	44	24	18	9	24	6	11-7/8	8-3/4	13-5/8	1-7/8	21
	[229 X 152]	[1067]	[914]	[1118]	[610]	[457]	[229]	[610]	[152]	[302]	[222]	[346]	[48]	[533]
16	10 X 8	42	44	44	24	18	9	30	7	11-7/8	10-3/4	16-5/8	1-7/8	21
	[254 X 203]	[1067]	[1118]	[1118]	[610]	[457]	[229]	[762]	[178]	[302]	[273]	[422]	[48]	[533]
20	10 X 8	51	50	50	30	21	12	36	7	11-7/8	10-3/4	19-5/8	1-7/8	21
	[254 X 203]	[1295]	[1270]	[1270]	[762]	[533]	[305]	[914]	[178]	[302]	[273]	[498]	[48]	[533]
30	10 X 8	51	59	56	30	21	12	45	7	11-7/8	10-3/4	24-1/8	5-1/2	30
	[254 X 203]	[1295]	[1499]	[1422]	[762]	[533]	[305]	[1143]	[178]	[302]	[273]	[612]	[140]	[762]
40	10 X 8	54	68	59	30	24	15	48	10	11-7/8	10-3/4	28-5/8	5-1/2	30
	[254 X 203]	[1372]	[1727]	[1499]	[762]	[610]	[381]	[1219]	[254]	[302]	[273]	[727]	[140]	[762]

New	08/04/22	SP	New Release
Revision Date	Version Date	Initiated By	Description