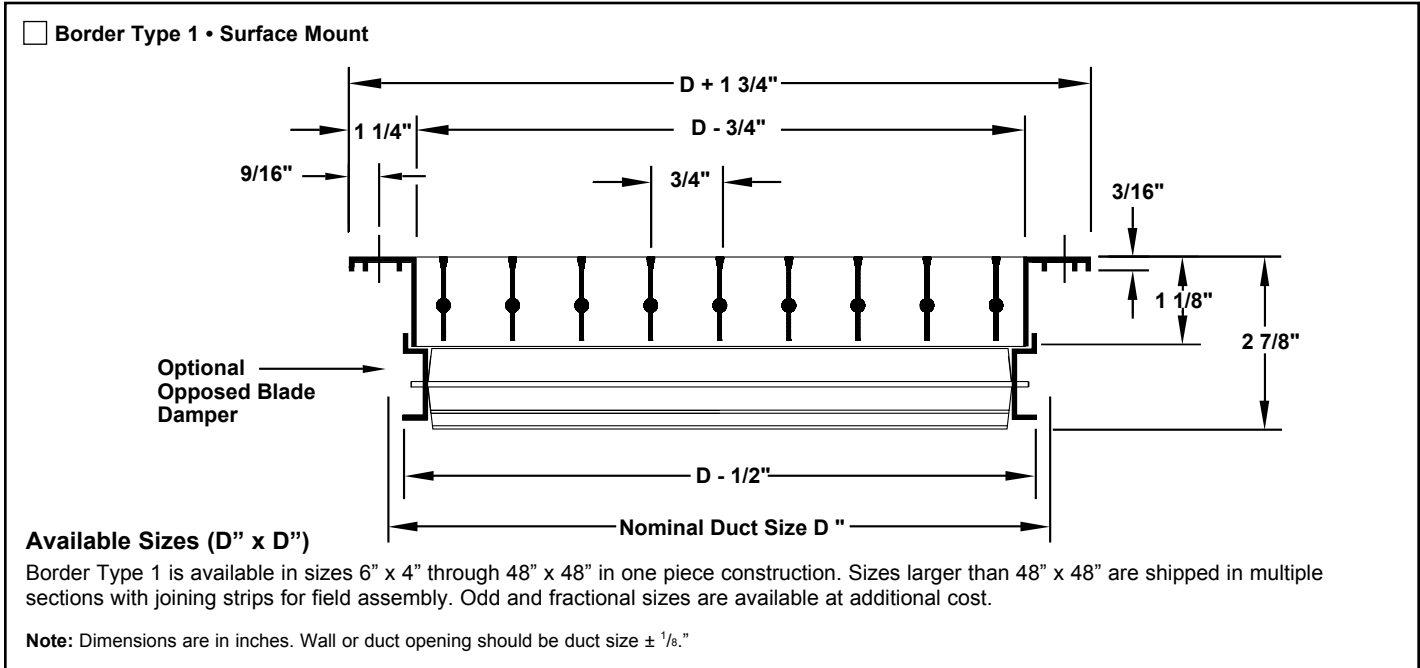
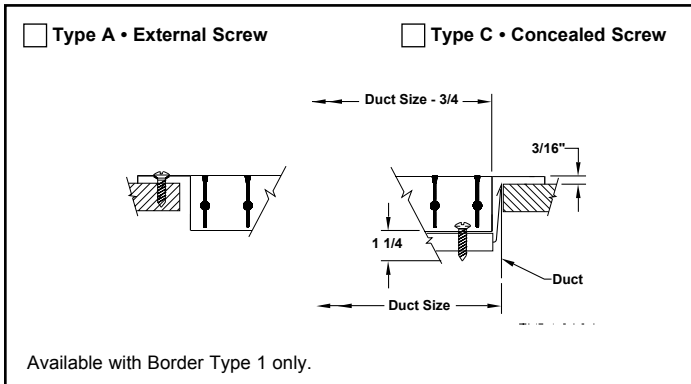


Louvered Return Grilles and Registers • Aero-Blade Series • Aluminum

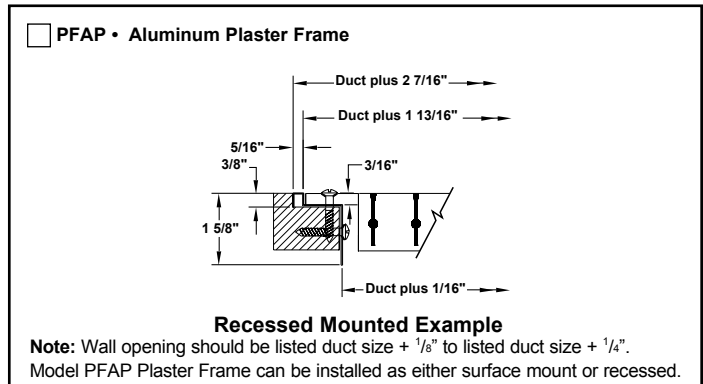
- Models: **56FL** • 0° Deflection • Long Blades • 3/4" Blade Spacing
 56FS • 0° Deflection • Short Blades • 3/4" Blade Spacing



Fastenings



Mounting Frames



Accessories (Optional)

Check if provided

- | | |
|--|--|
| <input type="checkbox"/> Opposed blade damper (galvanized steel) | <input type="checkbox"/> IS • Insect Screen (1/16" square mesh – galvanized steel) |
| <input type="checkbox"/> EQT • Earthquake Tabs | <input type="checkbox"/> DS • Debris Screen (1/4" square mesh – galvanized steel) |
| | <input type="checkbox"/> Other: _____ |

Standard Finish: #26 White

Other Finish: _____

General Description

- One set of 0° fixed blades.
- Material is heavy extruded aluminum for blades and border.
- All dimensions are $\pm 1/16$ ".
- Optional opposed blade damper has slide adjustment accessible at face of register.
- #8 x 1 1/4" lg. Phillip's flat head sheet metal screws painted white.



Note: This submittal is meant to demonstrate general dimensions of this product. The drawings on this submittal are not meant to detail every aspect of the product with exactness. Drawings are not to scale. TITUS reserves the right to make changes without written notice.
 605 Shiloh Road • Plano, Texas 75074 • 972-212-4800

MABG-17.0-S

Optional Border Types Available

**Border Type 2 (Snap-in)
Panel Mounted**

Available in 24" x 24" modules with neck sizes up to 20" x 20".

**Border Type 3 (Lay-in)
Panel Mounted**

Available in all standard module sizes with neck sizes up to module size minus 2".

**Border Type 4 (Spline)
Panel Mounted**

Available in 24" x 24" modules with neck sizes up to 20" x 20". Splines on 2 opposite sides only

Border Type 7 (Channel)

Available in sizes up to 48" x 48".

Border Type 2, 3, 4

• Accessories & Options

Check if provided

- Neck mounted opposed blade damper (galvanized steel)
- IS • Insect Screen (1/16" square mesh – galvanized steel)
- DS • Debris Screen (1/4" square mesh – galvanized steel)
- EQT • Earthquake tabs
- Other _____

Standard Finish: #26 White

Optional finish _____

Border Type 7

• Accessories & Options

Check if provided

- EQT • Earthquake tabs
- Other _____

Standard Finish: #26 White

Optional finish _____



Note: This submittal is meant to demonstrate general dimensions of this product. The drawings on this submittal are not meant to detail every aspect of the product with exactness. Drawings are not to scale. TITUS reserves the right to make changes without written notice.
605 Shiloh Road • Plano, Texas 75074 • 972-212-4800

MABG-17.0-S