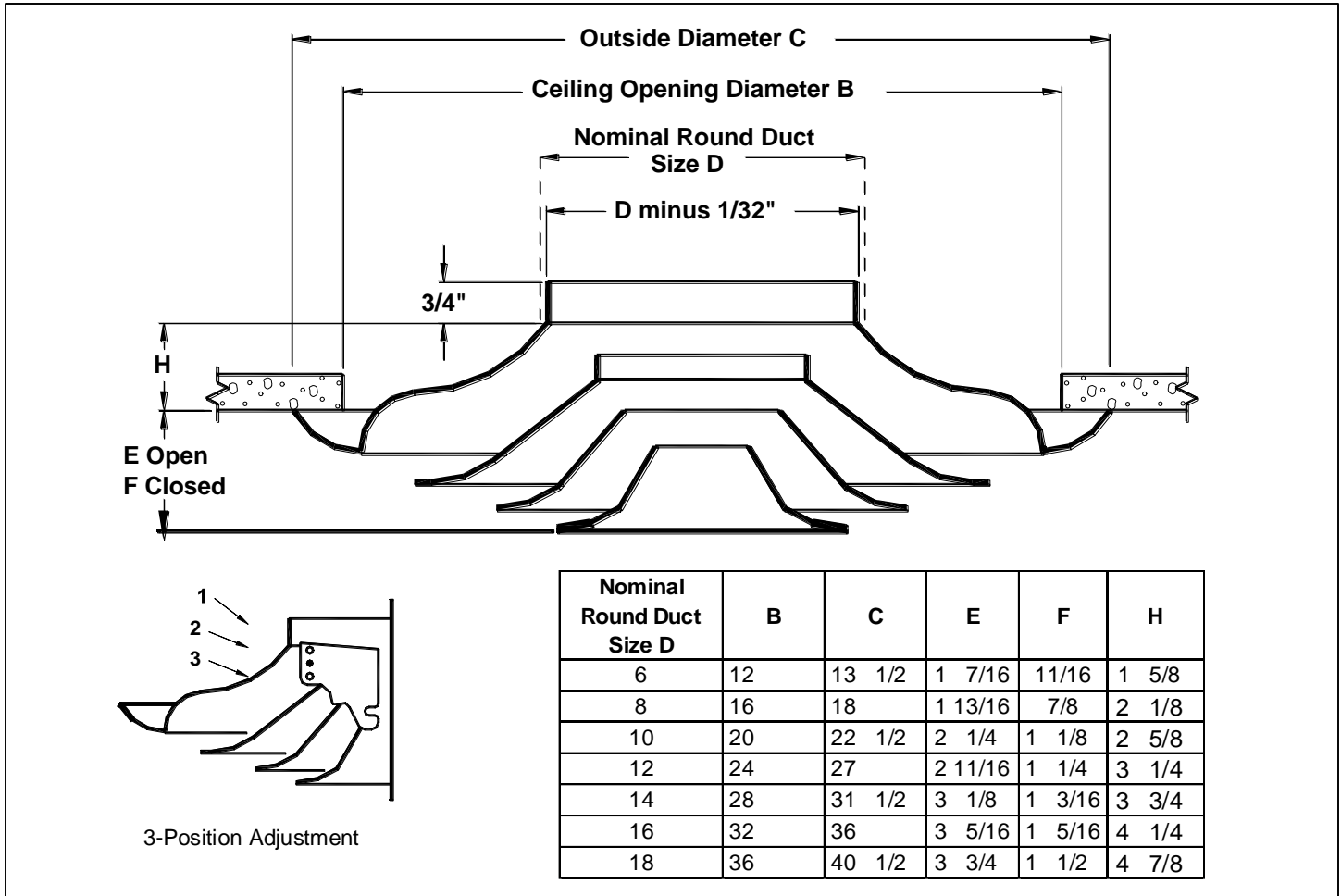
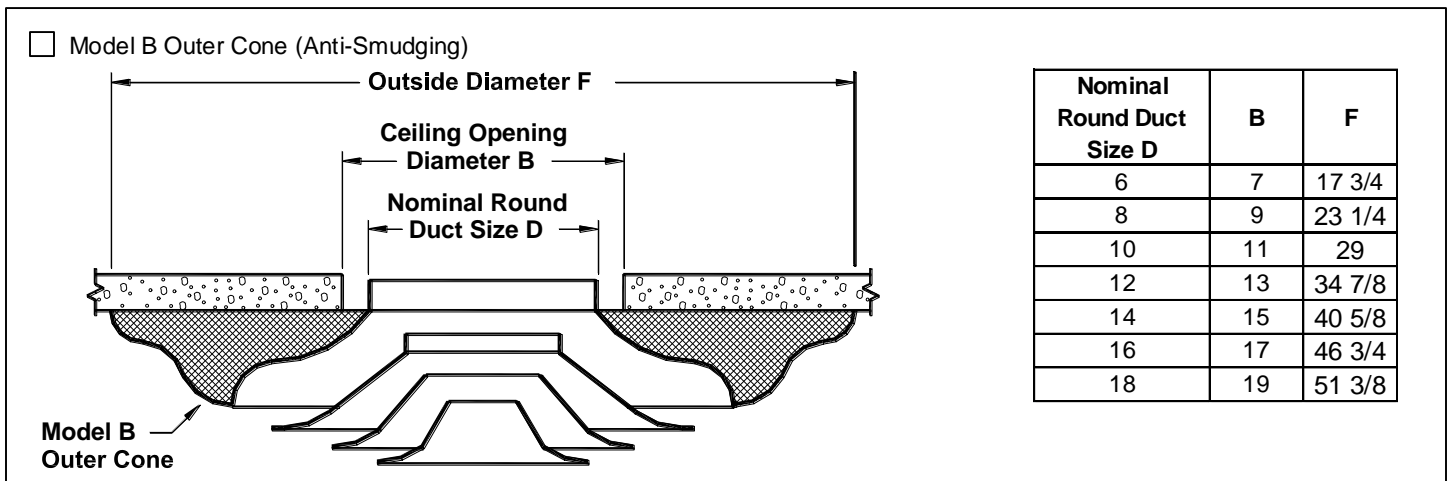


Round Ceiling Diffusers • Aluminum • Adjustable

Model: TMRA-AA • Horizontal-to-Vertical Discharge Patterns



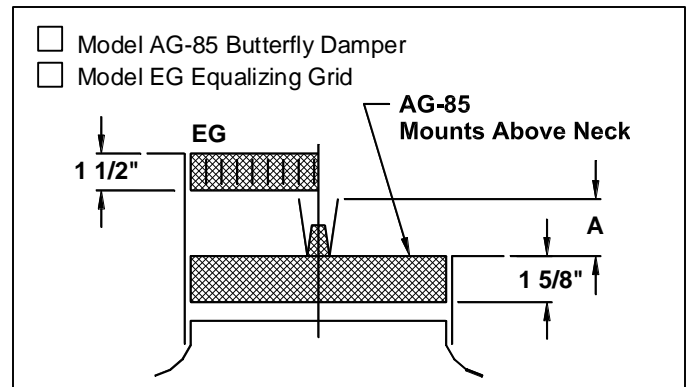
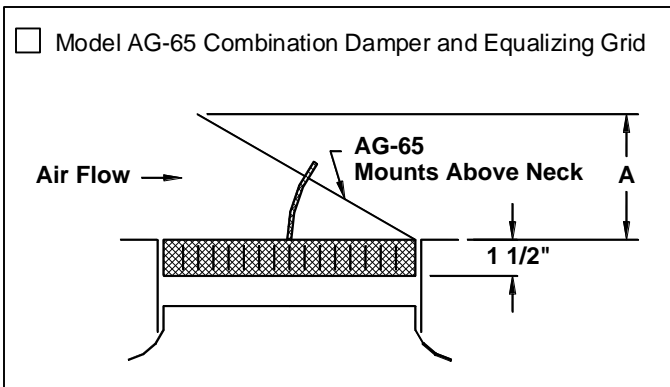
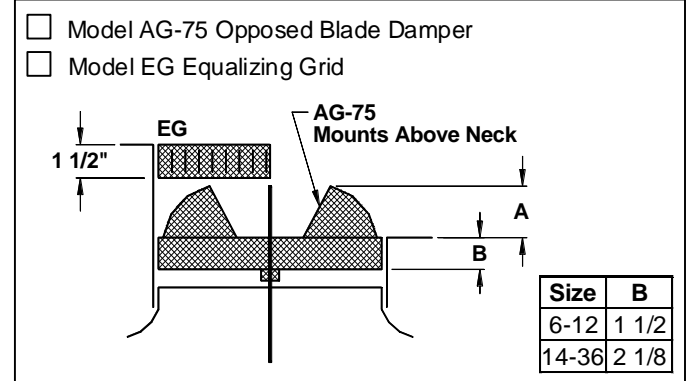
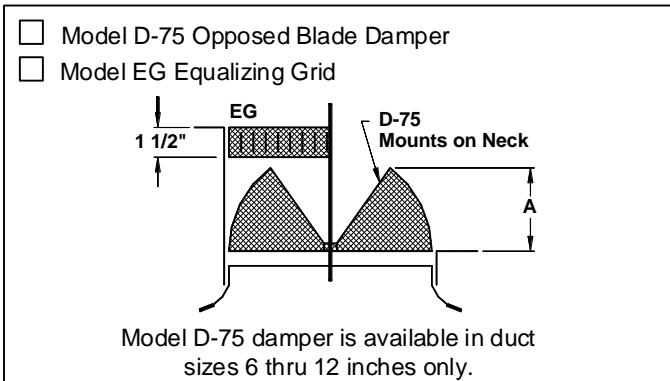
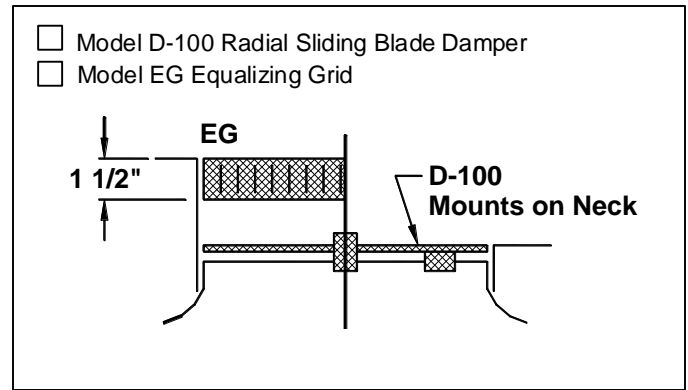
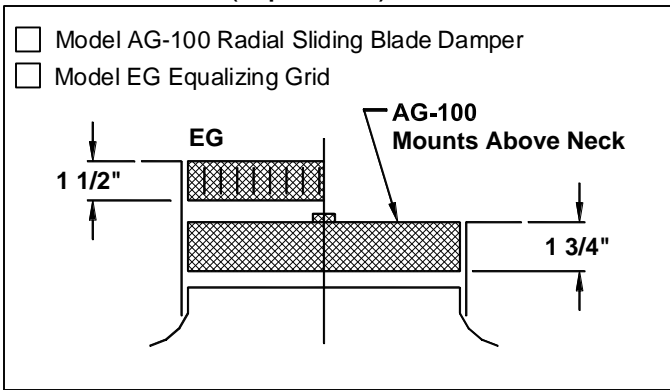
Accessories (Optional) Check if provided.



Dimensions are in inches.

Accessories (Optional) continued

Check if provided.



Dimension "A" in Inches, for Dampers Shown

Accessories	Nominal Round Duct Sizes						
	6	8	10	12	14	16	18
AG-100	—	—	—	—	—	N/A	N/A
D-100	—	—	—	—	—	N/A	N/A
D-75	2 3/8	3 1/4	4 1/8	4 7/8	N/A	N/A	N/A
AG-85	2 1/2	3 1/2	4 1/2	5 1/2	6 1/2	7 1/2	8 1/2
AG-65	3 3/8	4 1/2	5 1/2	7 1/8	8 5/8	9 7/8	11
AG-75	2 3/4	3 5/8	4 1/2	5 3/8	2 3/4	3 1/2	4 1/8

Note: Model AG-100 and D-100 dampers have radial blades that slide in a horizontal plane. For that reason, no opening clearance "A" is dimensioned.

Standard Finish: #26 White

General Description

- Model TMRA-AA adjustable round ceiling diffusers are designed for both heating and cooling applications. The discharge pattern can be adjusted in 3 fixed cone positions from horizontal to vertical.
- Uniform 360 degree discharge pattern.
- Excellent performance in variable air volume applications.
- Adjusted by removing the 3 inner cones as a unit and repositioning 6 screws.
- Optional Type B-AA outer cone reduces ceiling smudging. Also useful where plenum height or space for the opening is limited. Available for diffusers with duct sizes 6 through 18 inches.
- Spring lock allows easy removal and replacement of the 3 inner cones.
- Material is aluminum with miscellaneous steel components.
- For model TMRA-AA with neck sizes of 12" to 18" diameter, a retainer cable is provided to allow the inner cone to hang during maintenance of diffuser,

This submittal is meant to demonstrate general dimensions of this product. The drawings are not meant to detail every aspect of the product. Drawings are not to scale. Titus

reserves the right to make changes without written notice.