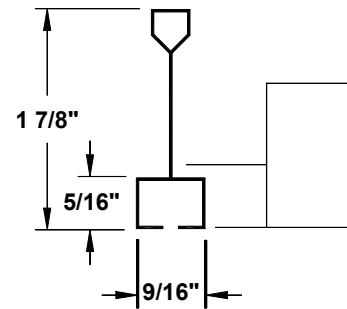


- ML-37-NT** • ½" Slot • Supply
- ML-38-NT** • ¾" Slot • Supply
- ML-39-NT** • 1" Slot • Supply
- ML-40-NT** • 1½" Slot • Supply

- MLR-37-NT** • ½" Slot • Return
- MLR-38-NT** • ¾" Slot • Return
- MLR-39-NT** • 1" Slot • Return
- MLR-40-NT** • 1½" Slot • Return

Linear Slot Ceiling Diffusers
 Aluminum • Modular • Narrow Tee

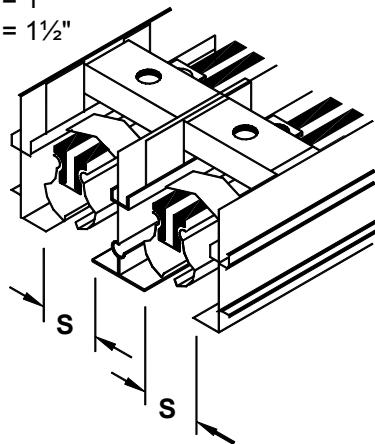


Narrow Tee Detail
of End Cap

Supply

Model

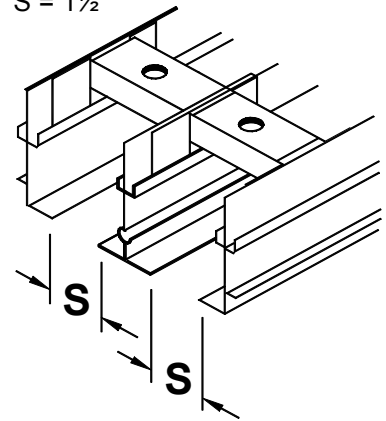
- ML-37-NT S = ½"
- ML-38-NT S = ¾"
- ML-39-NT S = 1"
- ML-40-NT S = 1½"



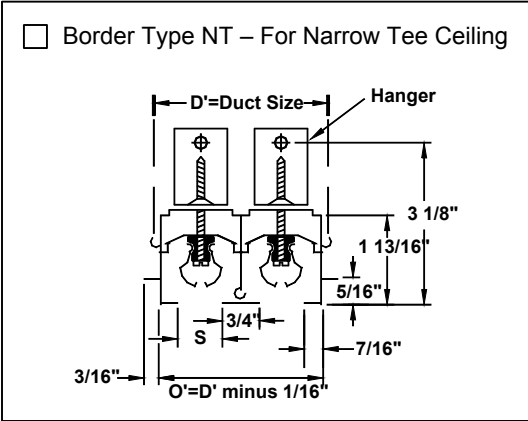
Return

Model

- MLR-37-NT S = ½"
- MLR-38-NT S = ¾"
- MLR-39-NT S = 1"
- MLR-40-NT S = 1½"



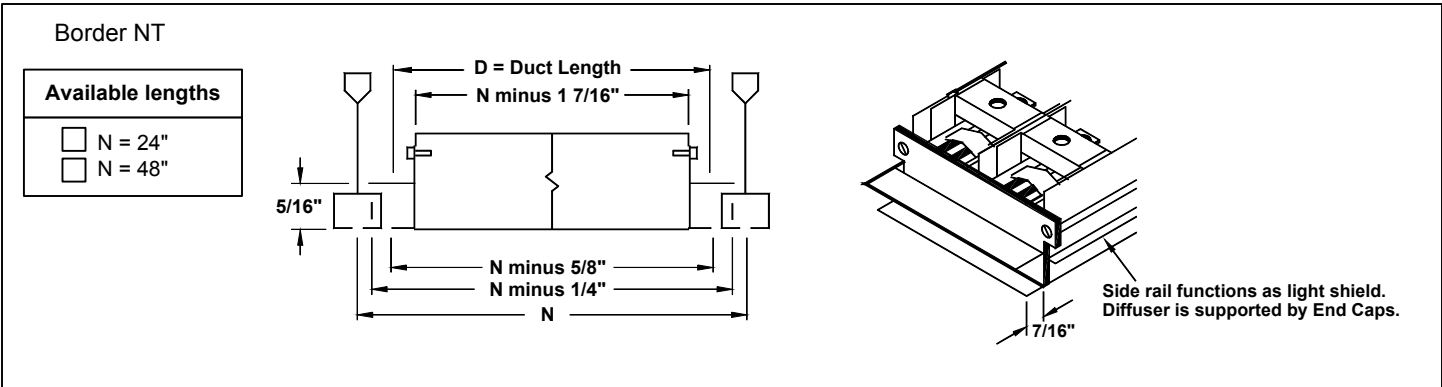
Dimensions are in inches.



Duct Dimensions D' (Width)

No. of Slots	Border Type NT			
	ML/MLR 37	ML/MLR 38	ML/MLR 39	ML/MLR 40
	S = 1/2	S = 3/4	S = 1	S = 1 1/2
1	1 3/8	1 5/8	1 7/8	2 3/8
2	2 5/8	3 1/8	3 5/8	4 5/8
3	3 7/8	4 5/8	5 3/8	6 7/8
4	5 1/8	6 1/8	7 1/8	9 1/8
5	6 3/8	7 5/8	8 7/8	N/A
6	7 5/8	9 1/8	10 5/8	N/A
7	8 7/8	10 5/8	12 3/8	N/A
8	10 1/8	12 1/8	14 1/8	N/A

Note: ML/MLR-40 is only available in 1-4 slots.



Accessories (optional)

Check if provided.

Optional Plenum

- MP-SP Design (Check only if special performance is required, also check one of the below)
- MP-37-NT • 1/2" Slot • Uninsulated
- MP-38-NT • 3/4" Slot • Uninsulated
- MP-39-NT • 1" Slot • Uninsulated
- MP-40-NT • 1 1/2" Slot • Uninsulated
- MPI-37-NT • 1/2" Slot • Insulated
- MPI-38-NT • 3/4" Slot • Insulated
- MPI-39-NT • 1" Slot • Insulated
- MPI-40-NT • 1 1/2" Slot • Insulated

Note: endcaps are not insulated

Optional Internal Insolation

Optional MP-SP Design

Optional Blank-Offs

BLKS - Cold Rolled Steel - Fits over Neck

BLKV - Vinyl - Fits in Slot

Standard Finish:

- #26 White border
- Black pattern controllers.

Optional Finishes:

- Clear anodized border
- Black pattern controllers.

General Description

- ML-NT Modulinear Diffuser nominal 2 ft. unit fits into 2' x 2' Narrow Tee regressed ceiling systems.
- ML-NT Modulinear Diffuser nominal 4 ft. unit fits into 2' x 4' narrow tee ceiling (does not include a cross notch).
- Pattern controllers change direction and volume of air flow.
- ML-NT includes light shield along sides. End Caps support the diffuser in the ceiling system.
- Material is extruded aluminum with steel pattern controllers.



Note: This submittal is meant to demonstrate general dimensions of this product. The drawings on this submittal are not meant to detail every aspect of the product with exactness. Drawings are not to scale. TITUS reserves the right to make changes without written notice.

605 Shiloh Road • Plano, Texas 75074 • 972-212-4800