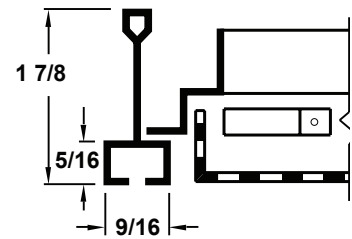
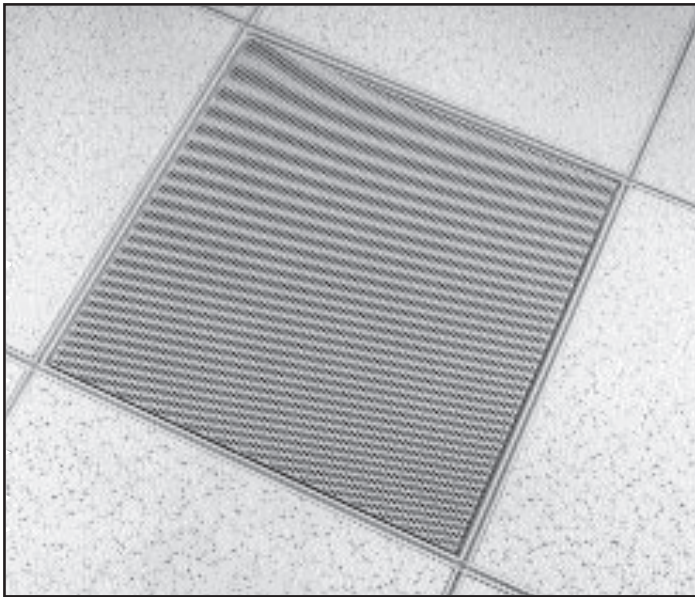


# Perforated Ceiling Diffusers

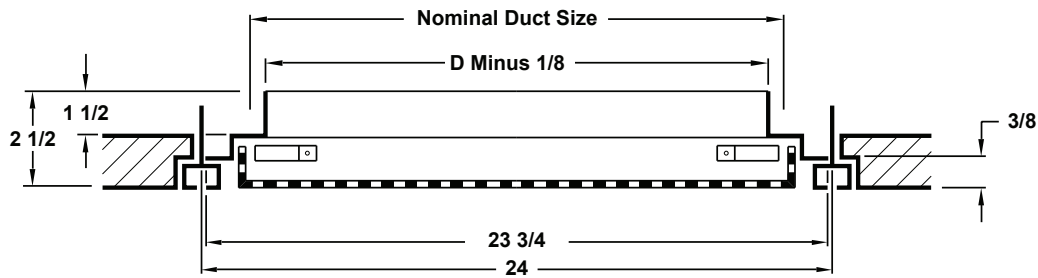
## Steel • Return

Model: PAR-NT • Narrow Tee



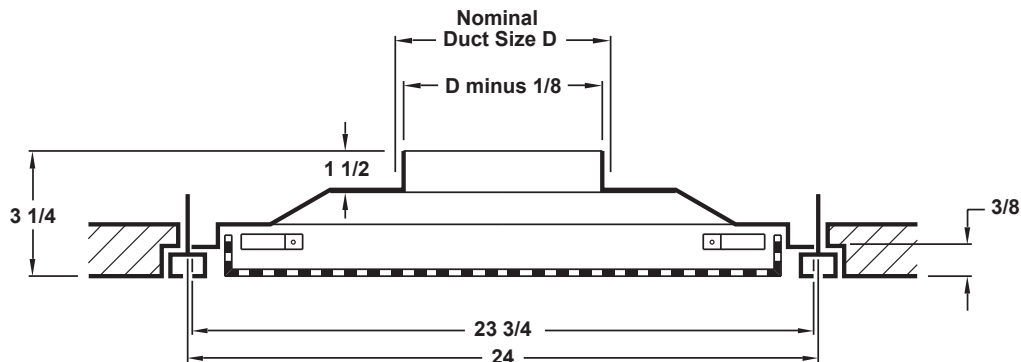
**Narrow Tee Detail**

Border Type 3 (Square Neck)



Nominal Duct Size D Rectangular
6 x 6
8 x 8
10 x 10
12 x 12
15 x 15
18 x 18
22 x 22

Border Type 3 (Round Neck)

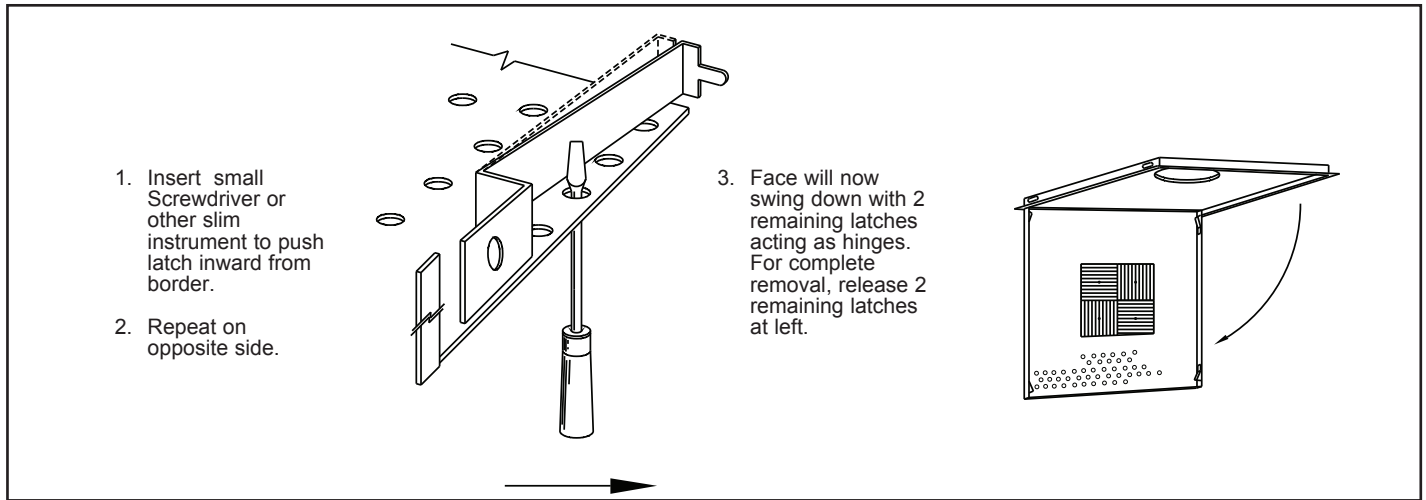


Nominal Duct Size D Round
6
8
10
12
14
16

Dimensions are in inches.

(Please see reverse side.)

## Removing Perforated Face



## Accessories (Optional)

Check  if provided

Accessories	Nominal Round Duct Sizes					
	6	8	10	12	14	16
<input type="checkbox"/> AG-100	•	•	•	•	•	N/A
<input type="checkbox"/> D-100	•	•	•	•	•	N/A
<input type="checkbox"/> D-75	•	•	•	•	N/A	N/A
<input type="checkbox"/> AG-85	•	•	•	•	•	•
<input type="checkbox"/> AG-65	•	•	•	•	•	•
<input type="checkbox"/> AG-75	•	•	•	•	•	•
<input type="checkbox"/> EG	•	•	•	•	•	•
<input type="checkbox"/> EQT	•	•	•	•	•	•

Accessories	Nominal Rectangle Duct Sizes						
	6x6	8x8	10x10	12x12	15x15	18x18	22x22
<input type="checkbox"/> AG-95	•	•	•	•	•	•	•
<input type="checkbox"/> AG-35B	•	•	•	•	•	•	•
<input type="checkbox"/> EG-L/EG-S	•	•	•	•	•	•	•
<input type="checkbox"/> EQT	•	•	•	•	•	•	•

• Available Sizes

**Standard Finish:** #26 White

## General Description

- Model PAR-NT is designed to integrate into Narrow Tee regressed ceiling systems.
- Model PAR-NT perforated panels are designed for return or exhaust applications.

- Panels match Model PAS supply diffusers in appearance after installation.
- Perforated panel has  $\frac{3}{16}$ " diameter holes on  $\frac{1}{4}$ " staggered centers.

- Face is hinged for easy removal.
- Material is heavy gauge steel.