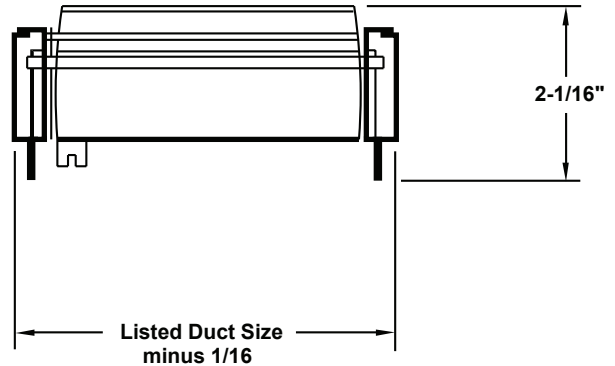
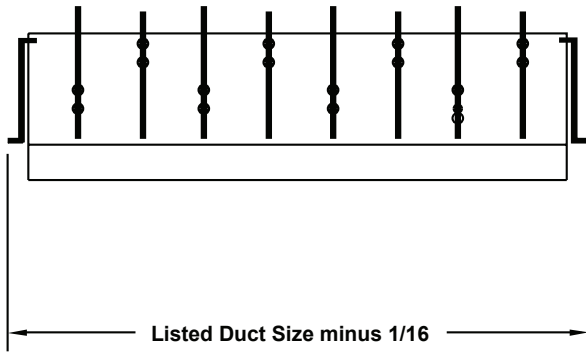


**Air Balancing Devices
Opposed Blade Dampers • Duct Mounted
For Square and Rectangular Necks
Model: AG-35B**

Type 1 (Slot Face, Standard)

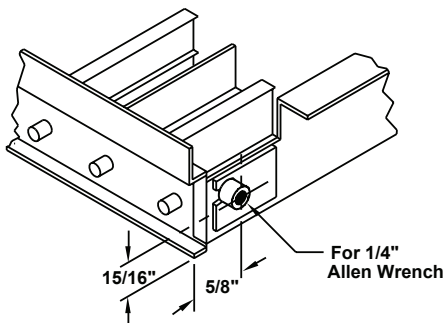


Available Sizes: 6" x 3" to 48" x 48".

Additional Operator Types

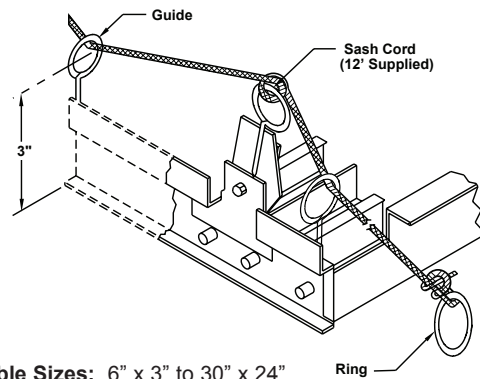
Check if provided

Type 5 (Hex Operator)



Available Sizes: 6" x 4" to 48" x 24".

Type 6 (Cord Operator)



Available Sizes: 6" x 3" to 30" x 24".

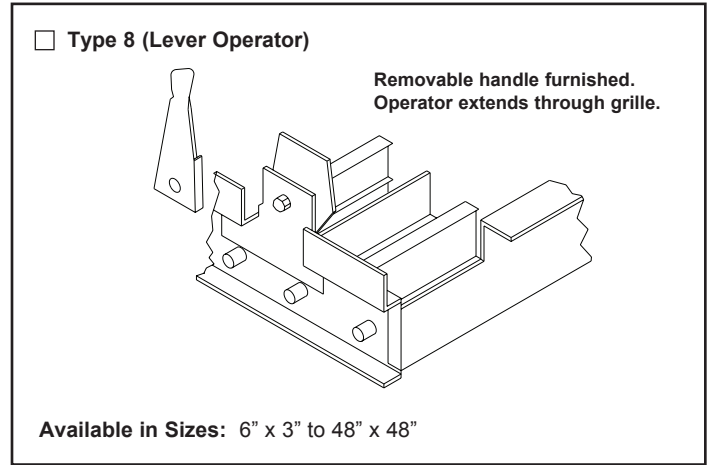
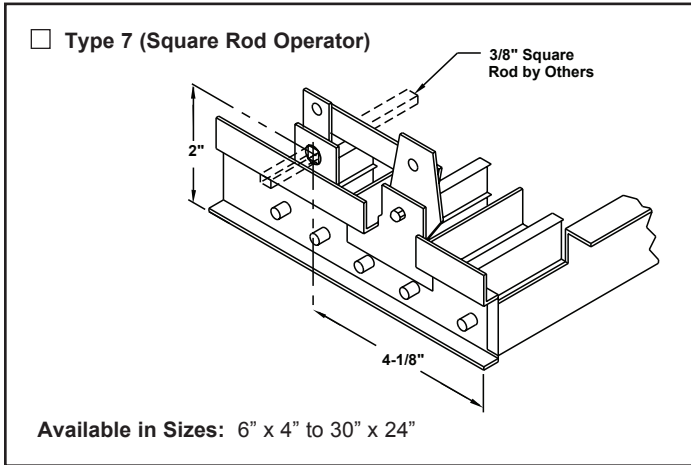
Dimensions are in inches.

ABD-10.0-S

(Please see reverse side)

Additional Operator Types (Continued)

Check if provided



Standard Finish: Mill

General Description

- The TITUS AG-35B is a duct mounted opposed blade damper used in square and rectangular neck applications.
- Gang operated opposed blades meter air volume with minimal air disturbance.

- Shipped loose for field installation.
- Available operator types are Slot-Face (Type 1), Hex Operator (Type 5), Cord Operator (Type 6), Square Rod Operator (Type 7) and Lever (Type 8).

- Material is galvanized steel.

ABD-10.0-S



Note: This submittal is meant to demonstrate general dimensions of this product. The drawings on this submittal are not meant to detail every aspect of the product with exactness. Drawings are not to scale. TITUS reserves the right to make changes without written notice.

605 Shiloh Road • Plano, Texas 75074 • 972-212-4800