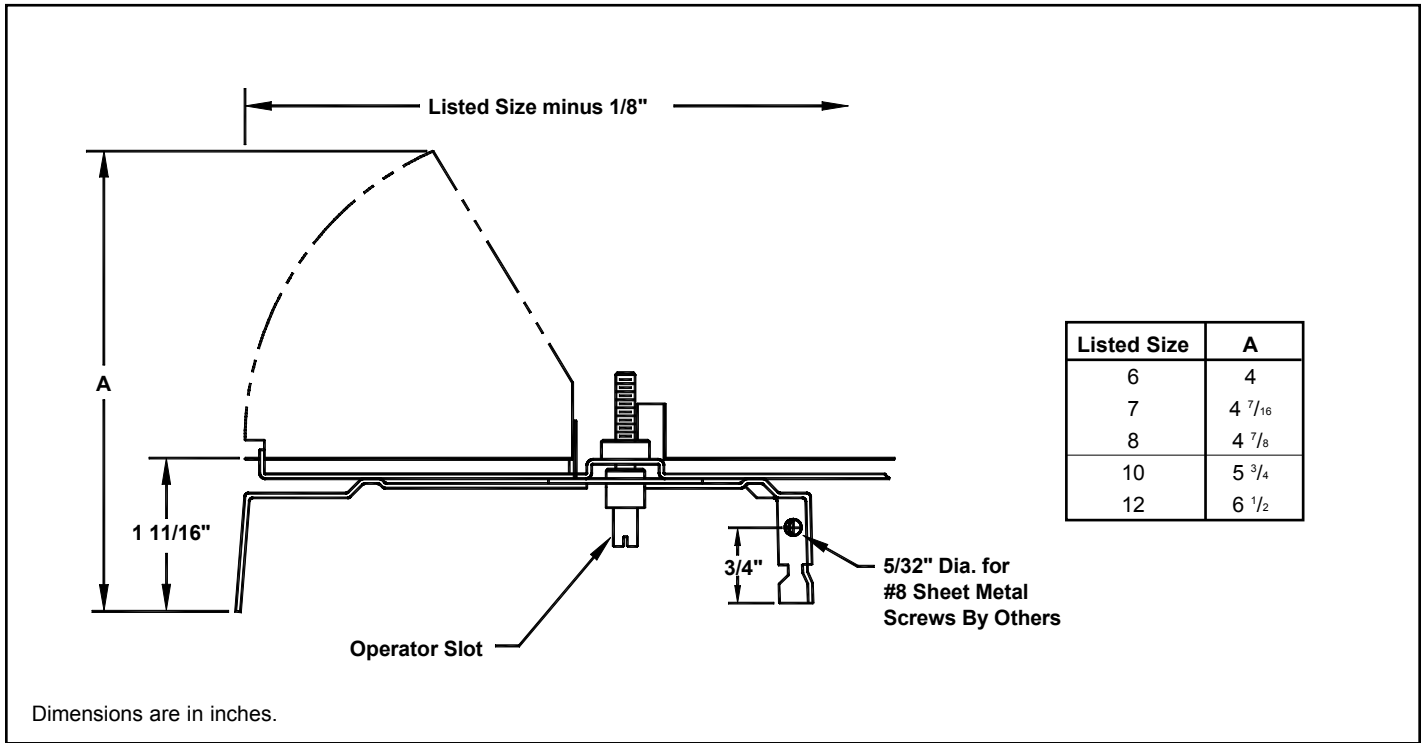


Air Balancing Devices Opposed Blade Damper • Neck Mounted For Round Necks

Models: D-75



Standard Finish: Mill

General Description

- The TITUS D-75 is a neck mounted opposed blade damper used in round duct applications.
- Three sets of gang operated blades distribute air evenly through the diffuser.
- Adjustable at screwdriver operator slot.
- Material is galvanized steel.