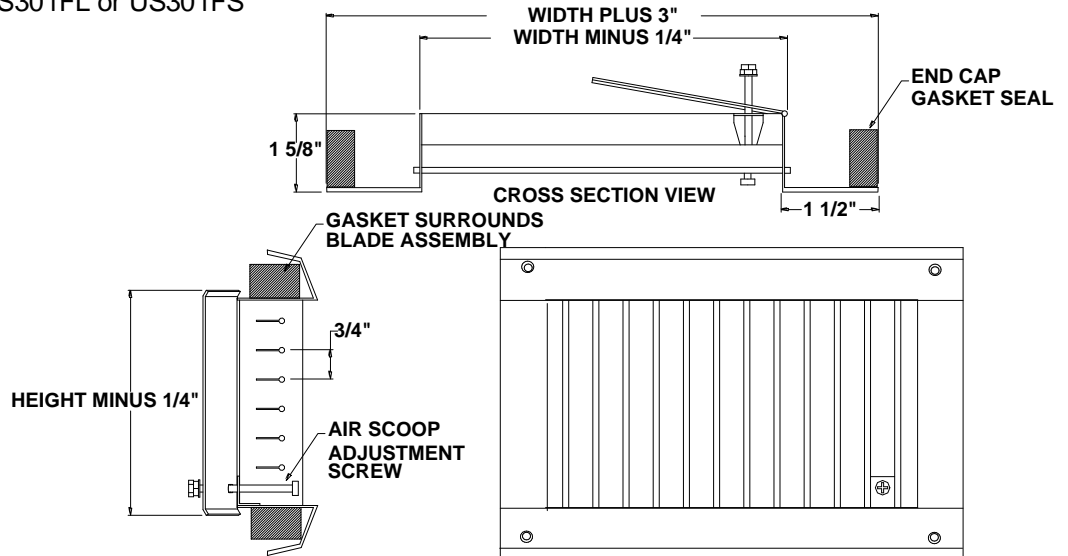


Aluminum Spiral Duct Mounted Grille

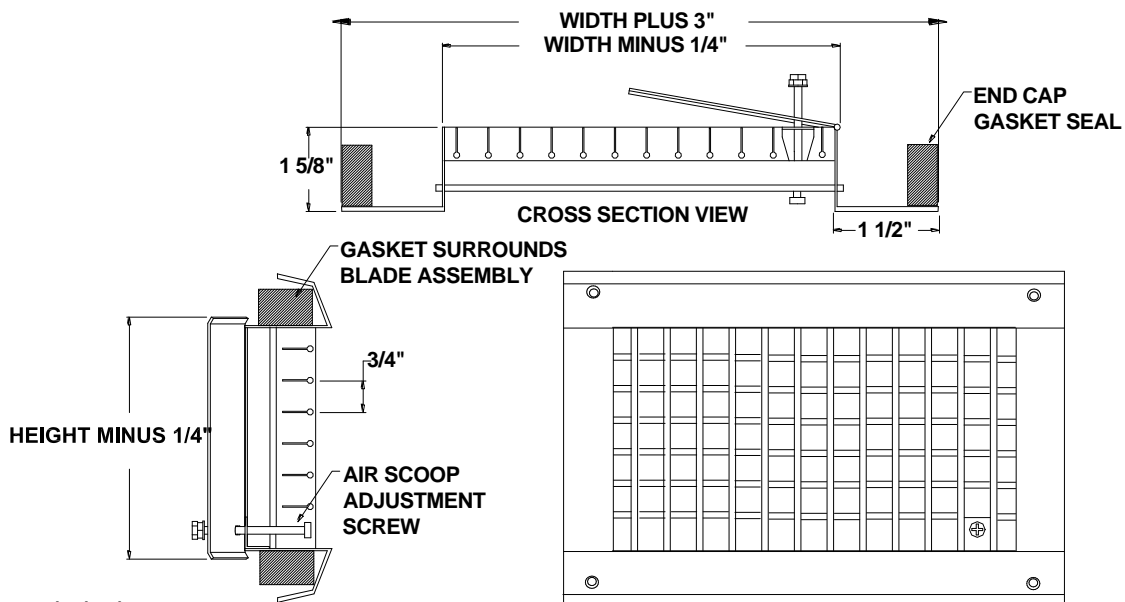
Single or Double Deflection • Optional Damper/Extractor

- Model: US301FL • Universal Endcaps • Single Deflection • Long Blades • 3/4" Blade Spacing**
US301FS • Universal Endcaps • Single Deflection • Short Blades • 3/4" Blade Spacing
US300FL • Universal Endcaps • Double Deflection • Long Front Blades • 3/4" Blade Spacing
US300FS • Universal Endcaps • Double Deflection • Short Front Blades • 3/4" Blade Spacing

Single Deflection Models: US301FL or US301FS



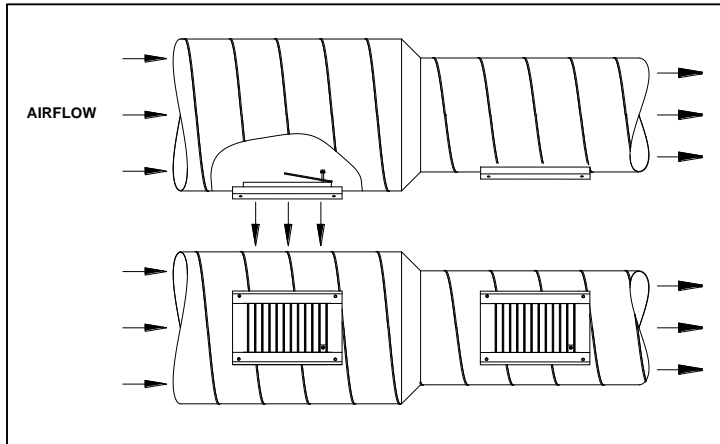
Double Deflection Models: US300FL or US300FS



Available Duct Diameter by Height

Height	3"	4"	6"	8"	10"
Min : Max Duct Diameter	10" : 36"	10" : 36"	12" : 36"	20" : 36"	24" : 36"

Typical Installation



Standard Finish: #26 White

Optional Extractor:

Model ASD - Air Scoop Device. Extractor must be ordered with grille. Cannot be field installed.

Application Notes:

For duct velocities up to 800 fpm, the extractor is not required. For duct velocities higher than 800 fpm, the extractor is recommended.

General Description

- Spiral Grilles save contractor installation time and money by directly mounting to the duct.
- Available with single or double deflection, with adjustable louvers vertical or horizontal.
- Front louvers available in vertical or horizontal.
- All-aluminum construction with universal end caps to match duct diameters from 10" thru 36" in even increments.
- Foam gasketing standard for tight seal to duct.
- Optional ASD (Air Scoop Device) - operable with Phillips screwdriver for volume adjustment, accessible from grille face.