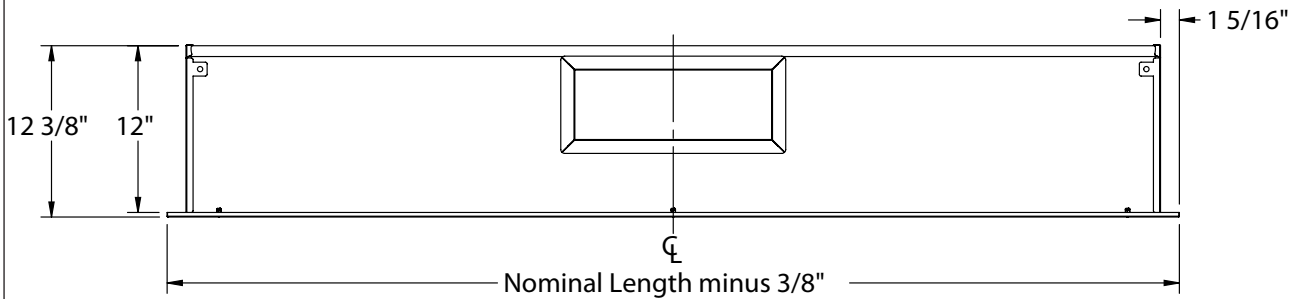


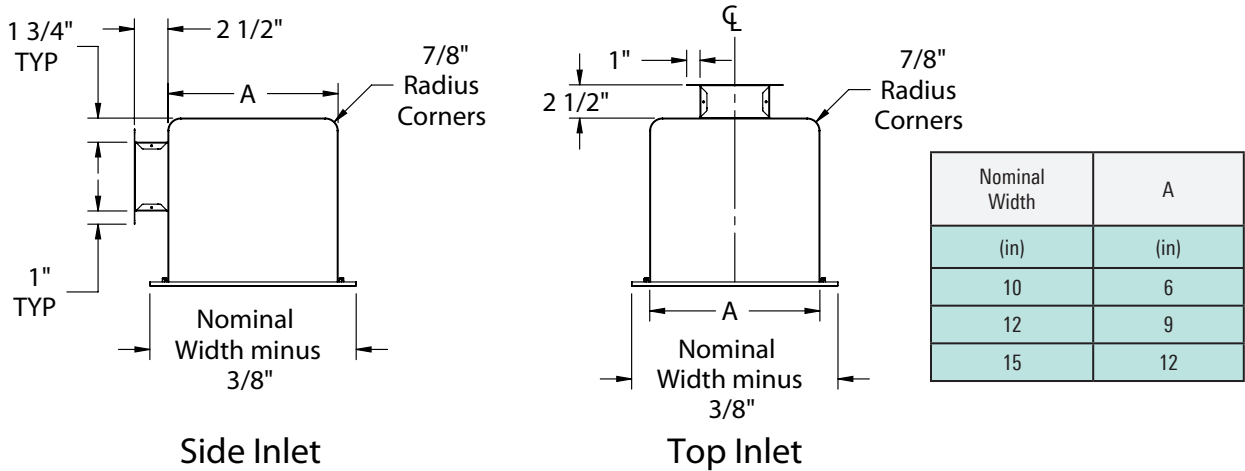
LINEATEC UNIT DIMENSIONS - SINGLE PIECE CONSTRUCTION

LineaTec - Side View

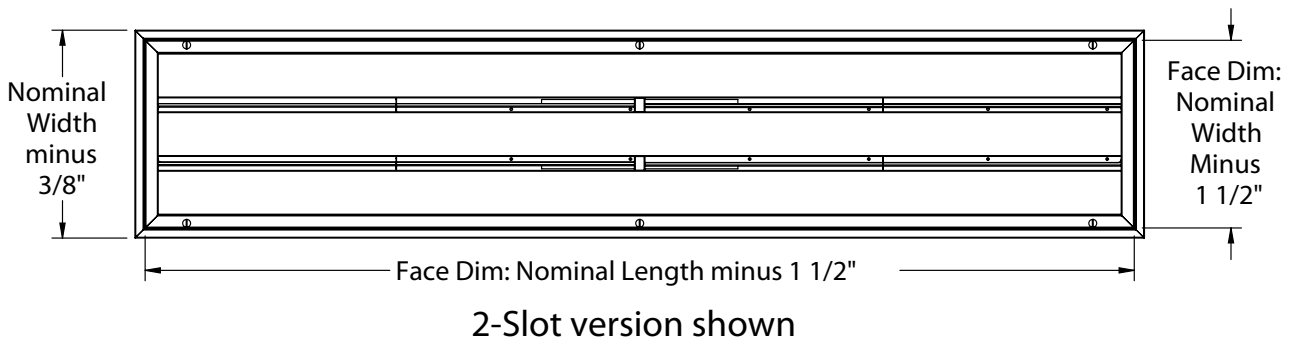


Note: Maximum single piece construction Nominal Length is 100"  
Minimum Nominal Length is 24"  
Inlets centered on section unless specified

LineaTec - End View



LineaTec - Face View

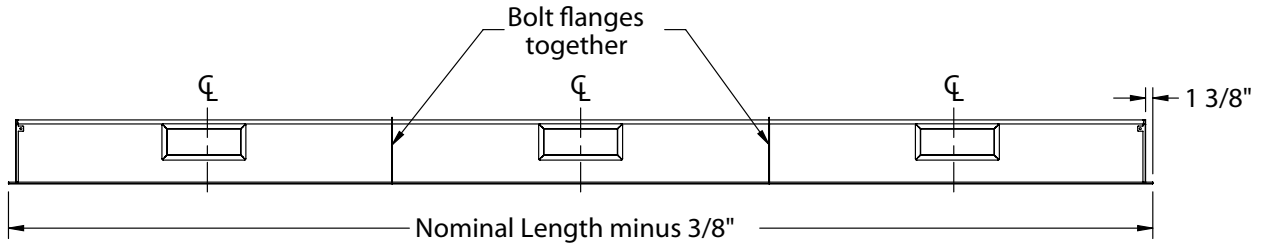


DIMENSIONS

Redefine your comfort zone.™ | www.titus-hvac.com

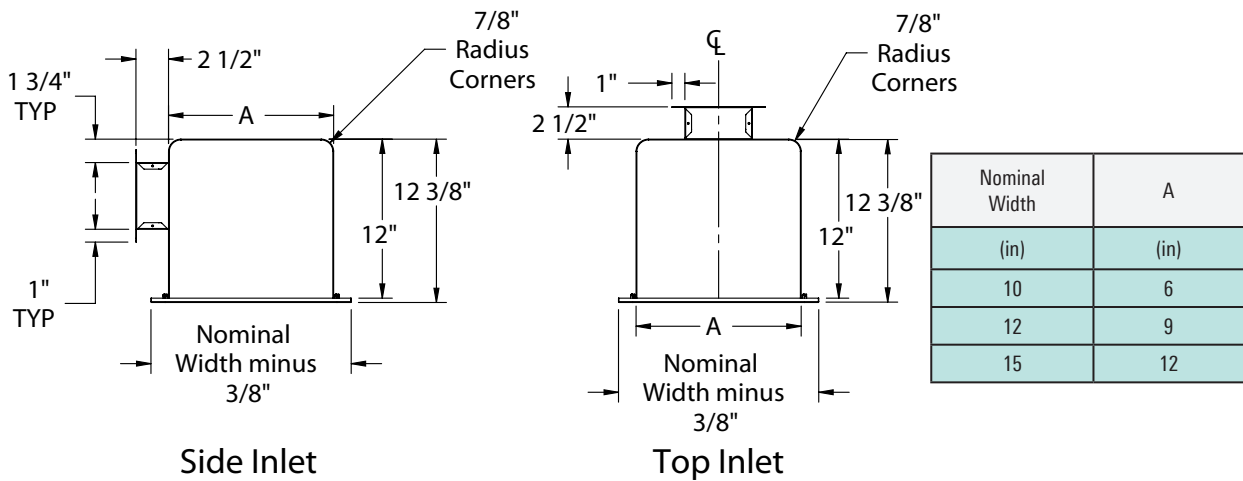
LINEATEC UNIT DIMENSIONS -MULTI-PIECE CONSTRUCTION

LineaTec - Side View

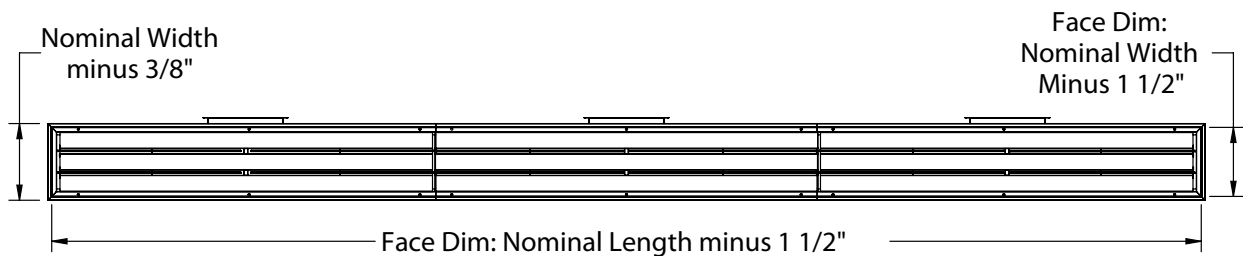


Note: Maximum single section length is 100"  
Inlets centered on section unless specified

LineaTec - End View



LineaTec - Face View



R

DIMENSIONS

LINEATEC UNIT DIMENSIONS - CONSTRUCTION DETAILS

