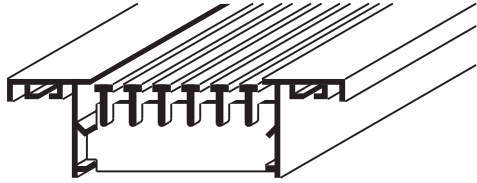


DIMENSIONS

Redefine your comfort zone.™ | www.titus-hvac.com

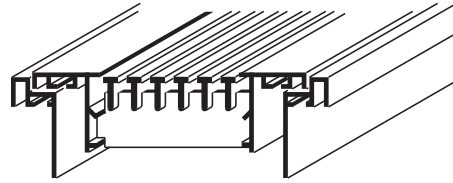
BORDERS & FRAMES - CORE COMBINATIONS

Core with Border



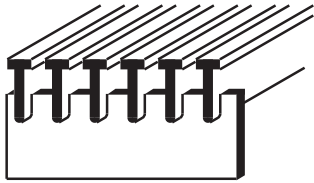
Type 13 border is shown. For other available types, please see F49.

Core with Border & Frame



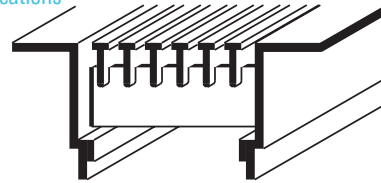
Type 1A frame & border combination is shown. For other available types, please see F50.

Core Only



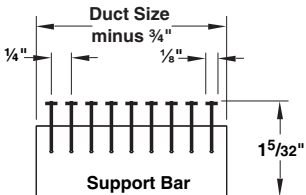
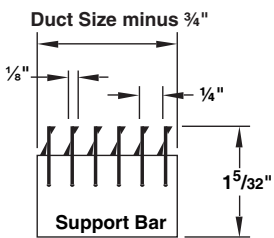
Model CT-540 core is shown. For other available models, please see below.

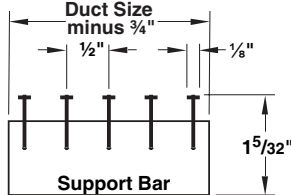
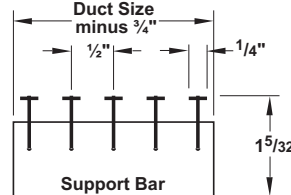
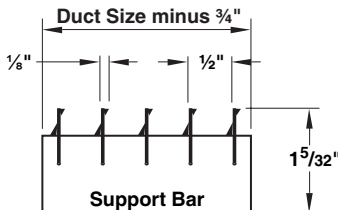
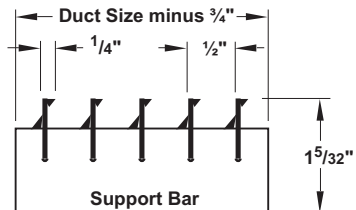
Core with Heavy Duty Mounting Frame for Floor Applications

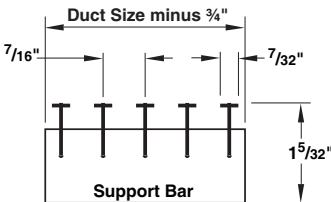
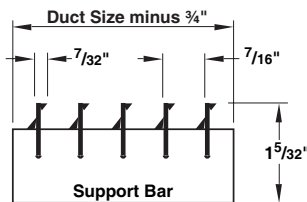


Type 5 heavy duty mounting frame is shown. For other available types, please see F50.

AVAILABLE CORES

1/4" Spacing
1/8" Bars
<p>Model CT-480 - 0° Deflection</p> 
<p>Model CT-481 - 15° Deflection</p> 

1/2" Spacing	
1/8" Bars	1/4" Bars
<p>Model CT-580 - 0° Deflection</p> 	<p>Model CT-540 - 0° Deflection</p> 
<p>Model CT-581 - 15° Deflection</p> 	<p>Model CT-541 - 15° Deflection</p> 
See Note	

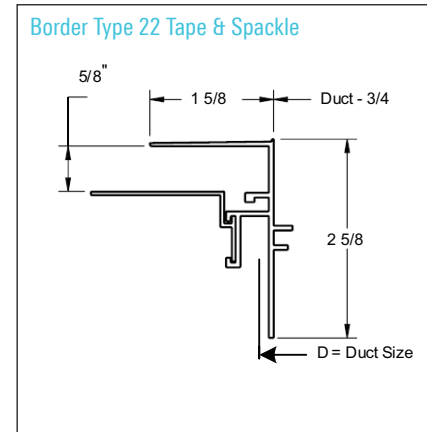
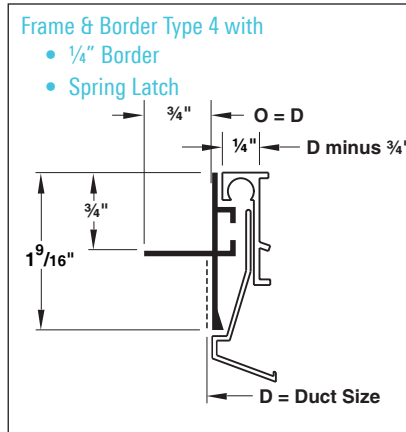
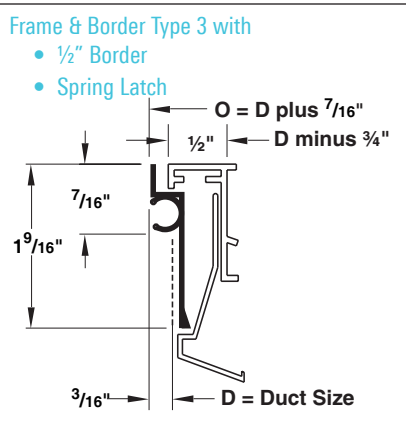
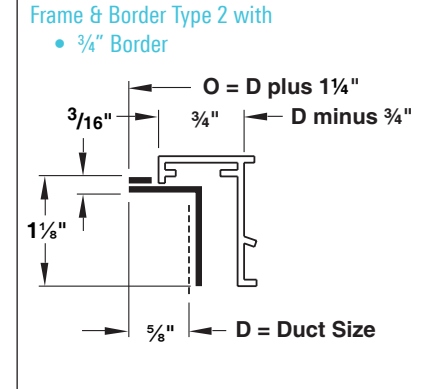
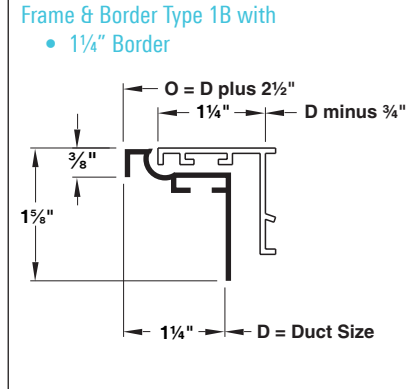
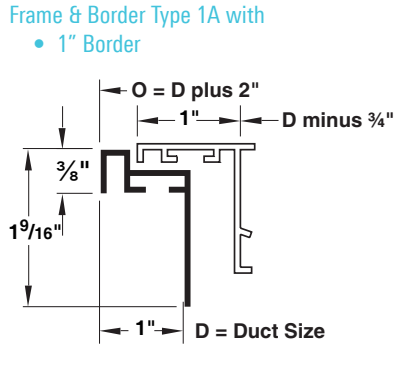
Pencil Proof	
<p>Model CT-PP-0 - 0° Deflection</p> 	<p>Model CT-PP-3 - 30° Deflection</p> 
See Note	

Note: Not recommended for floor applications with heavy loads or high traffic. See page F53 for maximum floor loading.

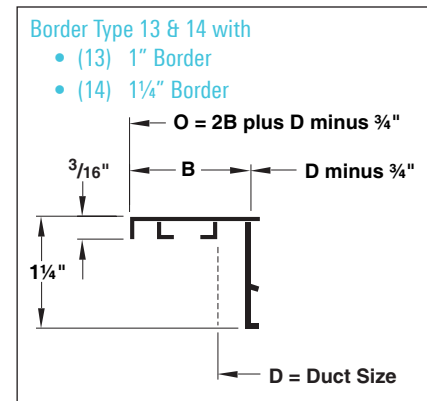
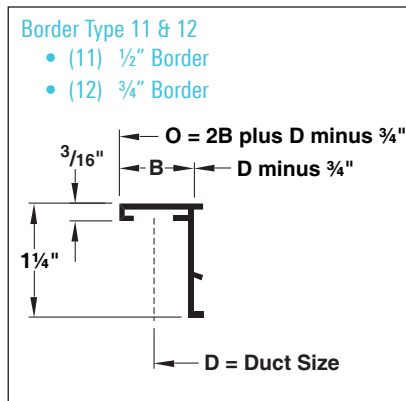
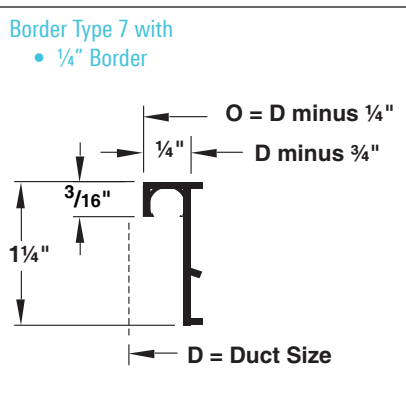
All dimensions are in inches

F

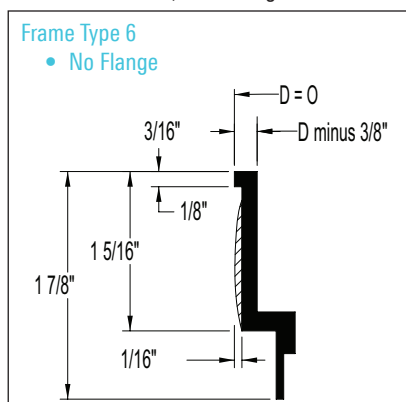
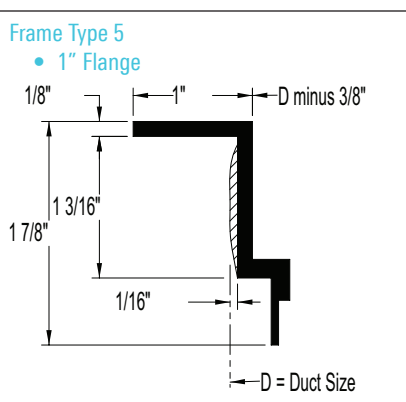
DIMENSIONS



**BORDER TYPES**



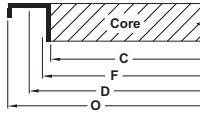
**HEAVY DUTY MOUNTING FRAMES FOR FLOOR APPLICATIONS** (see loading limitations Submittal D-CT-HD)



DIMENSIONS

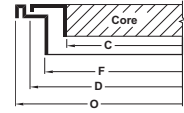
Redefine your comfort zone.™ | www.titus-hvac.com

**Border Types**  
(Type 11 Shown)



Type	F Border Length	O Overall Length	C Core Opening Length
5	D	D plus 1 <sup>5</sup> / <sub>8</sub>	D minus 3 <sup>3</sup> / <sub>8</sub>
6	D	D	D minus 3 <sup>3</sup> / <sub>8</sub>
7	D minus 5 <sup>5</sup> / <sub>8</sub>	D minus 1 <sup>1</sup> / <sub>4</sub>	D minus 3 <sup>3</sup> / <sub>4</sub>
11	D minus 5 <sup>5</sup> / <sub>8</sub>	D plus 1 <sup>1</sup> / <sub>4</sub>	D minus 3 <sup>3</sup> / <sub>4</sub>
12	D minus 5 <sup>5</sup> / <sub>8</sub>	D plus 3 <sup>3</sup> / <sub>4</sub>	D minus 3 <sup>3</sup> / <sub>4</sub>
13	D minus 5 <sup>5</sup> / <sub>8</sub>	D plus 1 <sup>1</sup> / <sub>4</sub>	D minus 3 <sup>3</sup> / <sub>4</sub>
14	D minus 5 <sup>5</sup> / <sub>8</sub>	D plus 1 <sup>3</sup> / <sub>4</sub>	D minus 3 <sup>3</sup> / <sub>4</sub>
22	D minus 5 <sup>5</sup> / <sub>8</sub>	D plus 2 <sup>1</sup> / <sub>2</sub>	D minus 3 <sup>3</sup> / <sub>4</sub>

**Frame & Border Type**  
(Type 1A & 1B Shown)



Type	F Frame Length	O Overall Length	C Core Opening Length
1A	D	D plus 2	D minus 3 <sup>3</sup> / <sub>4</sub>
1B	D	D plus 2 1 <sup>1</sup> / <sub>2</sub>	D minus 3 <sup>3</sup> / <sub>4</sub>
2	D	D plus 1 1 <sup>1</sup> / <sub>4</sub>	D minus 3 <sup>3</sup> / <sub>4</sub>
3	D	D plus 7 <sup>7</sup> / <sub>16</sub>	D minus 3 <sup>3</sup> / <sub>4</sub>
4	D	D	D minus 3 <sup>3</sup> / <sub>4</sub>

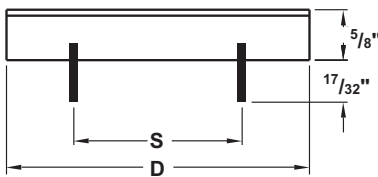
**MAXIMUM FLOOR LOADING**

(Frames 5 and 6 with standard support bars on 6" centers)

Model	Max. Vertical Distributed Load (lbs./in. <sup>2</sup> )	Max. Vertical Live Load (lbs./ft. <sup>2</sup> )	Max. Horizontal Load (lbs.)
CT-480/CT-481	300	300	50
CT-580/CT-581	200	200	50
CT-540/CT-541	250	250	50
CT-PP-0/CT-PP-3	250	250	50

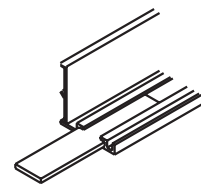
Note: If placing furniture on cores, furniture legs should be a minimum of core spacing plus two bars wide to avoid placing a horizontal load on cores. Maximum duct width available is 12".

**CORE ONLY OPTION**



S = 9" maximum support bar spacing  
D = 72" maximum for one piece  
Core Only is an option available for field framing  
Standard widths are as shown  
See page F51 for core details. Core will ship 3<sup>3</sup>/<sub>4</sub>" smaller than the duct width.

**ALIGNMENT STRIPS**

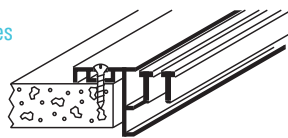


Used with border width 1/2" or wider. Alignment pins used with 1/4" borders.

**AVAILABLE FASTENINGS**

**Type A**

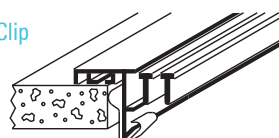
- Screw Holes



For ceiling, side wall, sill, or floor. Used with Frame & Border Types 1B, 5, 11, 12, 13, 14.

**Type B**

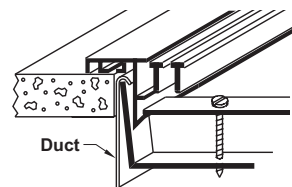
- Spring Clip



For sill installations. Used with Frame & Border Types 11, 12, 13, 14. Must use AG-35B Damper instead of AG-35.

**Type C**

- Concealed Fastening



For ceiling, side wall, or sill. Used with Frame and Border Types 1A, 1B, 2, 3, 4, 7, 11, 12, 13, 14, & Border Type 22

**ADDITIONAL REINFORCING (Optional)**

(Except frame types 5 and 6)

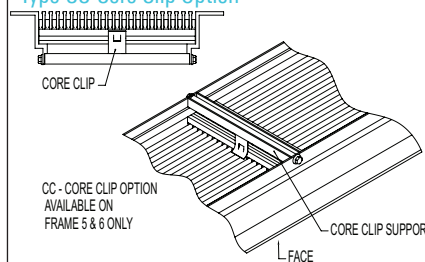
**Type H - Optional Heavy Duty Core (Note)**



Optional Heavy Duty Core has support bars on 6" maximum centers. (Standard core has 9" maximum centers.) See maximum floor loading shown above.

Note: Frame types 5 and 6 have support bars on 6" centers as standard.

**Type CC-Core Clip Option**



CC - CORE CLIP OPTION  
AVAILABLE ON  
FRAME 5 & 6 ONLY

**Notes:**

- Used without spring latch in Frame & Border Types 3 and 4.
- Not for use with Cores CT-480 and CT-481 (1/4" bar spacing). Screwdriver will not fit between bars.

All dimensions are in inches