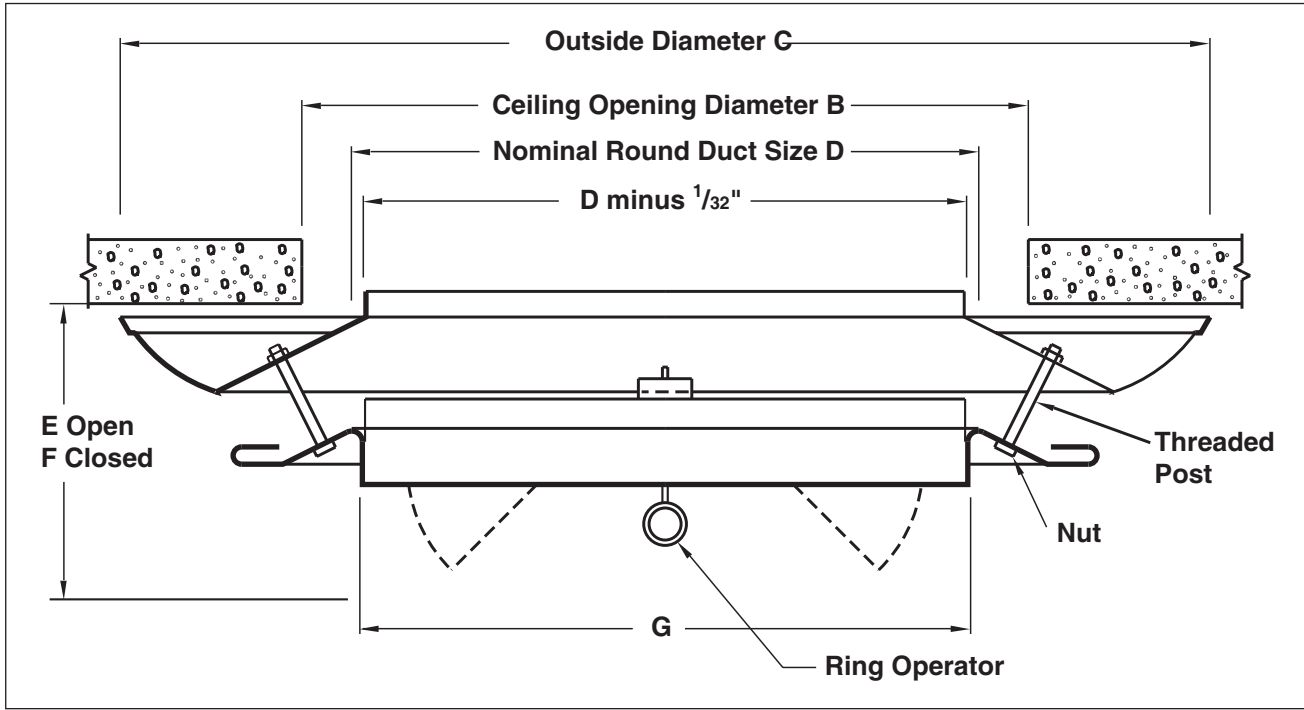


XC-310 UNIT DIMENSIONS



Nominal Round Duct Size D	B	C	E	F	G
10	10½	18¼	7½	3	10
12	12½	22	9¾	4	12
14	14½	26	6¾	4	14
16	16½	29	8½	5	16
18	18½	32½	9¼	5	18
20	20½	36	10¾	5½	20
24	24½	43¼	12¼	6⅝	24
30	30½	53⅝	13¾	8¼	30
36	36½	64¾	15⅝	10	36

F