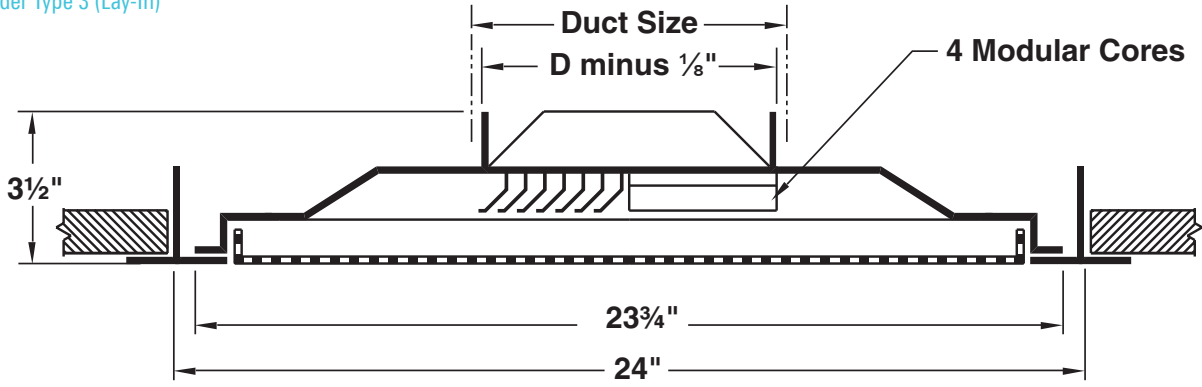


DIMENSIONS

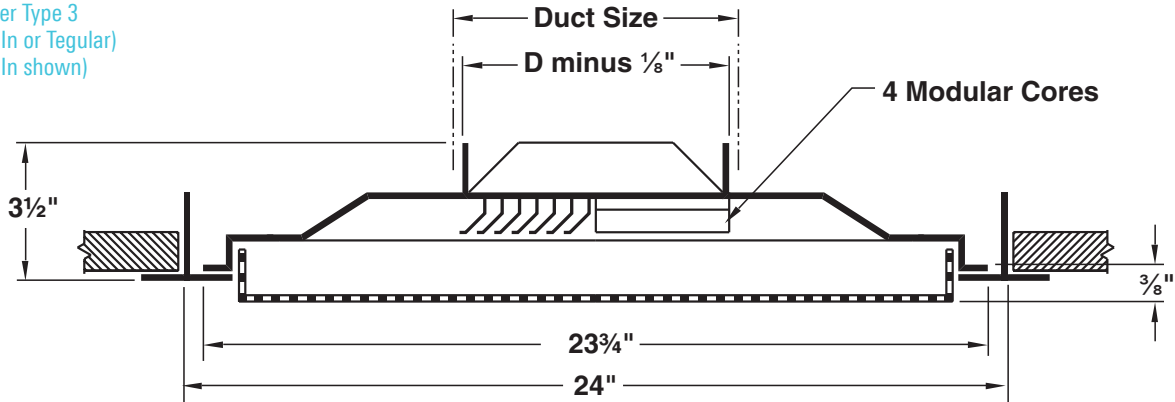
Redefine your comfort zone.™ | www.titus-hvac.com

PMC / PMC-DF / PMR UNIT DIMENSIONS

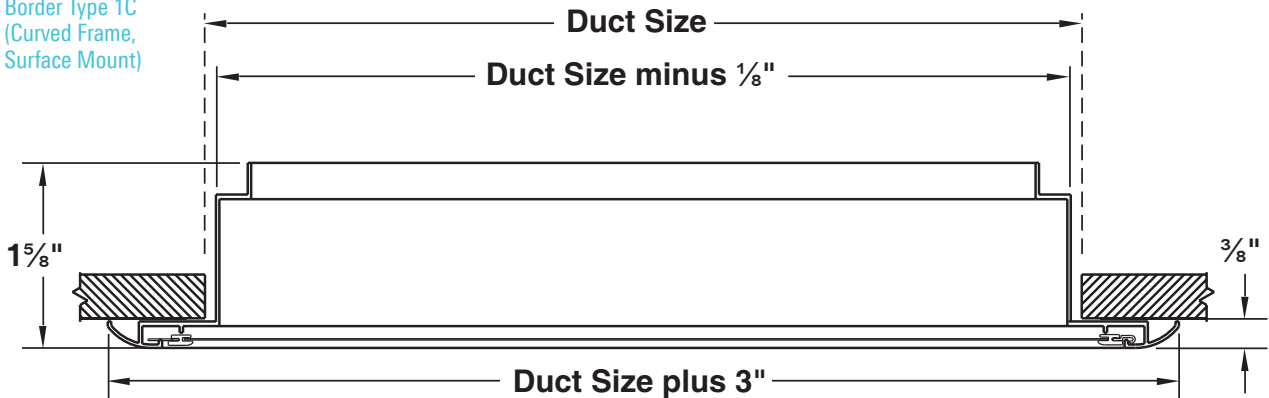
Model PMC  
Border Type 3 (Lay-In)



Model PMC-DF  
Border Type 3  
(Lay-In or Tegular)  
(Lay-In shown)



Model PMR  
Border Type 1C  
(Curved Frame,  
Surface Mount)



Note: For PMR Border Types 1 and 3 select the PAR return

F

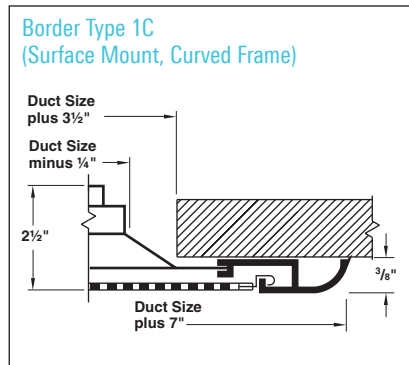
DIMENSIONS

### BORDER TYPES

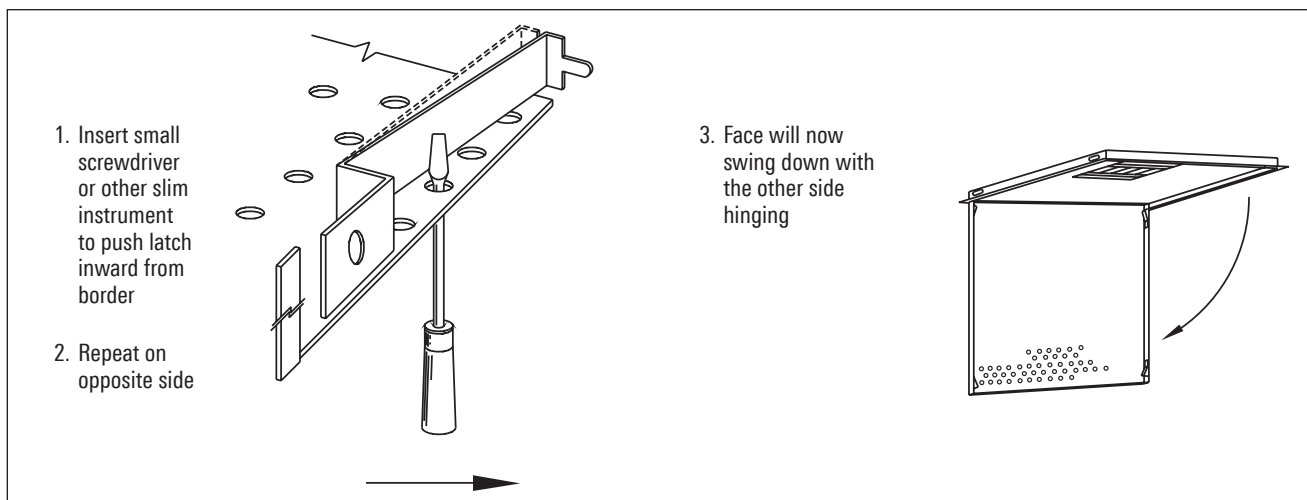
In addition to Border Type 3 (lay-in), as dimensioned on the preceding page, PMC diffusers are also available in border types for surface mounting applications

#### AVAILABLE DUCT SIZES

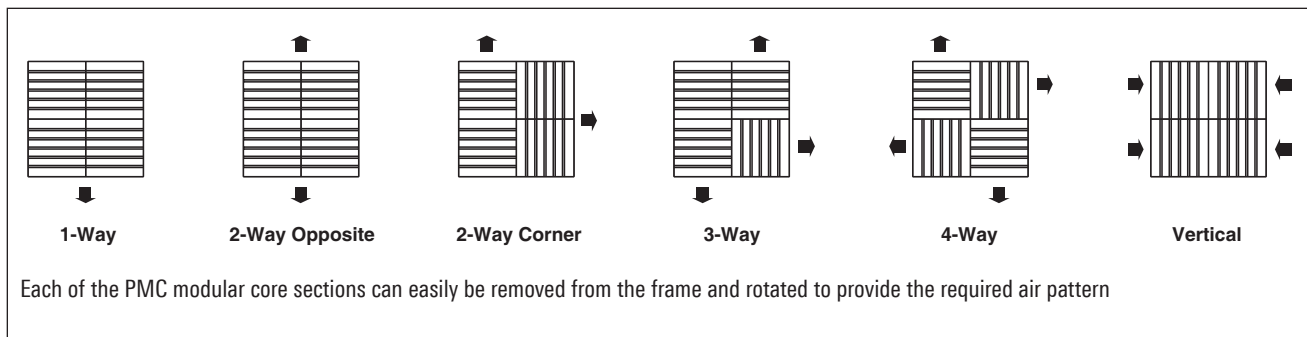
Border Types 3, 1C		PMR Module Border Type 1C			
Duct Sizes (inches)					
6 x 6	12 x 12	6 x 6	12 x 12	20 x 20	
8 x 8	14 x 14	8 x 8	14 x 14	22 x 22	
10 x 10	16 x 16	10 x 10	16 x 16	22 x 10	
	18 x 18		18 x 18	46 x 22	



#### REMOVING PERFORATED FACE - BORDER TYPE 3



#### MODULAR CORE ADJUSTMENTS



#### OPTIONAL MODEL AG-95 - OPPOSED-BLADE DAMPER

