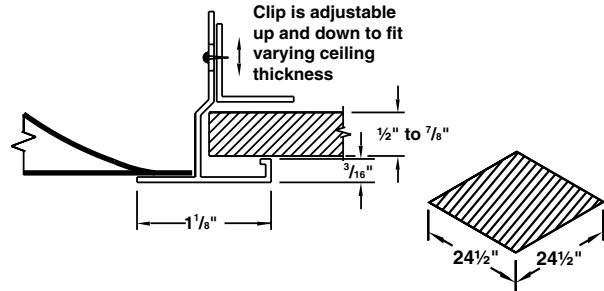


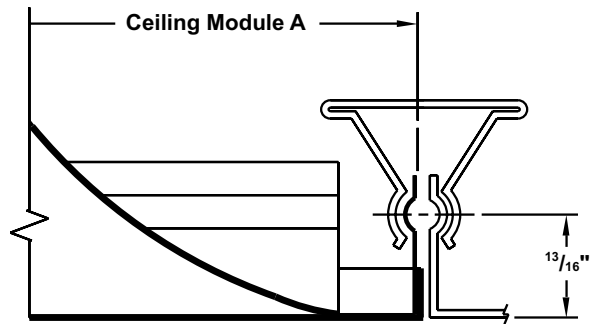
**BORDER TYPES**

**Border Type 1 Rapid Mount Frame (for surface mounting applications)**

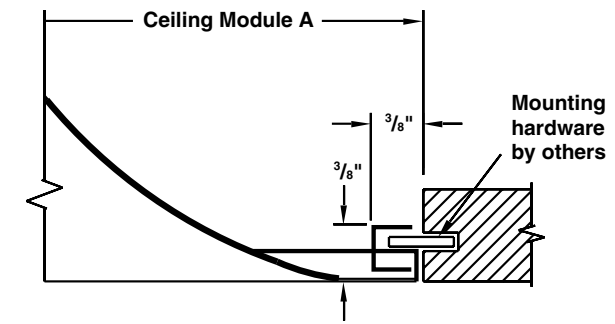
The T<sub>3</sub>SQ series of diffusers is not available with standard Border Type 1. For surface mounting applications, the TRM optional Rapid Mount Frame can be used. Using border option TRM, the T<sub>3</sub>SQ diffusers are shipped with Border Type 3 (lay-in). The TRM frame is shipped separately for field installation. Once the TRM is installed, the T<sub>3</sub>SQ diffuser simply lays into the frame. This option allows access into the ceiling after installation.



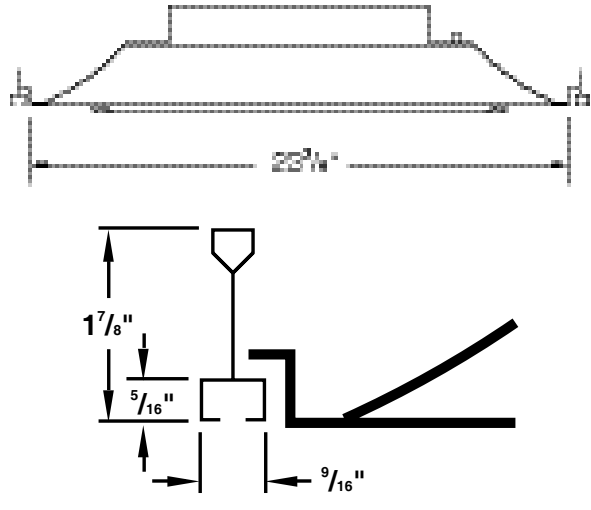
**Border Type 2 (Snap-In)**



**Border Type 4 (Splines)**



**Border Type NT**



**Face Plaque Installation**

Installation is completed by lining up the hooks on the face plaque assembly with the corresponding slot

Easy three step hook installation for the face plaque

