

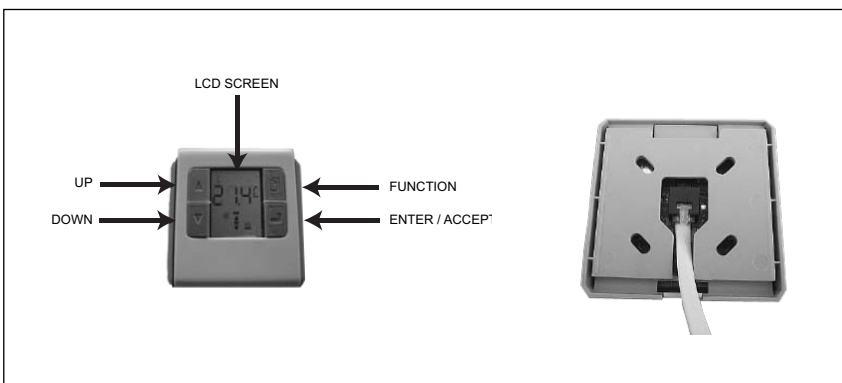
PRIMARY COMMUNICATION MODULE

- Available with Standard (Titus) communication module, BACnet.
- MCM is the central data collection and distribution point for up to 60 VAV field diffusers per module
- Features four diffuser channel inputs which can accommodate up to 15 diffusers per channel, per communication module (MCM)
- Interface software is designed as a commissioning tool as well as for data monitoring, logging, and fault finding
- Software is supplied with each shipment



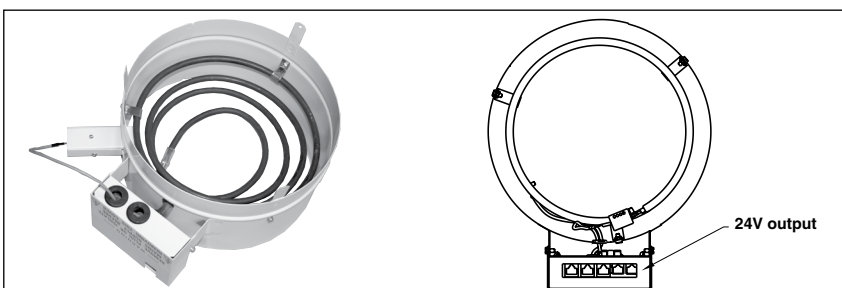
CONTROLLER/THERMOSTAT

- Each primary T3SQ-2 diffuser requires a controller / thermostat
- 24VAC RJ-12 control cable connection
- Room sensor with LCD display real time clock for night set-back & control disc position display
- Provides Setpoint Temperature adjustment & room temp display
- Interfaces with a USB module in order to interface with software for further functionality
- Dimensions are 3" x 3 1/4"



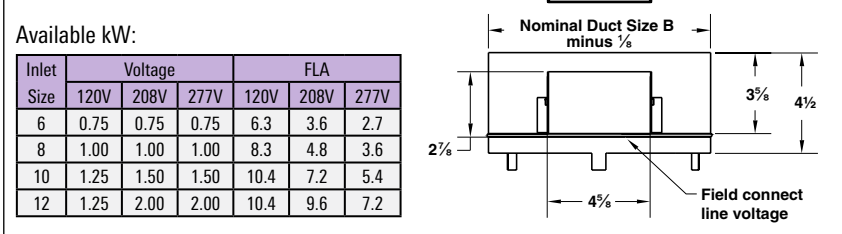
OPTIONAL INLET ELECTRIC HEATER

- Installs into neck of diffuser
- 120V, 208V or 277V single phase input power (field connect)
- Black heat element
- SCR modulating heater control
- Ships loose for field installation
- Integrated wiring interface box
- Automatic reset thermal cutout
- Manual reset secondary protection



Available kW:

Inlet Size	Voltage			FLA		
	120V	208V	277V	120V	208V	277V
6	0.75	0.75	0.75	6.3	3.6	2.7
8	1.00	1.00	1.00	8.3	4.8	3.6
10	1.25	1.50	1.50	10.4	7.2	5.4
12	1.25	2.00	2.00	10.4	9.6	7.2



CABLES (HEATER CONNECTION)

- Blue RJ-12 (8-pin straight through pinout) for control and power
- Modular connector that attaches the ribbon cable and RJ-12 to heater

RELIEF RINGS

- Used to bypass supply air into the ceiling plenum as the diffuser turns down
- Available for both digital and thermal configurations
- Effectively reduces inlet size by 2 inches

