

MP-TZ • 3/4" Slot – Supply Plenum

MPR-TZ • 3/4" Slot – Return Plenum

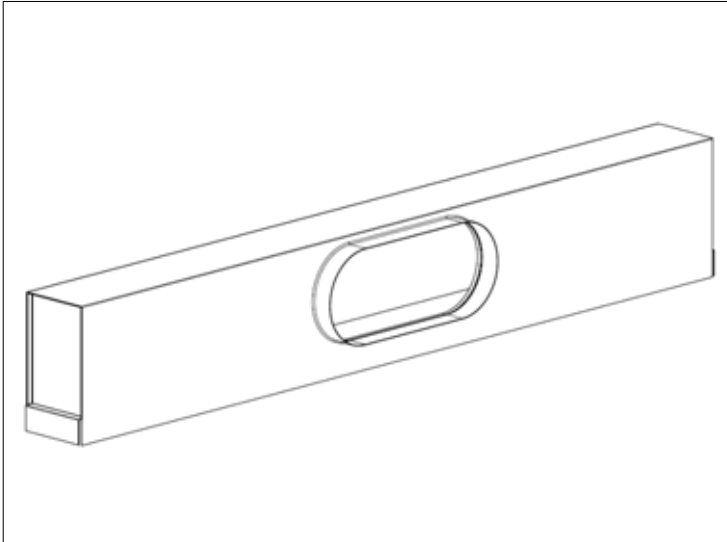
Border types: LT, DF, NT

Modulinear Plenums

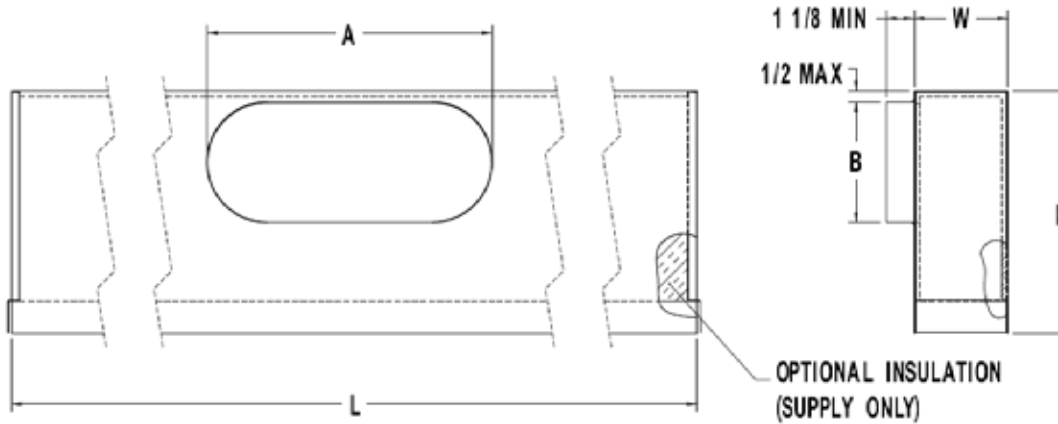
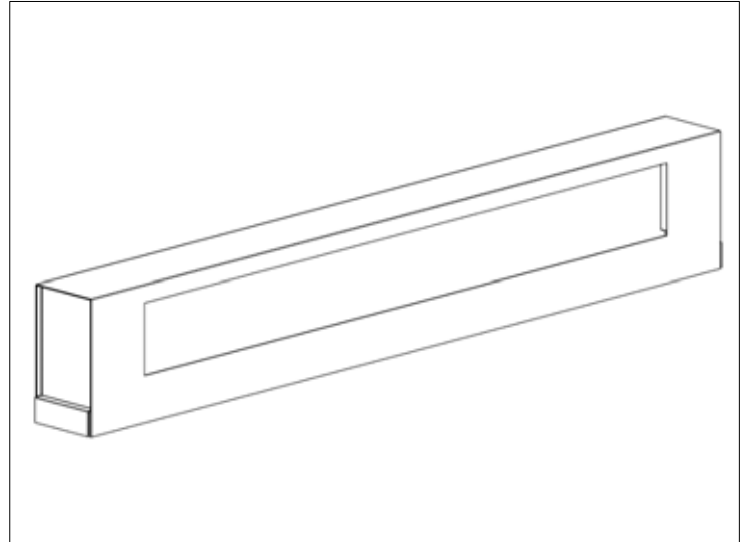
Supply and Return

For Armstrong TechZone™ ML-TZ and MLR-TZ Diffusers

MP-TZ Supply



MPR-TZ Return



NOMINAL LENGTH	L
24	23-1/8
30	29-1/8
36	35-1/8
48	47-1/8
60	59-1/8
72	71-1/8

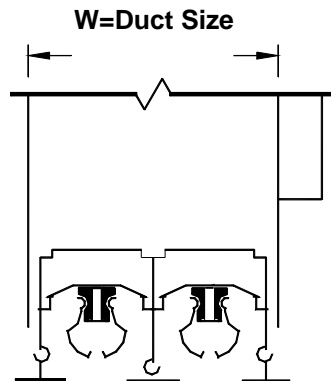
NO. OF SLOTS	W
1	1-7/16
2	2-11/16
3	4-1/8
4	5-7/16

INLET	A	B
6	6-1/4	5-1/4
8	9-3/8	
10	12-1/2	
12	15-5/8	D

PROFILE	H
LOW	8
HIGH	11

Installation Details

Border Type LT, DF & NT



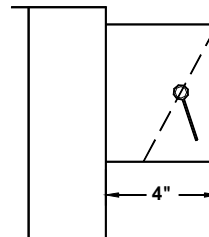
Accessories (optional)

Check if provided

Internal Insulation

MPI-TZ-INS • For ML-TZ/MLR-TZ

Model ID Inlet Damper



Note: Inlet damper is shipped loose.

General Description

- Model MP-TZ and MPR-TZ modulinear plenums are designed for field attachment to ML-TZ and MLR-TZ modulinear diffusers
- Plenums are designed to integrate with ML-TZ and MLR-TZ border types: LT, DF, and NT
- MP-TZ is a supply plenum with oval inlet for use with ML-TZ diffusers
- MPR-TZ is a return plenum with light shield for use with MLR-TZ diffusers
- Standard plenum lengths are 24", 30", 36", 48", 60" and 72"
- Available to fit ML-TZ and MLR-TZ diffusers in 1, 2, 3 or 4-slot configurations
- Available with optional internal insulation, model MPI-TZ (supply only)
- Material is steel

This submittal is meant to demonstrate general dimensions of this product. The drawings are not meant to detail every aspect of the product. Drawings are not to scale.

Titus reserves the right to make changes without written notice.

All rights reserved. No part of this work may be reproduced or transmitted in any form or by any means, electronic or mechanical, including photocopying and recording, or by any information storage retrieval system without permission in writing from Tomkins Industries, Inc.