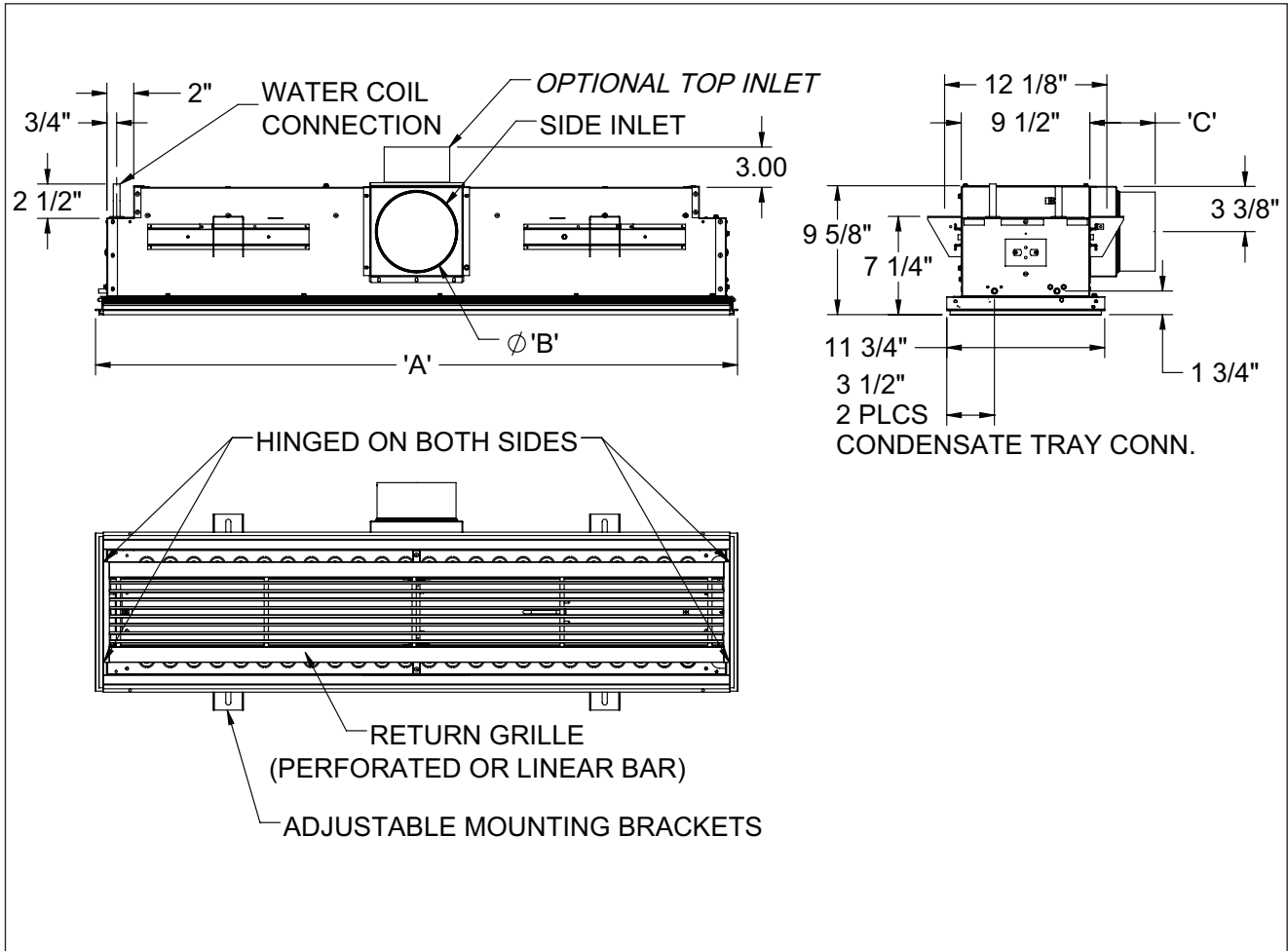


CBAL-12" UNIT DIMENSIONS



Nominal Unit Length (ft)	'A' (IN)
2	23 ³ / ₄
3	35 ³ / ₄
4	47 ³ / ₄
5	59 ³ / ₄
6	71 ³ / ₄
7	83 ³ / ₄
8	95 ³ / ₄
9	107 ³ / ₄
10	119 ³ / ₄

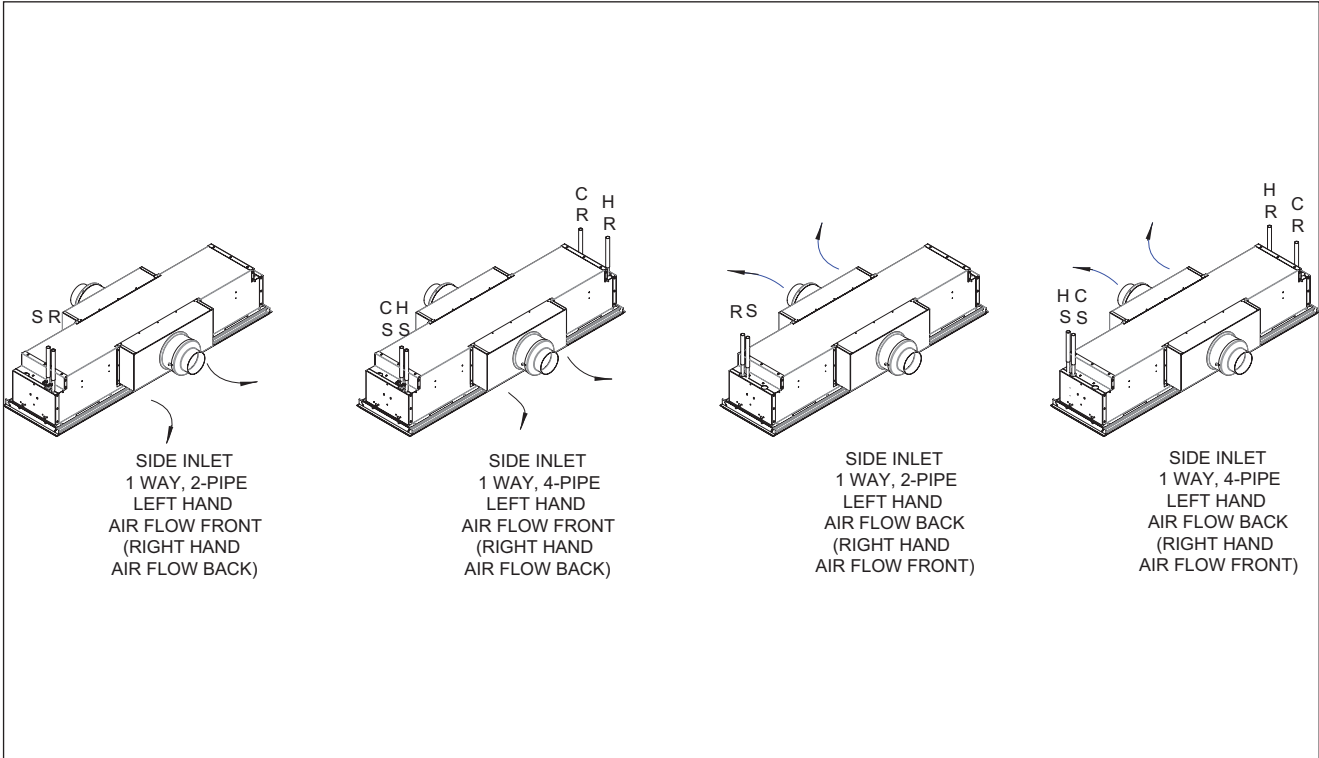
Nominal Inlet Dia. (ft)	'B' (IN)	'C' (IN)
4	3 ⁷ / ₈	7
5	4 ⁷ / ₈	4 ⁷ / ₈
6	5 ⁷ / ₈	4 ⁷ / ₈

*Side Inlet Only

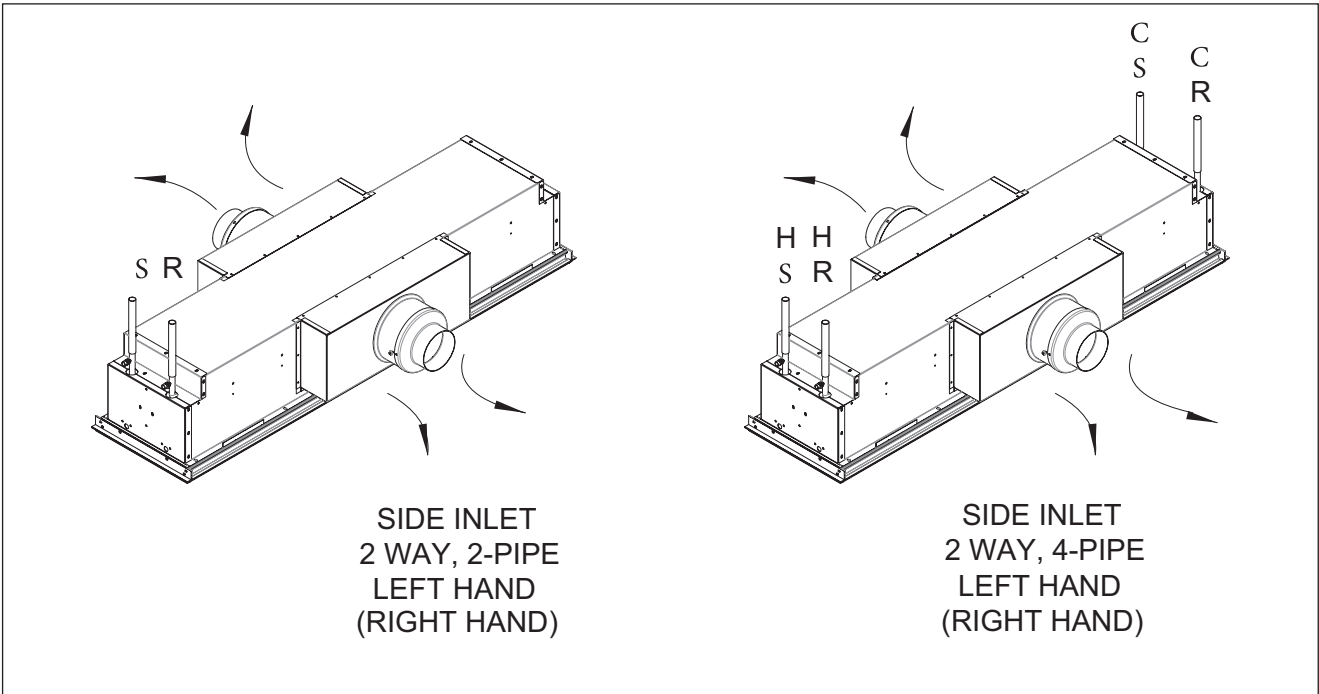
Integrated 1/4" pressure port for balancing/commissioning accessible from roomside



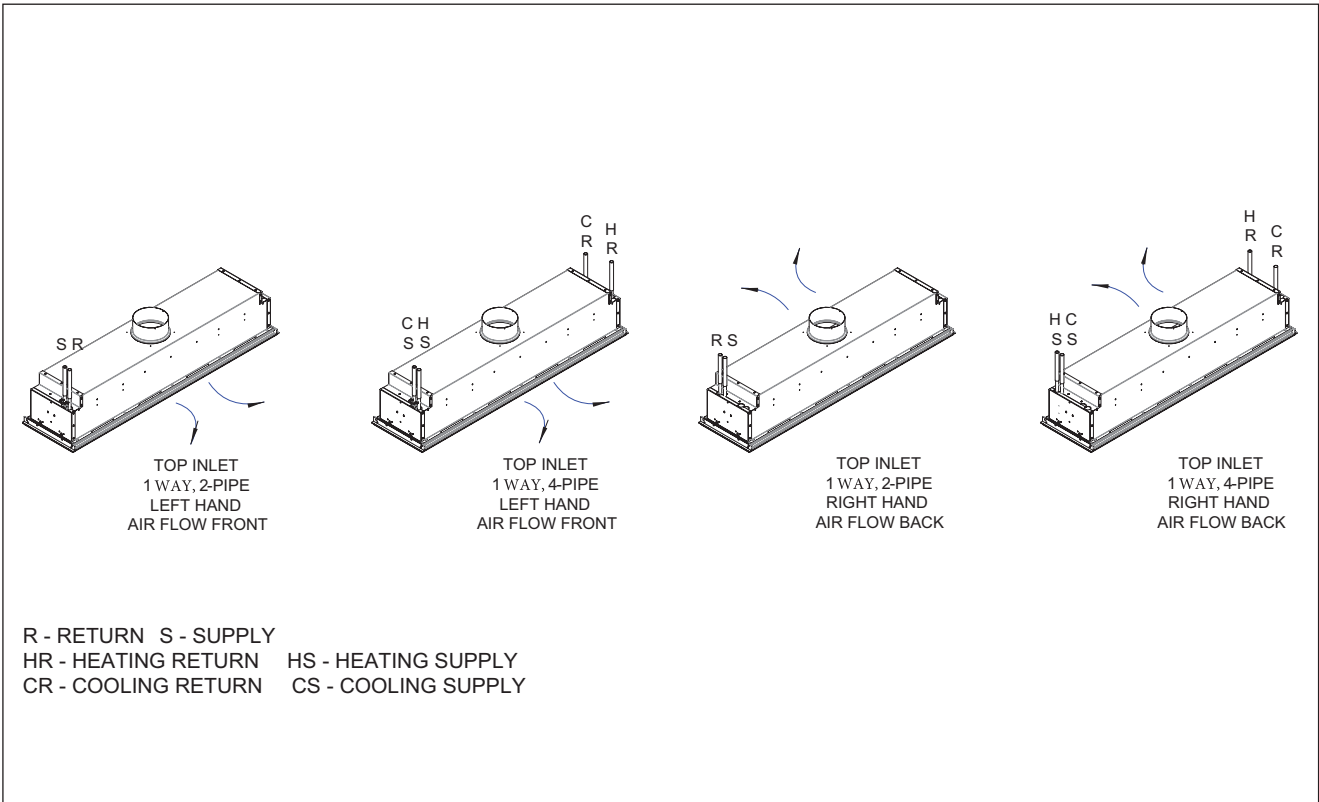
CBAL-12" CASING ARRANGEMENTS / SIDE INLET 1-WAY



CBAL-12" CASING ARRANGEMENTS / SIDE INLET 2-WAY



CBAL-12" CASING ARRANGEMENTS / TOP INLET 1-WAY



CBAL-12" CASING ARRANGEMENTS / TOP INLET 2-WAY

