

D-75

- Mounts directly to the diffuser neck. Three sets of gang operated opposed blades distribute air evenly over the diffuser face. Quickly, easily adjusted from the face side of the diffuser.
- Galvanized steel material



D-75



air balancing

MODEL:

D-75

FINISH:

Standard Finish - #04 Mill



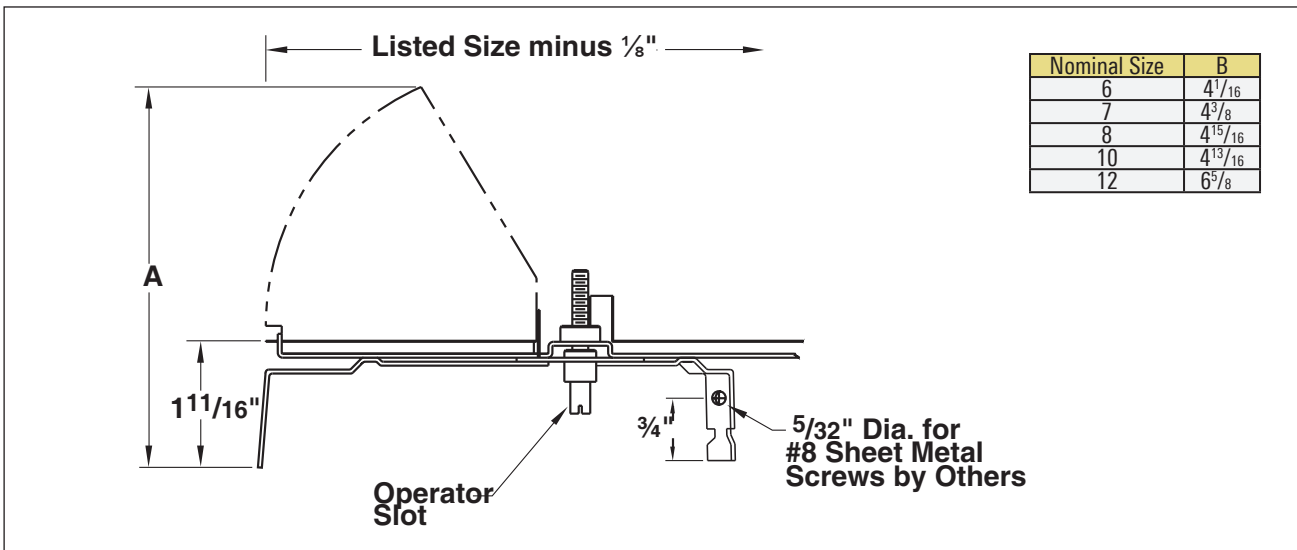
See website for Specifications

OVERVIEW

Opposed Blade

Effective air balancing begins with the balancing provisions that are designed into the HVAC system. Titus balancing devices are easy to select and specify. They are designed for quick access and adjustment and are engineered for the least possible noise, turbulence and air resistance. Titus makes available published flow factors for all Titus diffusers. This allows precision balancing to be performed in the field with accuracy based on prior test results.

Note: For 6", 7", 8", 10", and 12" Round Necks.



All dimensions are in inches