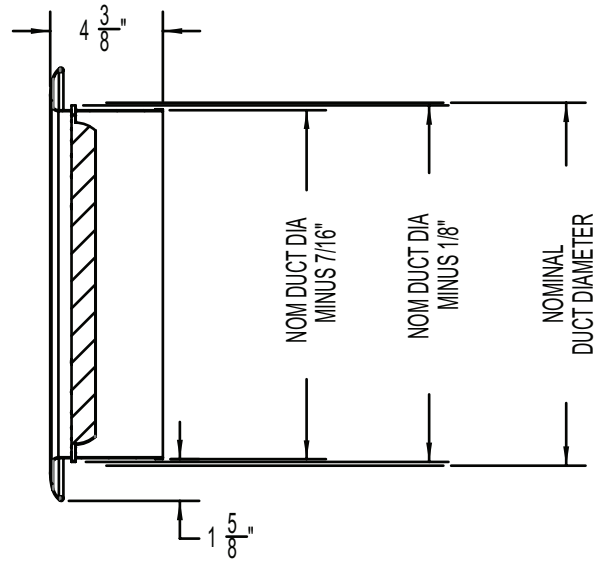
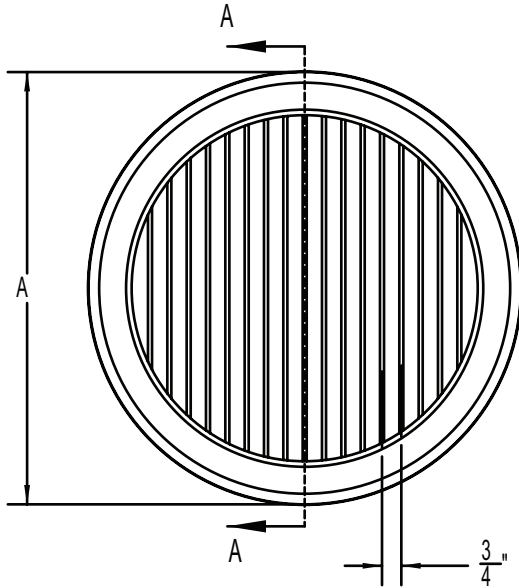


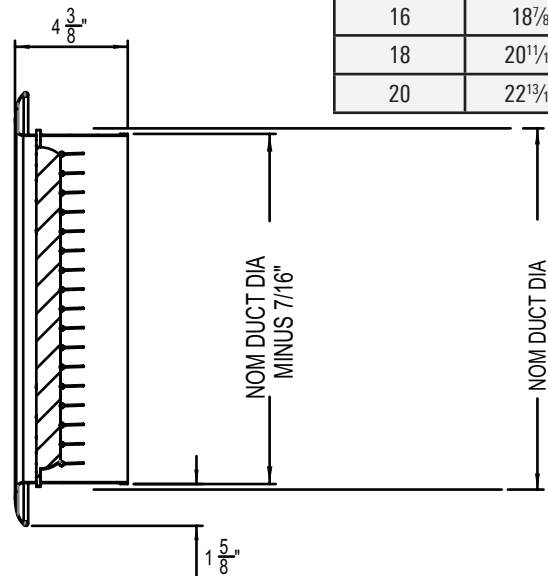
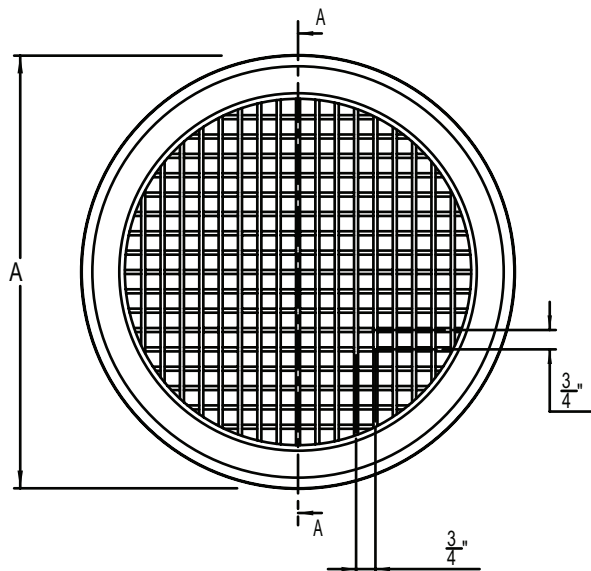
R-301F / R-300F DIMENSIONS

Single Deflection Model R-301F



SECTION A-A

Double Deflection Model R-300F



SECTION A-A

Nominal Duct Diameter	A
6	$8\frac{7}{8}$
8	$10\frac{7}{16}$
10	$12\frac{11}{16}$
12	$14\frac{15}{16}$
14	$16\frac{7}{8}$
16	$18\frac{7}{8}$
18	$20\frac{11}{16}$
20	$22\frac{13}{16}$