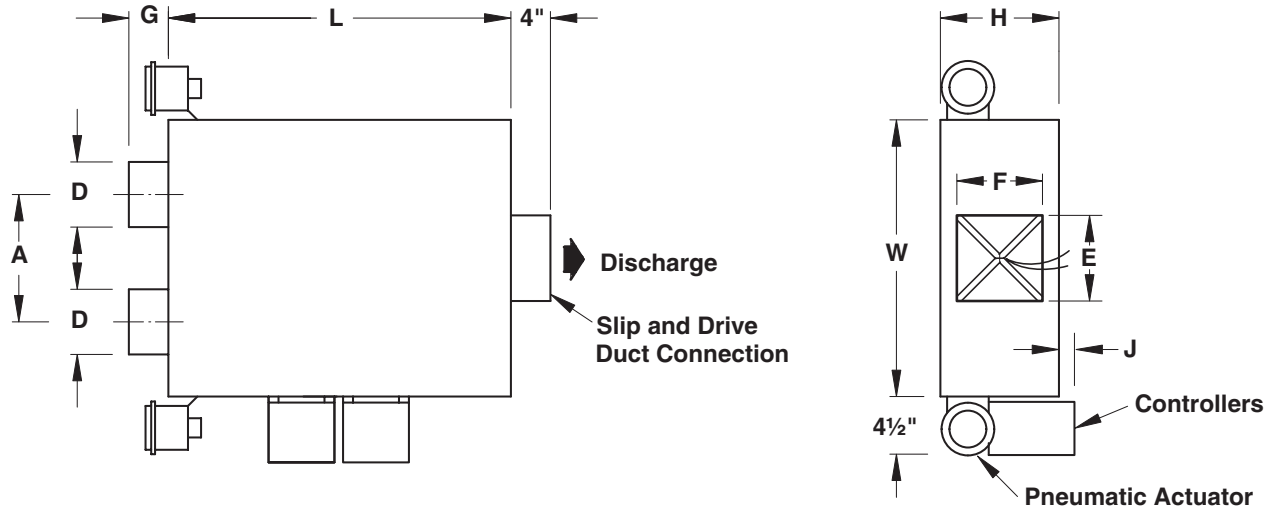
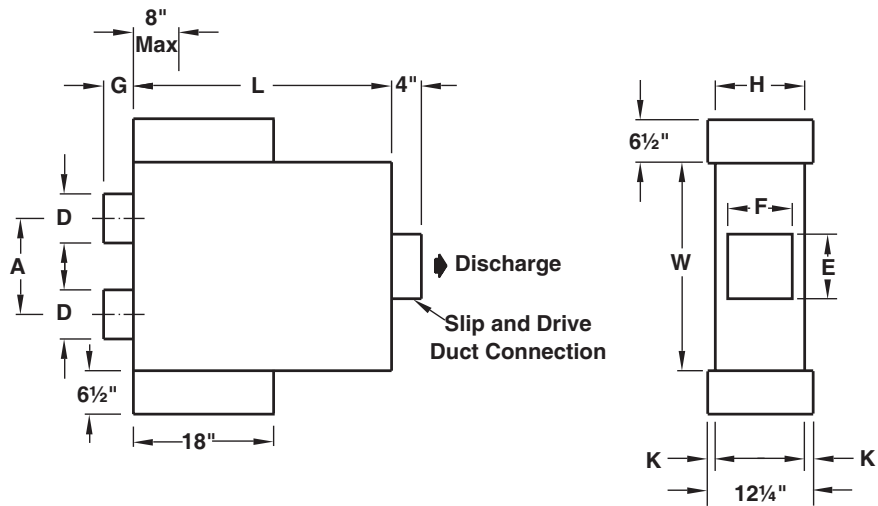


MDV / MDC UNIT DIMENSIONS

PMDV/PMDC - Basic Unit with Controls



DMDV - Basic Unit with Controls



| Inlet Size | cfm Range | A | D | E | F | G | H | L | W | PMDV J | DMDV K |
|------------|-----------|--------------------------------|--------------------------------|--------------------------------|--------------------------------|-------------------------------|--------------------------------|----|----|-------------------------------|--------|
| 4 | 0-225 | 8 ⁷ / ₈ | 3 ⁷ / ₈ | 5 ⁷ / ₈ | 5 ⁷ / ₈ | 5 ³ / ₈ | 8 ¹ / ₄ | 34 | 19 | 1 ⁷ / ₈ | 2 |
| 5 | 0-350 | 8 ⁷ / ₈ | 4 ⁷ / ₈ | 5 ⁷ / ₈ | 5 ⁷ / ₈ | 5 ³ / ₈ | 8 ¹ / ₄ | 34 | 19 | 1 ⁷ / ₈ | 2 |
| 6 | 0-500 | 8 ⁷ / ₈ | 5 ⁷ / ₈ | 5 ⁷ / ₈ | 5 ⁷ / ₈ | 3 ³ / ₈ | 8 ¹ / ₄ | 34 | 19 | 1 ⁷ / ₈ | 2 |
| 7 | 0-650 | 10 ⁷ / ₈ | 6 ⁷ / ₈ | 7 ¹ / ₈ | 8 ¹ / ₈ | 6 ³ / ₄ | 10 ¹ / ₄ | 42 | 23 | 7 ⁷ / ₈ | 1 |
| 8 | 0-900 | 10 ⁷ / ₈ | 7 ⁷ / ₈ | 7 ¹ / ₈ | 8 ¹ / ₈ | 3 ³ / ₈ | 10 ¹ / ₄ | 42 | 23 | 7 ⁷ / ₈ | 1 |
| 9 | 0-1050 | 12 ⁷ / ₈ | 8 ⁷ / ₈ | 10 ¹ / ₈ | 11 ¹ / ₈ | 6 ³ / ₄ | 12 ³ / ₄ | 50 | 27 | - | - |
| 10 | 0-1400 | 12 ⁷ / ₈ | 9 ⁷ / ₈ | 10 ¹ / ₈ | 11 ¹ / ₈ | 3 ³ / ₈ | 12 ³ / ₄ | 50 | 27 | - | - |
| 12 | 0-2000 | 14 ⁷ / ₈ | 11 ⁷ / ₈ | 11 ¹ / ₈ | 13 ³ / ₈ | 3 ³ / ₈ | 15 ¹ / ₄ | 58 | 31 | - | - |
| 14 | 0-3000 | 16 ⁷ / ₈ | 13 ³ / ₈ | 12 ¹ / ₂ | 16 ¹ / ₈ | 3 ³ / ₈ | 18 ¹ / ₈ | 66 | 35 | - | - |
| 16 | 0-4000 | 18 ⁷ / ₈ | 15 ⁷ / ₈ | 15 ¹ / ₈ | 16 ¹ / ₈ | 3 ³ / ₈ | 18 ¹ / ₈ | 72 | 38 | - | - |