

Modulinear Plenum Adapters for ML Modulinear Diffusers

- MP-37 • 13 mm Slot MPI-37 • 13 mm Slot • Insulated
- MP-38 • 19 mm Slot MPI-38 • 19 mm Slot • Insulated
- MP-39 • 25 mm Slot MPI-39 • 25 mm Slot • Insulated
- MP-40 • 38 mm Slot MPI-40 • 38 mm Slot • Insulated

Model MP Modulinear Plenum for ML/MLR
Border Type

- 1A
- 1B
- 9A
- 9B
- 12
- 15
- 22

Optional Internal Insulation (MPI Models)

| Standard Inlet Size | Dimensions | |
|---------------------|------------|-----|
| | A | B |
| 6 Oval | 159 | 133 |
| 8 Oval | 238 | 133 |
| 10 Oval | 318 | 133 |
| 12 Oval | 359 | 200 |

Note: End caps not insulated.

| H | LP | HP |
|------|-----|-----|
| (mm) | 194 | 270 |

| ML/MLR Type | Width | | | | | | | |
|-------------|-----------------|-------|-------|-------|-------|-------|-------|-------|
| | Number of Slots | | | | | | | |
| | 1 | 2 | 3 | 4 | 5 | 6 | 7 | 8 |
| MP-37 | 36.5 | 68.3 | 100.0 | 131.8 | 163.5 | 195.3 | 227.0 | 258.8 |
| MP-38 | 42.9 | 81.0 | 119.1 | 157.2 | 195.3 | 233.4 | 271.5 | 309.6 |
| MP-39 | 49.2 | 93.7 | 138.1 | 182.6 | 227.0 | 271.5 | 315.9 | 360.4 |
| MP-40 | 61.9 | 119.1 | 176.2 | 233.4 | N/A | N/A | N/A | N/A |

| Standard Inlets | | |
|--------------------------|----------------------------------|-----------------------------------|
| Nominal Length (N) in mm | Low Profile (LP) Units Oval (mm) | High Profile (HP) Units Oval (mm) |
| 610, 914 | 152, 203 | 152, 203 |
| 1219, 1524, 1829 | 152, 203, 254 | 152, 203, 254, 305 |

| ML/MLR End Fabrication | L |
|------------------------|--------|
| | |
| XY | N-22.3 |
| YY | N-6.4 |
| ZZ | N-6.4 |

Model MP Modulinear Plenum for ML/MLR
Border Type

- 2A
- 2B

Optional Internal Insulation (MPI Models)

| Standard Inlet Size | Dimensions | |
|---------------------|------------|-----|
| | A | B |
| 6 Oval | 159 | 133 |
| 8 Oval | 238 | 133 |
| 10 Oval | 318 | 133 |
| 12 Oval | 359 | 200 |

Note: End caps not insulated.

| Standard Inlets | | |
|--------------------------|----------------------------------|-----------------------------------|
| Nominal Length (N) in mm | Low Profile (LP) Units Oval (mm) | High Profile (HP) Units Oval (mm) |
| 610, 914 | 152, 203 | 152, 203 |
| 1219, 1524, 1829 | 152, 203, 254 | 152, 203, 254, 305 |

| ML/MLR Type | Width | | | | | | | |
|-------------|-----------------|-------|-------|-------|-------|-------|-------|-------|
| | Number of Slots | | | | | | | |
| | 1 | 2 | 3 | 4 | 5 | 6 | 7 | 8 |
| MP-37 | 55.6 | 87.3 | 119.1 | 150.8 | 182.6 | 214.3 | 246.1 | 277.8 |
| MP-38 | 61.9 | 100.0 | 138.1 | 176.2 | 214.3 | 252.4 | 290.5 | 328.6 |
| MP-39 | 68.3 | 112.7 | 157.2 | 201.6 | 246.1 | 290.5 | 335.0 | 379.4 |
| MP-40 | 81.0 | 138.1 | 195.3 | 252.4 | N/A | N/A | N/A | N/A |

| ML/MLR End Fabrication | L |
|------------------------|--------|
| | |
| XY | N-22.3 |
| YY | N-6.4 |
| ZZ | N-6.4 |

| H | LP | HP |
|-------|-----|-----|
| (in.) | 204 | 280 |

Model MP Modulinear Plenum for ML/MLR

Border Type

- 3
- 4
- 6
- 7A
- 7B
- 11

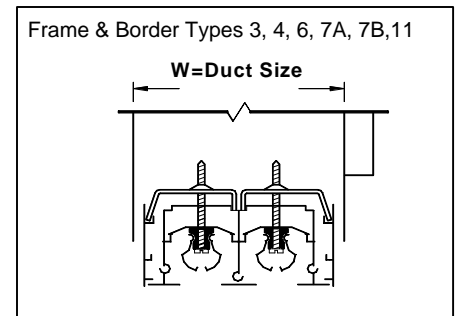
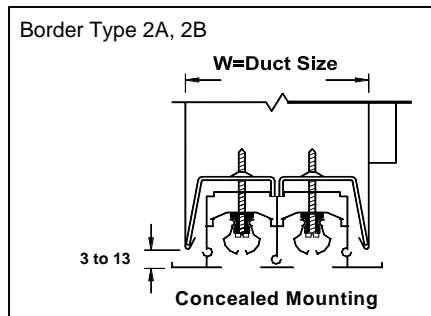
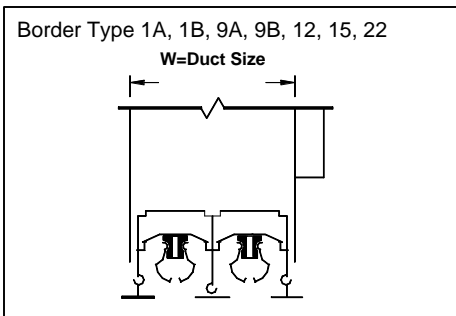
| H (mm) | LP | HP | Standard Inlet Size | Dimensions | |
|--------|----|-----|---------------------|------------|-----|
| 194 | | 270 | | A | B |
| | | | 6 Oval | 159 | 133 |
| | | | 8 Oval | 238 | 133 |
| | | | 10 Oval | 318 | 133 |
| | | | 12 Oval | 359 | 200 |

| Standard Inlets | | |
|--------------------------|----------------------------------|-----------------------------------|
| Nominal Length (N) in mm | Low Profile (LP) Units Oval (mm) | High Profile (HP) Units Oval (mm) |
| 610, 914 | 152, 203, 254 | 152, 203, 254 |
| 1219, 1524, 1829 | 152, 203, 254 | 152, 203, 254, 305 |

| ML/MLR End Fabrication | L |
|------------------------|-------|
| XX | N-6.4 |
| XY | N-6.4 |
| YY | N-6.4 |
| ZZ | N-6.4 |

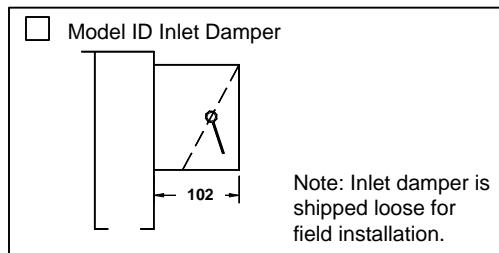
| ML/MLR Type | Width | | | | | | | |
|-------------|-----------------|-------|-------|-------|-------|-------|-------|-------|
| | Number of Slots | | | | | | | |
| | 1 | 2 | 3 | 4 | 5 | 6 | 7 | 8 |
| MP-37 | 55.6 | 87.3 | 119.1 | 150.8 | 182.6 | 214.3 | 246.1 | 277.8 |
| MP-38 | 61.9 | 100.0 | 138.1 | 176.2 | 214.3 | 252.4 | 290.5 | 328.6 |
| MP-39 | 68.3 | 112.7 | 157.2 | 201.6 | 246.1 | 290.5 | 335.0 | 379.4 |
| MP-40 | 81.0 | 138.1 | 195.3 | 252.4 | N/A | N/A | N/A | N/A |

Installation Details



Accessories (optional)

| Internal Insulation | | |
|---------------------------------|-----------------|--------------|
| <input type="checkbox"/> MPI-37 | • For ML/MLR-37 | • 13 mm Slot |
| <input type="checkbox"/> MPI-38 | • For ML/MLR-38 | • 19 mm Slot |
| <input type="checkbox"/> MPI-39 | • For ML/MLR-39 | • 25 mm Slot |
| <input type="checkbox"/> MPI-40 | • For ML/MLR-40 | • 38 mm Slot |



General Description

- Model MP modulinear plenums are tailored for field attachment to ML or MLR modulinear diffusers.
- End caps can be turned up to allow installing the MP on continuous runs of ML diffuser.
- Available to fit ML or MLR 1-8 slot units.
- Material is steel.
- Can be selected to integrate with all ML or MLR frame and border types.
- Available with optional internal insulation, Model MPI.
- Standard lengths are 610, 914, 1219, 1524 and 1829.
- Model MP can be used as supply or return.

This submittal is meant to demonstrate general dimensions of this product. The drawings are not meant to detail every aspect of the product. Drawings are not to scale. Titus

reserves the right to make changes without written notice.