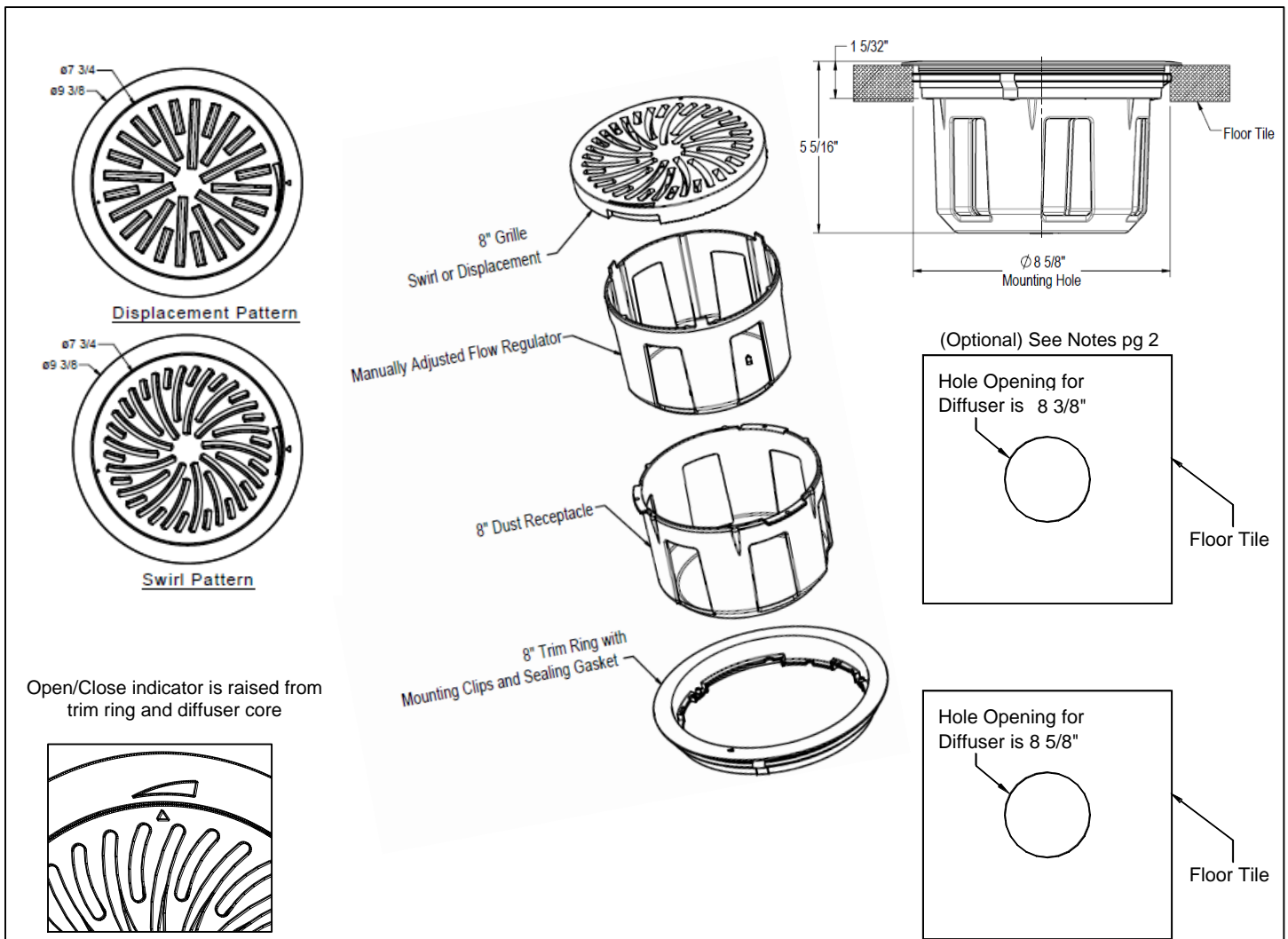


## TAFR-AA

8" Aluminum Access Floor Diffuser

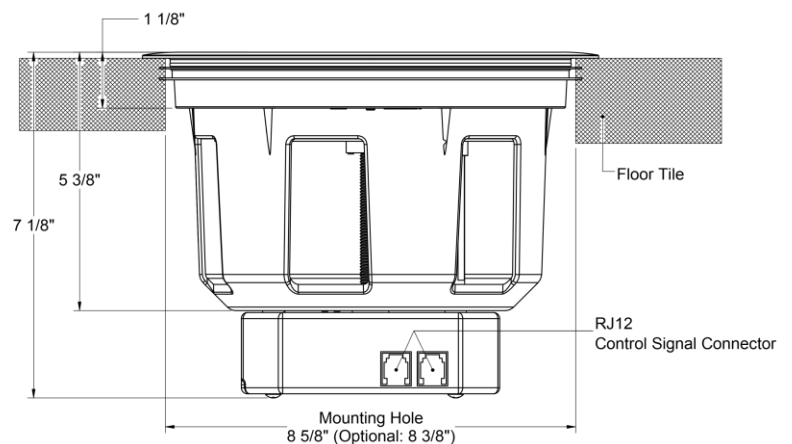


### Actuated Flow Regulator (Optional)

Check  if provided.

- Actuator
- Thermostat
- Cables

- 24VAC electric flow regulator actuator is integral part of the assembly
- RJ12 cable connections for easy plug and play installation.
- UL Rated
- 24VAC actuator is direct drive 0-10VDC control signal
- Room sensor equipped with digital display for setpoint adjustment & pc data port connection



## Accessories (Optional)

---

Check  if provided.

Custom Color

## General Description

---

- The TITUS Model TAFR-AA, is designed for application in access floor air distribution systems.
- All components are constructed of a cast aluminum material, designed to resist damage from traffic.
- Complies to NFPA 90B structural requirement for floor diffusers.
- TAFR-AA diffuser material complies with UL-94-5V standard for flammability.
- The actuated option for the TAFR-AA can have a maximum of six daisy chain units together utilizing the standard 12ft. Plenum cable. This allows for a maximum of 12 units per power supply with six unit on each side of the power supply.
- Optional mounting in hole diameter of 8 3/8" does not require installation clips & only uses sealing gasket.
- High induction helical air pattern creates ideal circulation without excess inlet pressure requirements. (Swirl diffuser)
- Narrow slots discharge air in a displacement pattern horizontally across the floor, generating a low turbulent flow with low velocities. (Displacement diffuser)
- Removable flow regulator is manually operated without removing the core.
- Optional actuated flow regulator automatically adjusts the airflow based on setpoint and zone temperature (thermostat required).
- External Open/Close indicator coupled with the internal Open/Close stop allow visual determination of damper position.
- Architecturally appealing core design is available in standard light gray or black color. On standard units, the core & trim ring are the only painted parts. All other components (beneath the floor tile) are unfinished. Open/Close indicator is raised from diffuser trim ring and core to be visually appealing. Optional colors may be specified to match any building interior's scheme.
- The trim ring's extra wide flange is designed to prevent carpet from pulling away from the diffuser.
- The spring clips and gasket attached to the trim ring are designed for rapid and secure press fit installation in raised floor panels.
- With the diffuser installed in the floor panel, relocation to another zone is accomplished simply by relocating the floor panel.
- Dirt/dust collection receptacle can be easily removed for cleaning.
- Diffuser can be installed after flooring and carpet installation are complete.
- Custom colors quantities less than 500 will be handled on a quotation basis from Titus.
- All custom colors are subject to the setup charge. The lead time on special colors is extended due to the fact that special color units are not stocked items. When ordering a special color, we recommend ordering an additional 5% more units for replacement.