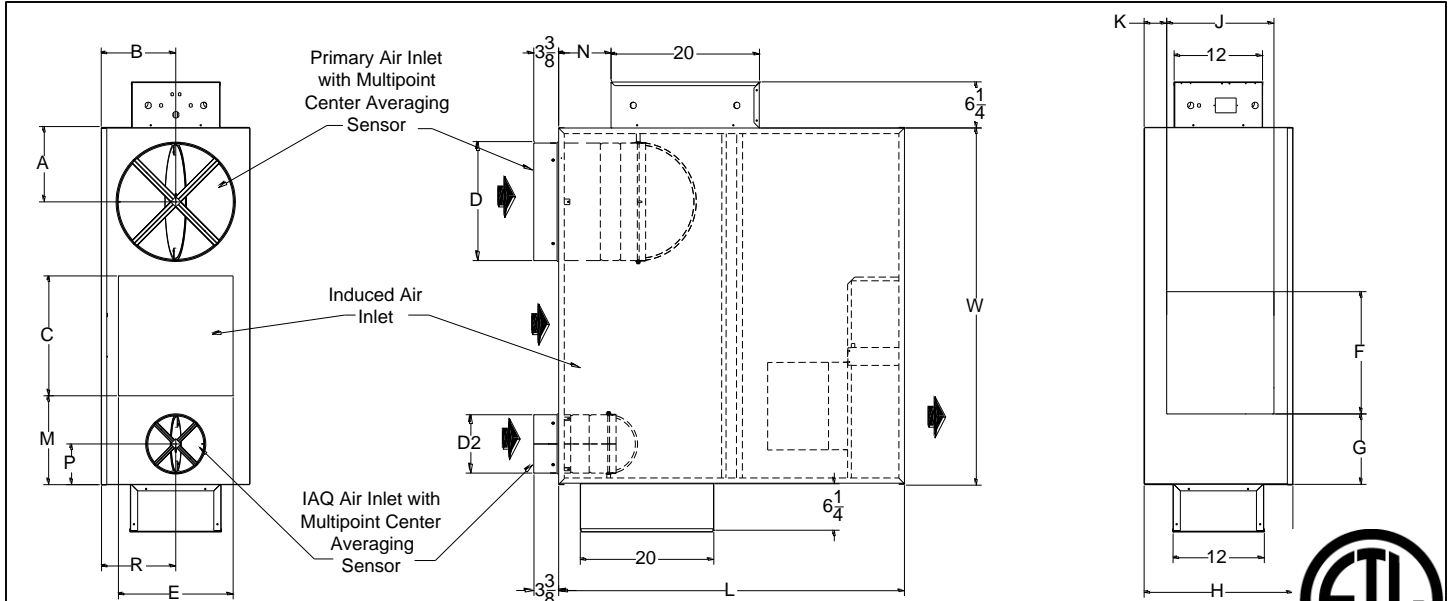


DTQS with IAQ Inlet

Fan Powered Terminal, Series Flow with IAQ Inlet and ECM Motor
 Direct Digital Control, Pressure Independent



Left hand unit, top view shown. All dimensions are in inches. Unit Size 2 not available with IAQ Inlet.
 Right hand units are built as a mirror image. Inlets, discharge, and control enclosure are opposite of the drawing above.

Unit Size	Primary	IAQ	A	B	C	D	D2	E	F	G	H	J	K	L	M	N	P	R	W	Filter Size
	Inlet Size																			
4	8	4	6	8 1/2	10 1/8	7 7/8	3 7/8	14 1/2	14	3 1/2	17 1/8	11	4	40 7/8	8 3/4	2 7/8	5	8 1/2	36 1/8	12x17
	10	5	9 7/8			4 7/8	4 7/8													
	12	6	11 1/8			5 7/8	4 7/8													
	14		13 7/8			6 7/8	6 7/8													
6	12	7	8	10 1/8	18 1/8	11 7/8	6 7/8	17 1/2	16 1/2	9 1/2	20 1/8	14 1/2	2 1/2	46 7/8	11	4 7/8	5 1/2	10	48 1/8	20x20
	14	8	13 7/8			7 7/8	6 7/8													
	16		15 7/8			7 7/8	6 7/8													

Accessories (Optional)

Check if provided.

ECM Motor Amperage Ratings

Unit Size	Motor hp	120V/1/60 FLA	208V/1/60 FLA	277V/1/60 FLA
4	1/2	7.7	5.0	4.1
6	1	12.8	10.5	6.9

FLA = Full Load Amperage, rated per the motor nameplate
 All fan motors are single phase, same voltage as electric coil (when supplied), with exception that 277 V motors are used with 480V, 3 phase coils (4 wire wye).

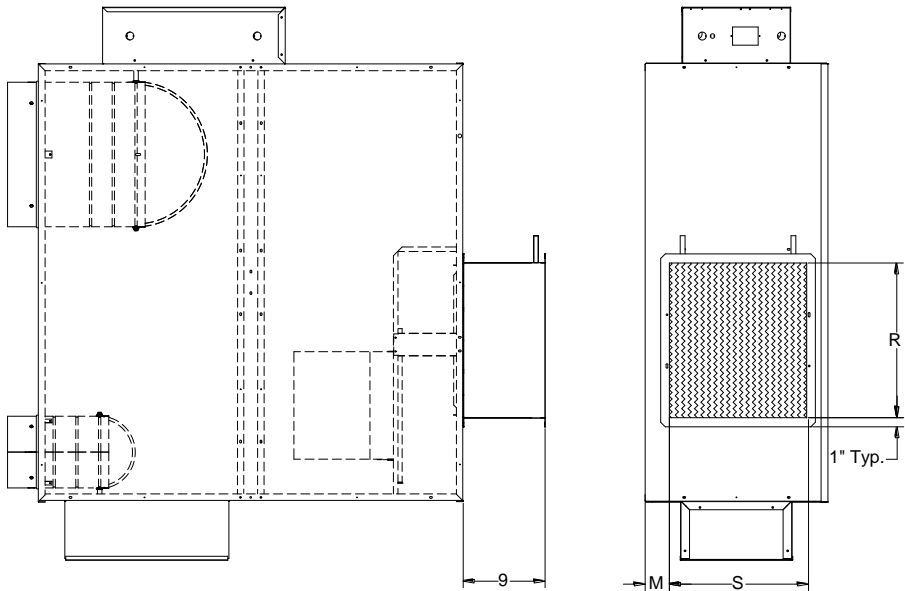
- Induced Air Filter, 1" thick, disposable construction type
- Fan disconnect switch (not available on units with optional electric coils)
- Fibre Free Liner
- SteriLoc Liner
- 1/2" EcoShield Liner
- 1/2" EcoShield Liner (Foil Face)
- 1/2" Fibre Free Liner
- UltraLoc Liner
- Fan unit fusing
- 1" Fiberglass Liner
- 1" EcoShield Liner
- 1" EcoShield Liner (Foil Face)
- 1" Fibre Free Liner
- Hanger Brackets
- Cam Latch for Access Door

Accessories (Optional)

Hot Water Coil Section

- 1/2" copper tubes
- Aluminum ripple fins, 10 per inch
- Connections: Male solder, 5/8" for both 1-row and 2-row. Left hand or right hand connections.
- Galvanized steel casing
- Flanged duct connection.
- Coil is installed on discharge of unit.

- 1 Row
- 2 Row



Unit Size	M (1 row)	M (2 row)	R	S
4	1	1 1/4	17	15
6	1	1 1/4	25	17 1/2

R and S are inside dimensions.

Electric Coil Section

Optional SCR Controlled Electric Heater

Optional Lynergy Controlled Electric Heater

Standard Features

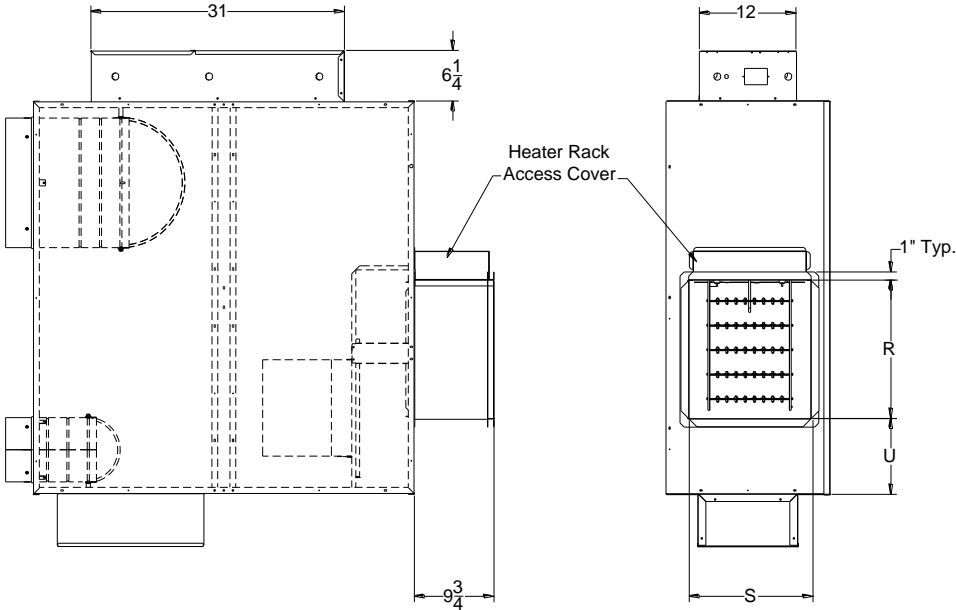
- Single side access to low voltage, high voltage, and electric heater controls.
- Automatic reset thermal cutouts, one per element
- Single point electrical connection for entire unit
- Positive pressure flow switch
- Flanged duct connection
- Coil is installed at discharge of unit.
- Transformer

Options

- Fuse Block
- Disconnect switch, door interlock type
- Manual reset cutout
- Dust tight construction
- Mercury contactors

Supply Voltage

- 208V, 1 ph, 60Hz
- 240V, 1 ph, 60Hz
- 277V, 1 ph, 60Hz
- 208V, 3 ph, 60Hz
- 480V, 3 ph, 60Hz (4 wire wye only)



Unit Size	U	R	S	T
4	3 1/2	14	11	2 1/8
6	9 1/2	16 1/2	14 1/2	3 1/8

R and S are inside dimensions.

General Description

- Heavy steel casing, with leak resistant construction.
- Dual density insulation, coated to prevent air erosion, meet requirements of NFPA 90A and UL 181.
- Energy efficient fan motor, permanent split capacitor type, mounted in vibration isolators.
- Pressure independent IAQ inlet allows the introduction of fresh air to the occupied zone.
- Adjustable SCR fan speed control with minimum voltage stop.
- Bottom access panels can be removed for service.
- Multipoint, center averaging velocity sensor.
- Primary air flow balancing connections.
- Pressure independent primary flow control.
- Single point electrical connections.
- Rectangular discharge opening is designed for flanged duct connections.

This submittal is meant to demonstrate general dimensions of this product. The drawings are not meant to detail every aspect of the product. Drawings are not to scale. Titus reserves the right to make changes without written notice.