

## Electric Heat

### Standard Features

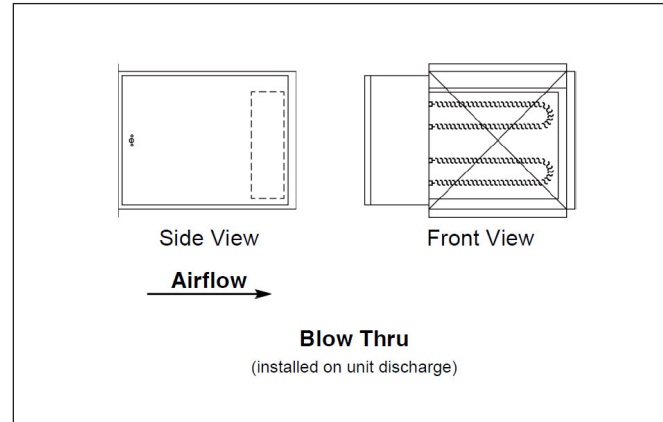
- » Flanged construction for direct unit mounting, in blow-thru configuration
- » Listed for zero clearance installation
- » Meets National Electrical Code requirements
- » Ni-Chrome wire in ceramic insulators
- » Stainless steel element terminals and hardware
- » Element support brackets on maximum 3 1/2" centers
- » Solid cover with continuous full height hinge
- » Overtemperature protection
- » All internal wiring rated for 105°C minimum
- » Airflow switch
- » Incoming line power distribution block
- » cETL Listed in compliance with UL/ANSI Standard 1995
- » Single point power connection
- » Heater factory mounted to unit with cETL listing as an assembly

### Optional Features

- » Main incoming power disconnect (non-fused)
- » Fusing (main)
- » Magnetic contactors wired for disconnecting operation
- » Fan control package with heater interlock contacts (required for single point power connection)

### Electrical Calculations Information

1. Contact your local Titus sales office
2. Non-Fused Door Interlock Disconnect Switch shall be sized according to MCA
3. Main Fusing shall be sized according to MOP



Heater AMP Calculation	
Voltage	AMPs per kW
115/1	8.70
208/1	4.81
230/1	4.35
277/1	3.61
208/3	2.78
230/3	2.51
460/3	1.26
575/3	1.00

Unit Voltage And Phase			Electric Heat KW Limits											
			Unit Size											
			08		12		16		20		30		40	
		Min	Max	Min	Max	Min	Max	Min	Max	Min	Max	Min	Max	
Single Phase	115	kW	3	5	3	5	3	5	4	5				
		AMPs	26.1	43.5	26.1	43.5	26.1	43.5	34.8	43.5				
	208	kW	3	9	3	9	3	9	4	9	6	9	7	9
		AMPs	14.4	43.3	14.4	43.3	14.4	43.3	19.2	43.3	28.8	43.3	33.7	43.3
	230	kW	3	11	3	11	3	11	4	11	6	11	7	11
		AMPs	13.0	47.8	13.0	47.8	13.0	47.8	17.4	47.8	26.1	47.8	30.4	47.8
277	kW	3	13	3	13	3	13	4	13	6	13	7	13	
	AMPs	10.8	46.9	10.8	46.9	10.8	46.9	14.4	46.9	21.7	46.9	25.3	46.9	
Three Phase	208	kW	3	13	3	16	3	16	4	16	4	16	7	16
		AMPs	8.3	36.1	8.3	44.4	8.3	44.4	11.1	44.4	11.1	44.4	19.4	44.4
	230	kW	3	13	3	18	3	18	4	18	4	18	7	18
		AMPs	7.5	32.6	7.5	45.2	7.5	45.2	10.0	45.2	10.0	45.2	17.6	45.2
	460	kW	3	13	3	20	3	20	4	26	4	26	7	38
		AMPs	3.8	16.3	3.8	25.1	3.8	25.1	5.0	32.6	5.0	32.6	8.8	47.7
575	kW	3	13	3	20	3	20	4	26	4	26	7	46	
	AMPs	3.0	13.1	3.0	20.1	3.0	20.1	4.0	26.1	4.0	26.1	7.0	46.2	

### Notes:

1. Factory certified submittals available upon request
2. Standard heater kW limits are maximum per unit size and voltage
3. Heater should be sized for a maximum leaving air temperature of 104°F