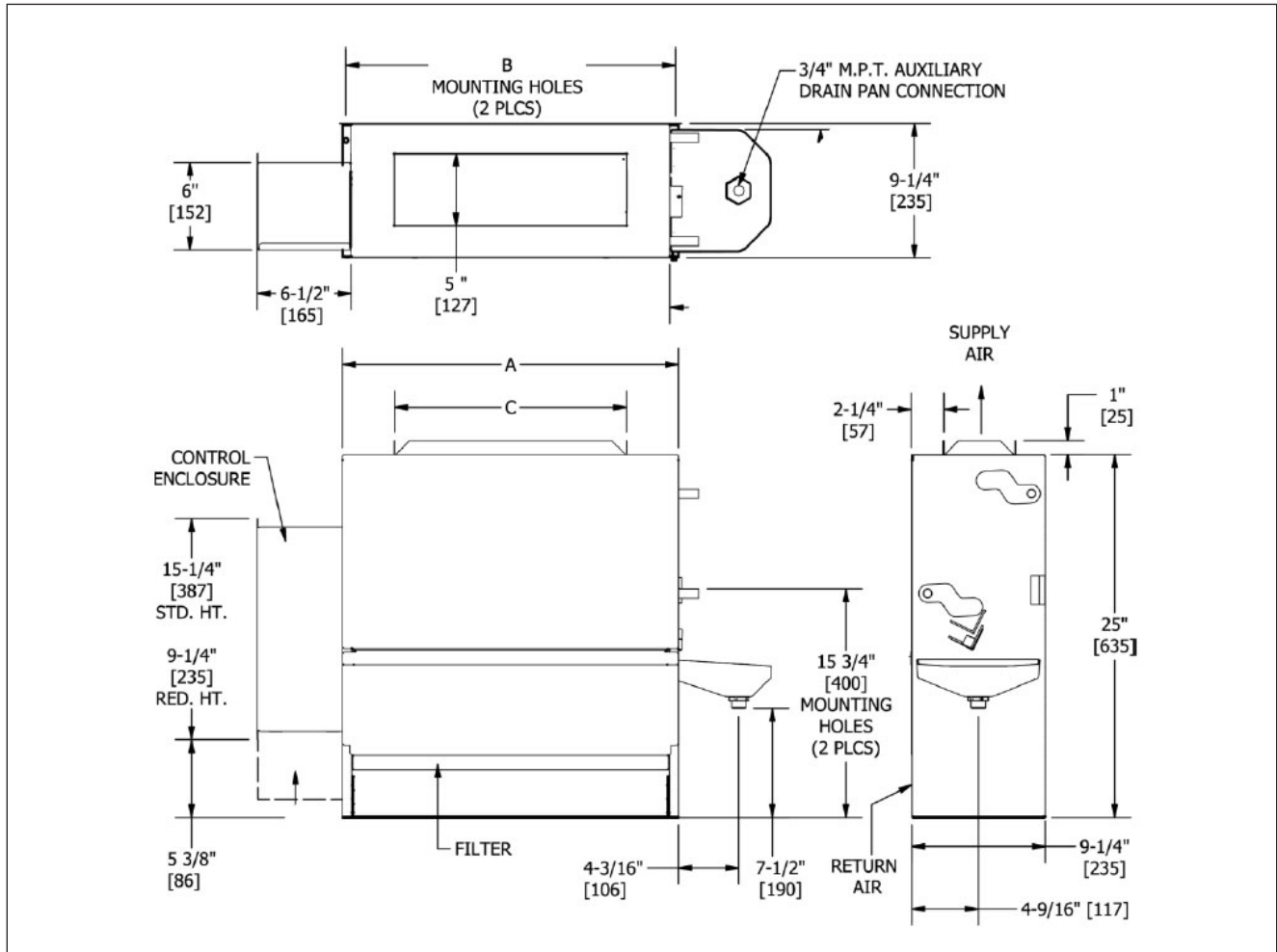


TVBC UNIT DIMENSIONS



Dimensions			
Unit Size	A	B	C
02	23 3/16 [589]	23 3/4 [578]	16 [406]
03	27 3/16 [691]	26 3/4 [679]	20 [508]
04	33 3/16 [843]	32 3/4 [832]	26 [660]
06	43 3/16 [1097]	42 3/4 [1086]	36 [914]
08	45 3/16 [1148]	44 3/4 [1137]	38 [965]
10	59 3/16 [1503]	58 3/4 [1492]	52 [1320]
12	67 3/16 [1707]	66 3/4 [1695]	60 [1524]

Notes:

1. All dimensions are in inches [millimeters]. All dimensions are $\pm 1/4"$ [6mm]. Metric values are soft conversion.
2. Junction box size and location varies w/unit features. Control options may be limited. Provide sufficient clearance to access electrical controls and comply w/ applicable codes and ordinances, reduced height control enclosure is standard with opposite end coils.
3. Right hand coil connection shown. Left hand unit similar but opposite.
4. Some piping package options may require extended drain pans
5. Size 02 and 03 Models with 208/230vac or 277vac have 3 5/8" [92] extended controls enclosure