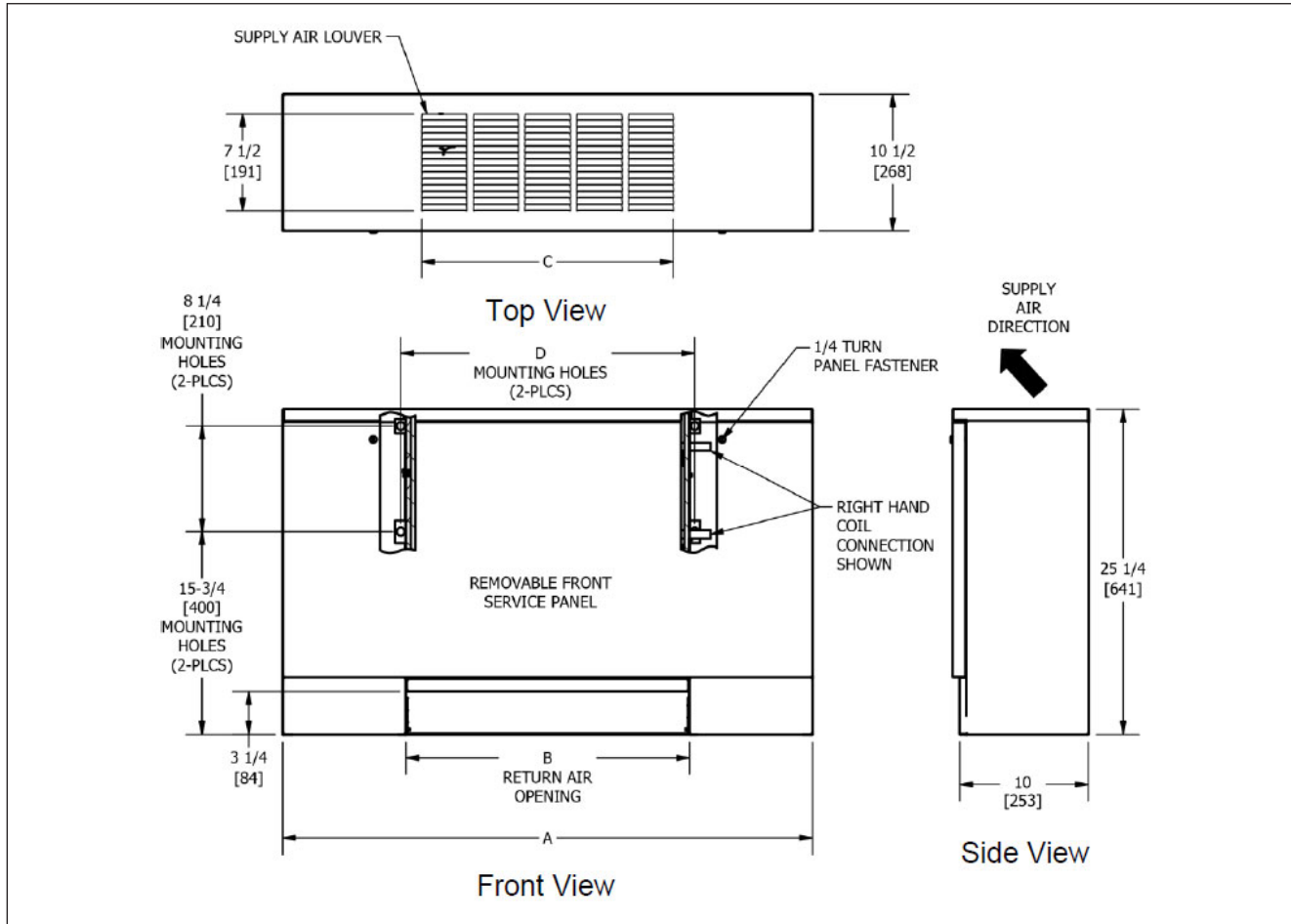


TVBF UNIT DIMENSIONS

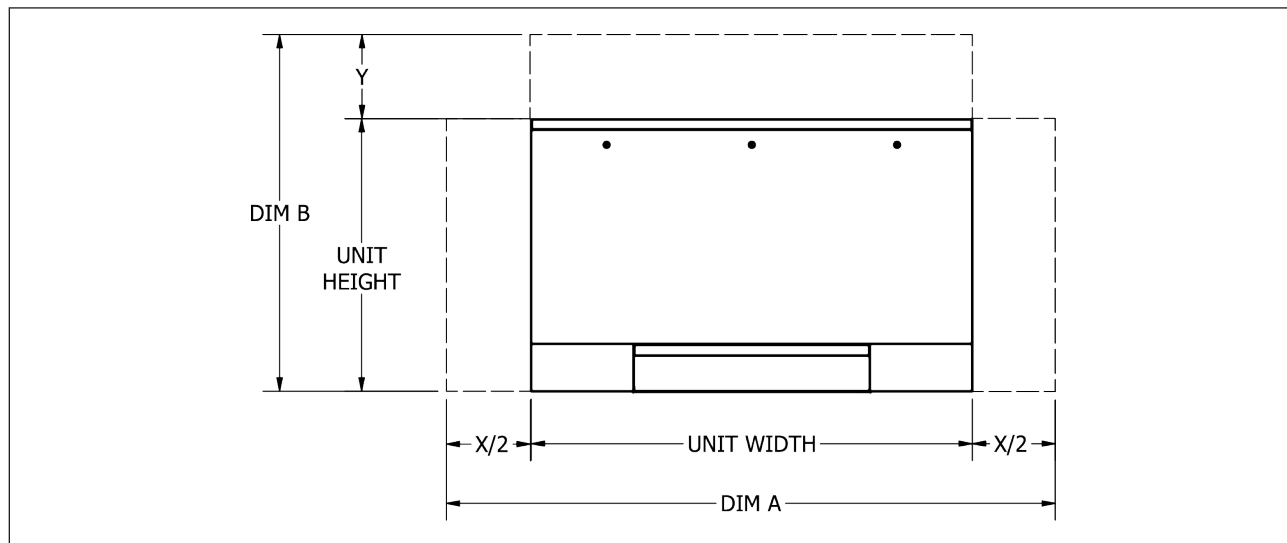


| Dimensions | | | | |
|------------|-----------|-----------|-------------------------|-------------------------|
| Unit Size | A | B | C | D |
| 02 | 40 [1016] | 22 [559] | 19 $\frac{1}{2}$ [495] | 22 $\frac{3}{4}$ [578] |
| 03 | 44 [1117] | 26 [660] | 23 $\frac{1}{2}$ [597] | 26 $\frac{3}{4}$ [679] |
| 04 | 50 [1270] | 32 [813] | 27 $\frac{1}{2}$ [699] | 32 $\frac{3}{4}$ [832] |
| 06 | 60 [1524] | 42 [1067] | 39 $\frac{1}{2}$ [1003] | 42 $\frac{3}{4}$ [1086] |
| 08 | 62 [1574] | 44 [1118] | 39 $\frac{1}{2}$ [1003] | 44 $\frac{3}{4}$ [1137] |
| 10 | 76 [1930] | 58 [1473] | 55 $\frac{1}{2}$ [1410] | 58 $\frac{3}{4}$ [1492] |
| 12 | 84 [2133] | 66 [1676] | 63 $\frac{1}{2}$ [1613] | 66 $\frac{3}{4}$ [1695] |

Notes:

1. All dimensions are Inches [millimeters]. All dimensions $\pm \frac{1}{4}$ [6mm]. Metric values are soft conversion.
2. Junction box size and location varies with unit features. Control options may be limited. Provide sufficient clearance to access electrical controls and comply with applicable codes and ordinances.
3. Standard cabinet finish is "British White"
4. Parametric design available to increase Height or Width (See parametric offerings drawing).
5. Some control or piping package options may require extended end pockets and/or extended drain pans. (See extended end pocket drawing).
6. False backs ship loose for field installation

TVBF UNIT DIMENSIONS - PARAMETRIC INCREMENTS



| Dimension A (inches) | | | | | | | | | | | | | |
|----------------------|-----|-----|-----|-----|-----|-----|-----|-----|-----|-----|------|------|------|
| Size | X=0 | X=1 | X=2 | X=3 | X=4 | X=5 | X=6 | X=7 | X=8 | X=9 | X=10 | X=11 | X=12 |
| 02 | 40 | - | 42 | 43 | 44 | 45 | 46 | 47 | 48 | 49 | 50 | 51 | 52 |
| 03 | 44 | - | 46 | 47 | 48 | 49 | 50 | 51 | 52 | 53 | 54 | 55 | 56 |
| 04 | 50 | - | 52 | 53 | 54 | 55 | 56 | 57 | 58 | 59 | 60 | 61 | 62 |
| 06 | 60 | - | 62 | 63 | 64 | 65 | 66 | 67 | 68 | 69 | 70 | 71 | 72 |
| 08 | 62 | - | 64 | 65 | 66 | 67 | 68 | 69 | 70 | 71 | 72 | 73 | 74 |
| 10 | 76 | - | 78 | 79 | 80 | 81 | 82 | 83 | 84 | 85 | 86 | 87 | 88 |
| 12 | 84 | - | 86 | 87 | 88 | 89 | 90 | 91 | 92 | 93 | 94 | N/A | N/A |

| Dimension B (inches) | | | | | | | | | | | | | |
|----------------------|-----|------|------|------|------|------|------|------|------|------|------|------|------|
| All Sizes | Y=0 | Y=1 | Y=2 | Y=3 | Y=4 | Y=5 | Y=6 | Y=7 | Y=8 | Y=9 | Y=10 | Y=11 | Y=12 |
| | | 25 ¼ | 26 ¼ | 27 ¼ | 28 ¼ | 29 ¼ | 30 ¼ | 31 ¼ | 32 ¼ | 33 ¼ | 34 ¼ | 35 ¼ | 36 ¼ |

| Dimension A (millimeters) | | | | | | | | | | | | | |
|---------------------------|------|------|------|------|-------|-------|-------|-------|-------|-------|-------|-------|-------|
| Size | X=0 | X=25 | X=51 | X=76 | X=102 | X=127 | X=152 | X=178 | X=203 | X=229 | X=254 | X=279 | X=305 |
| 02 | 1016 | - | 1018 | 1019 | 1020 | 1021 | 1022 | 1023 | 1024 | 1025 | 1026 | 1027 | 1028 |
| 03 | 1116 | - | 1120 | 1121 | 1122 | 1123 | 1124 | 1125 | 1126 | 1127 | 1128 | 1129 | 1130 |
| 04 | 1270 | - | 1272 | 1273 | 1274 | 1275 | 1276 | 1277 | 1278 | 1279 | 1280 | 1281 | 1282 |
| 06 | 1524 | - | 1526 | 1527 | 1528 | 1529 | 1530 | 1531 | 1532 | 1533 | 1534 | 1535 | 1536 |
| 08 | 1575 | - | 1577 | 1578 | 1579 | 1580 | 1581 | 1582 | 1583 | 1584 | 1585 | 1586 | 1587 |
| 10 | 1930 | - | 1932 | 1933 | 1934 | 1935 | 1936 | 1937 | 1938 | 1939 | 1940 | 1941 | 1942 |
| 12 | 2134 | - | 2136 | 2137 | 2138 | 2139 | 2140 | 2141 | 2142 | 2143 | 2144 | N/A | N/A |

| Dimension B (millimeters) | | | | | | | | | | | | | |
|---------------------------|-----|------|------|------|-------|-------|-------|-------|-------|-------|-------|-------|-------|
| All Sizes | Y=0 | Y=20 | Y=51 | Y=76 | Y=102 | Y=127 | Y=152 | Y=178 | Y=203 | Y=229 | Y=254 | Y=279 | Y=305 |
| | | 641 | 667 | 692 | 718 | 743 | 768 | 794 | 819 | 845 | 870 | 895 | 921 |

Note:
Internal chassis and air openings remain the same. External cabinet can increase in height and width in 1" (25.4mm) increments up to 12" (305mm).