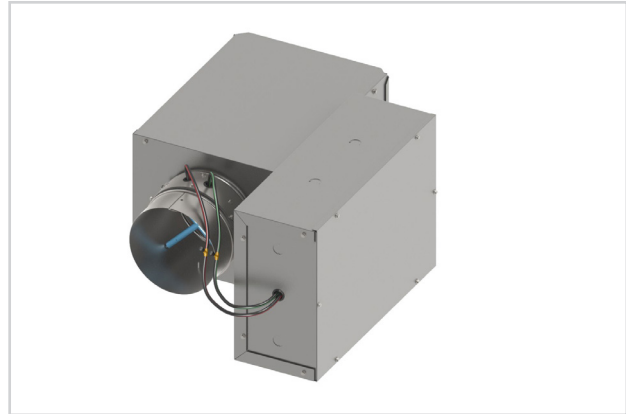


### ESV / ESV-S

- ESV can be installed horizontally, vertically or at any angle; unit operation is not affected by position
- Choice of right or left hand control location
- Standard AeroCross multi-point center averaging velocity sensor (except EESV)
- Standard dual density insulation
- Controls supplied by Titus are factory calibrated for a quicker start-up
- Standard 22-gauge casing with slip and drive connection
- OSP & IBC seismic certifications available for ESV-S units with Titus pneumatic, analog, and digital controls



ESV



seismic certified

#### MODELS:

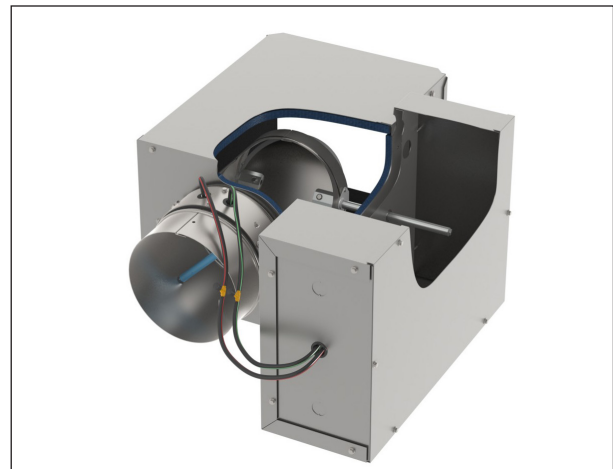
PESV / Pneumatic  
EESV / Electric  
AESV / Analog Electronic  
DESV / Digital Electronic  
ESV-S / Seismic Option

#### OVERVIEW

Single Duct terminals are the fundamental building blocks for Variable Air Volume (VAV) systems. Their primary function is to regulate airflow to a zone, in response to zone temperature requirements. The Titus ESV is unique as it incorporates many design features that increase performance, decrease service and installation costs, and offer increased value, over and above this basic function.



See website for Specifications



Cutaway view of the components for the ESV terminal unit