

INTEGRAL SOUND ATTENUATOR

Titus' unique integral design minimizes casing leakage and disturbance to airflow with no casing or insulation seams.

INTEGRAL ELECTRIC COIL

With a rigid one piece assembly, Titus locates the heating elements for optimal heat transfer and insets them for protection during shipment and installation.

STANDARD FEATURES:

- Primary automatic reset thermal cutout (one per coil)
- Secondary manual reset thermal cutout
- Airflow switch (differential pressure)
- Derated nickel chrome heating elements
- Magnetic or safety contactors (as required)
- Line terminal block
- Control terminal block
- ETL listed
- 80/20 nickel chrome element wire

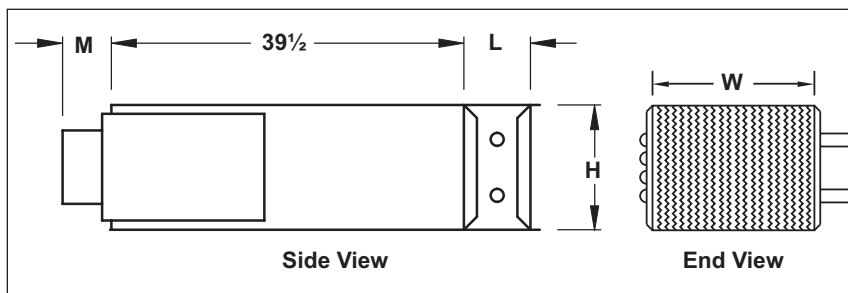
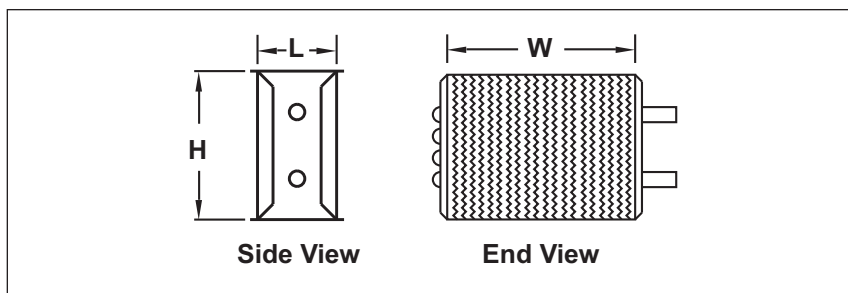
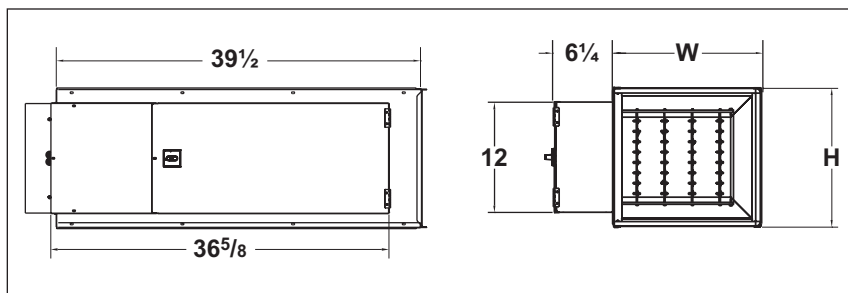
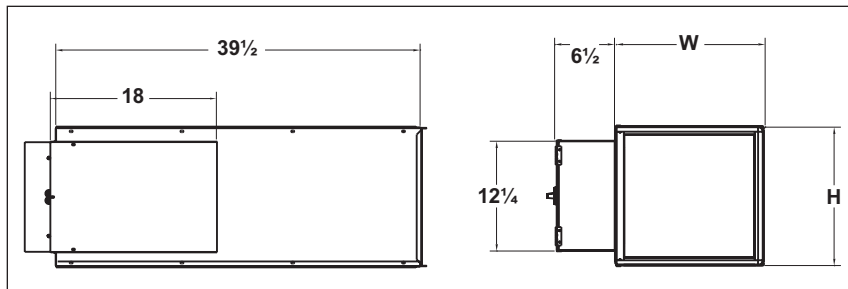
OPTIONAL FEATURES:

- Class II, 24 volt control transformer
- Mercury contactors
- Door interlock disconnect switch
- Main supply fuses
- Dust tight construction
- Removable flow sensor

HOT WATER REHEAT COILS

Details on water coil features are shown on performance pages M18-22.

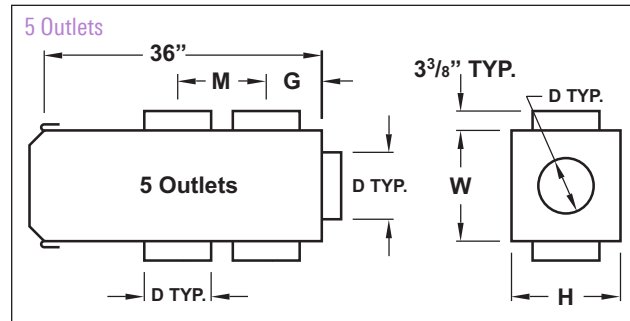
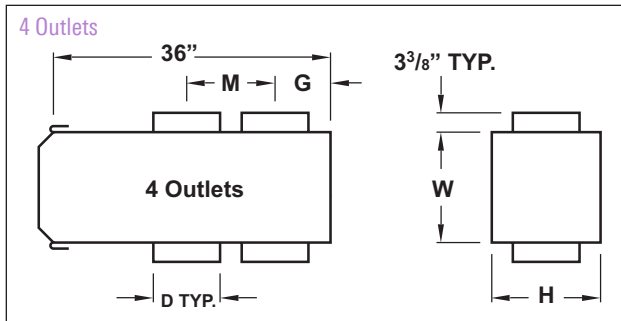
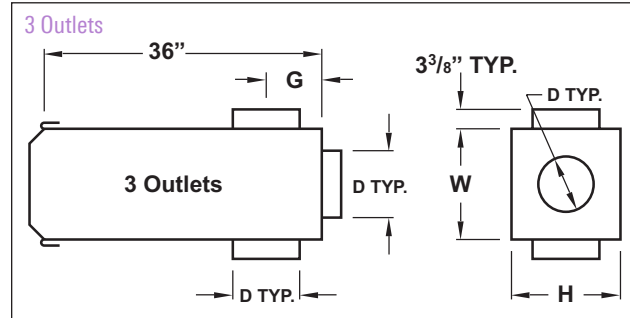
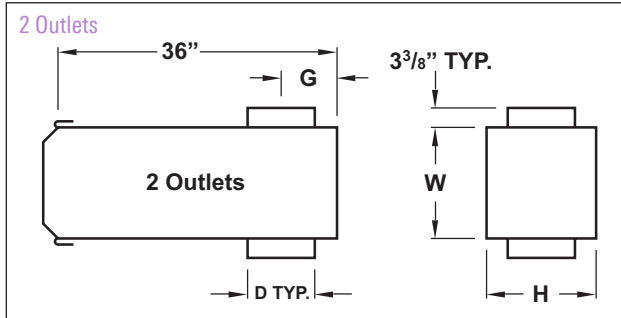
INTEGRAL SOUND ATTENUATOR WITH OPTIONAL HOT WATER REHEAT COIL



INLET SIZE	H	M	W	WATER COIL	
				L (1-2 ROW)	L (3-4 ROW)
4, 5	8	5 ³ / ₈	12	5	7 ¹ / ₄
6	8	3 ³ / ₈	12	5	7 ¹ / ₄
7, 8	10	3 ³ / ₈	12	5	7 ¹ / ₄
9, 10	12 ¹ / ₂	3 ³ / ₈	14	5	7 ¹ / ₄
12	15	3 ³ / ₈	16	5	7 ¹ / ₄
14	17 ¹ / ₂	3 ³ / ₈	20	7 ¹ / ₂	9 ³ / ₄
16	18	3 ³ / ₈	24	7 ¹ / ₂	9 ³ / ₄
24 x 16	18	3 ³ / ₈	38	5	7 ¹ / ₄

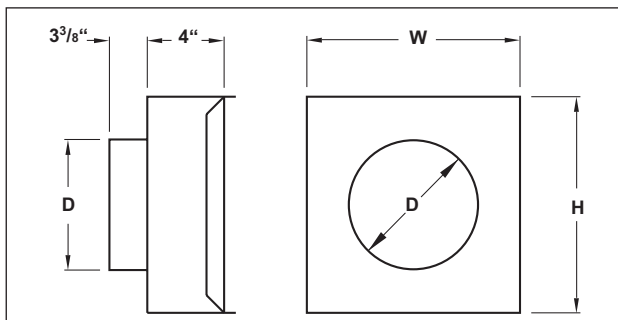
Note: The total length of the ESV basic unit and accessories (attenuators and coils) is the summation of basic unit length and the accessories length

MULTI-OUTLET PLENUMS FOR SINGLE DUCT TERMINALS



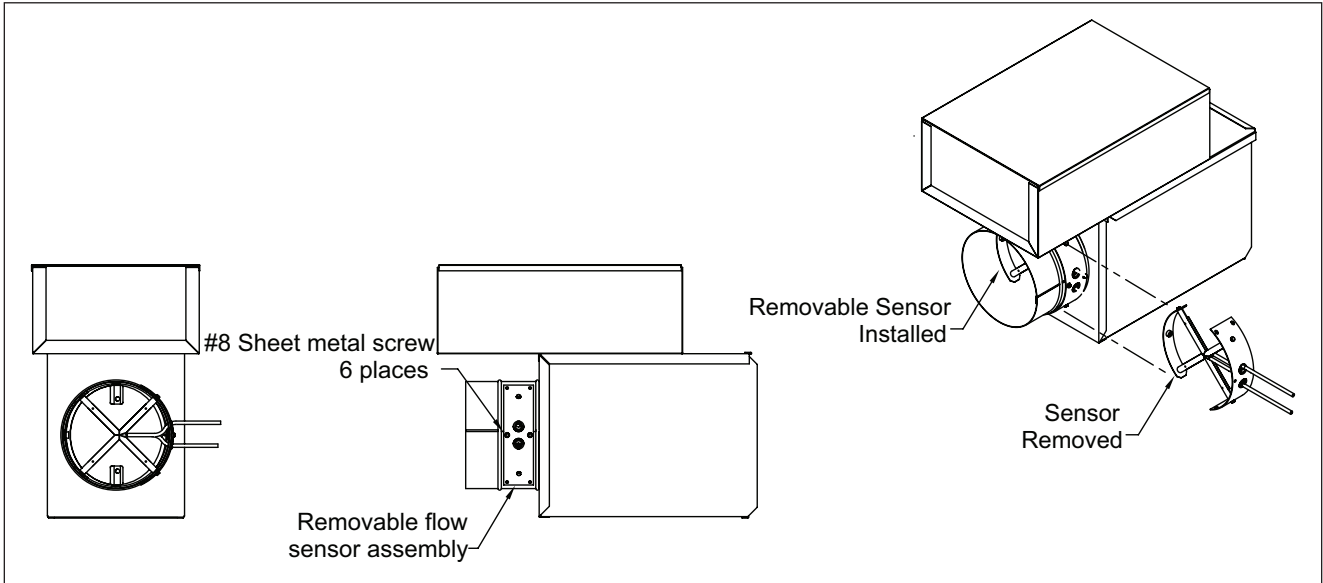
ESV Unit Sizes	Outlet Size D	2 Outlets		3 Outlets		4 Outlets		5 Outlets		H	W
		G	M	G	M	G	M	G	M		
4, 5, 6	5 ⁷ / ₈	4 ³ / ₈	-	4 ³ / ₈	-	-	-	-	-	8	12
7, 8	7 ¹ / ₈	5 ³ / ₈	-	5 ³ / ₈	-	5 ³ / ₈	12	-	-	10	12
8	7 ¹ / ₈	-	-	-	-	-	-	5 ³ / ₈	12	10	12
9, 10	9 ¹ / ₈	5 ³ / ₈	-	5 ³ / ₈	-	5 ³ / ₈	14	-	-	12 ¹ / ₂	14
9, 10	7 ¹ / ₈	-	-	5 ³ / ₈	-	5 ³ / ₈	12	-	-	12 ¹ / ₂	14
12	11 ¹ / ₈	6 ³ / ₈	-	6 ³ / ₈	-	-	-	-	-	15	16
12	9 ¹ / ₈	-	-	6 ³ / ₈	-	6 ³ / ₈	14	6 ³ / ₈	14	15	16
14	11 ¹ / ₈	6 ³ / ₈	-	6 ³ / ₈	-	-	-	-	-	17 ¹ / ₂	20
14	9 ¹ / ₈	-	-	6 ³ / ₈	-	6 ³ / ₈	14	6 ³ / ₈	14	17 ¹ / ₂	20
16	11 ¹ / ₈	6 ³ / ₈	-	6 ³ / ₈	-	-	-	-	-	18	24
16	9 ¹ / ₈	-	-	6 ³ / ₈	-	6 ³ / ₈	14	6 ³ / ₈	14	18	24

ROUND OUTLETS



Unit Size	D	H	W
4	3 ⁷ / ₈	8	12
5	4 ⁷ / ₈	8	12
6	5 ⁷ / ₈	8	12
7	6 ⁷ / ₈	10	12
8	7 ⁷ / ₈	10	12
9	8 ⁷ / ₈	12 ¹ / ₂	14
10	9 ⁷ / ₈	12 ¹ / ₂	14
12	11 ⁷ / ₈	15	16
14	13 ⁷ / ₈	17 ¹ / ₂	20
16	15 ⁷ / ₈	18	24

REMOVABLE FLOW SENSOR



ESV WITH ACCESS DOOR OPTION

