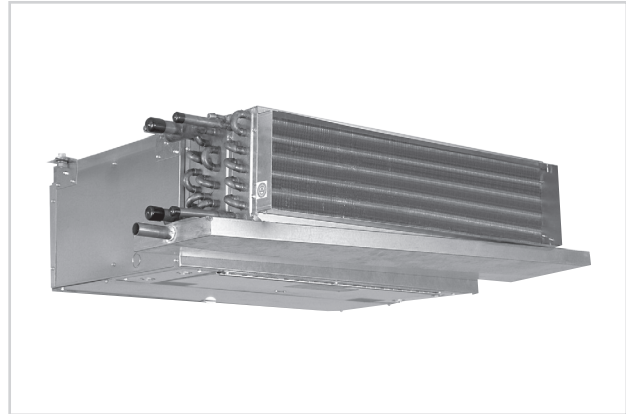


THBP

- Performance AHRI Certified to Standard 440
- Sound Performance tested as per AHRI Standard 350-2000 (non-ducted equipment)
- ETL-Listed, Constructed in compliance with ANSI/UL 1995 Standard
- High-efficiency 3 speed and Variable speed constant RPM ECM motor available for higher energy efficiencies
- Chilled Water, Hot Water and DX coils with factory mount or field install piping package available
- Field Reversible for either Bottom or Rear Return



THBP

MODEL:

THBP

OVERVIEW

Factory assembled, horizontal blow-thru ducted THBP fan coils are designed for concealed installations above ceilings with ducted return and discharge air and are available with DWDI whisper quiet blowers. Suitable for projects such as hotels, motels, condominiums and general commercial applications.

OPTIONAL FEATURES INCLUDE:

Construction

All Units

- » Foil faced fiberglass insulation
- » Elastomeric closed cell foam insulation
- » EcoShield Liner

Plenum Units

- » Bottom return
- » 1" pleated filters (MERV 8)
- » Spare 1" throwaway filters
- » Telescoping Bottom Panels
- » Fresh/Outside Air Inlet

Coils

- » Automatic air vents
- » Stainless steel coil casings

Drain Pans

- » Stainless steel with external insulation
- » 5/8" O.D. secondary drain connection
- » Auxiliary drip pans, galvanized or stainless steel



See website for Specifications

Fan Assemblies

- » 208-230 & 277 volt, single phase, three tap PSC motors

Electrical

- » Bottom hinged cover electrical enclosure
- » SCR fan speed controller
- » Fan relay packages
- » Silent solid state fan relays
- » Toggle disconnect switch
- » Condensate overflow switch (drain pan)
- » Main fusing
- » Unit and remote mounted three speed fan switches

Electric Heat

- » Manual reset secondary thermal limits
- » Door interlocking disconnect switches
- » Main fusing
- » Silent relay / contactors



A Participating Corporation in the
AHRI 440 Certification Program

Piping Packages

- » Factory-assembled - shipped loose for field installation
- » ½" and ¾", and 1", 2-way and 3-way, normally closed, two-position electric motorized valves
- » Isolation ball valves with memory stop
- » Fixed and adjustable flow control devices
- » Unions and P/T ports
- » Floating point modulating control valves
- » High-pressure, close-off actuators (½" = 50 PSIG; ¾" = 25 PSIG)
- » 4-strainers

Thermostats

- » Remote mounted analog, digital display, or programmable
- » 2-pipe and 4-pipe control sequences
- » Automatic and manual changeover
- » Integral three speed fan switches