

## TBH/TBV

Belt Drive Blower Coil Unit, 3, 4 & 6 Row DX Evaporator Coil Connection Location

### 3, 4, 6 Row DX Evaporator Coil Dimensions – In [mm]

See Dwg.  
Page 4, Figs. 7, 8, & 9  
CCC-004-J, Figs. 10 & 11

Liquid and Suction Connex Size Ranges		
Dist Connex	Connex Size	D
See Note 4	5/8 [16]	2-1/8 [58]
	7/8 [23]	2-1/2 [64]
	1-1/8 [29]	2-5/8 [67]
	1-3/8 [36]	3 [76]

Cooling Only or w/ Re-Heat	
Unit Size	B
8	3-5/8 [92]
12	
16	
20	
30	
40	

w/ 1 Row Water Pre-Heat	
Unit Size	B
8	6-5/8 [169]
12	
16	
20	
30	
40	

w/ 2 Row Water Pre-Heat	
Unit Size	B
8	9 [229]
12	
16	
20	
30	
40	

w/ 3 Row Water Pre-Heat	
Unit Size	B
8	8-7/8 [226]
12	
16	
20	
30	
40	

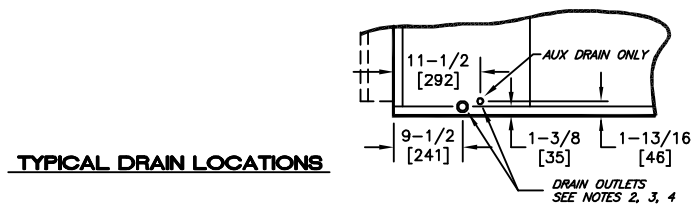
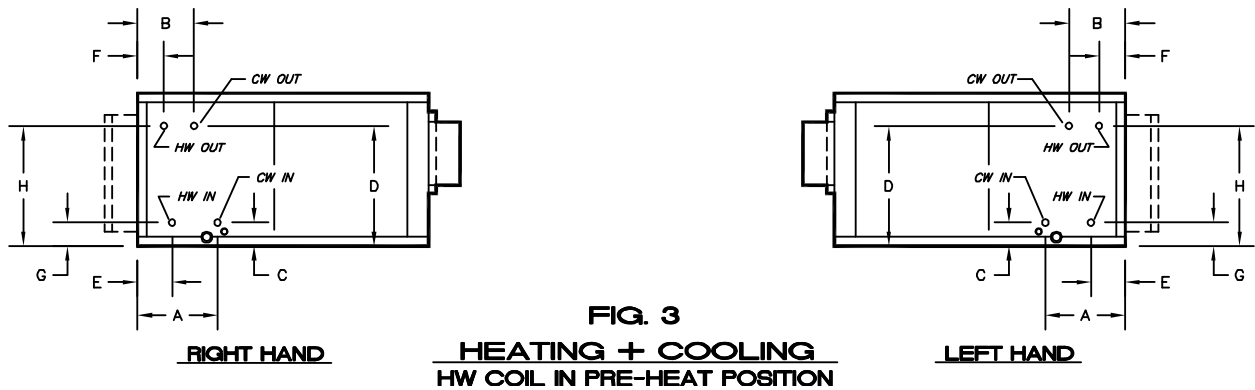
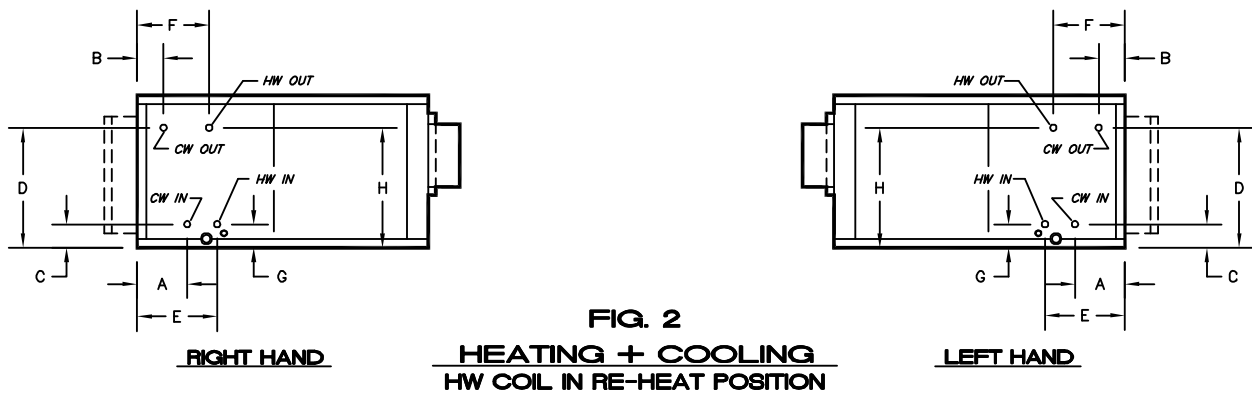
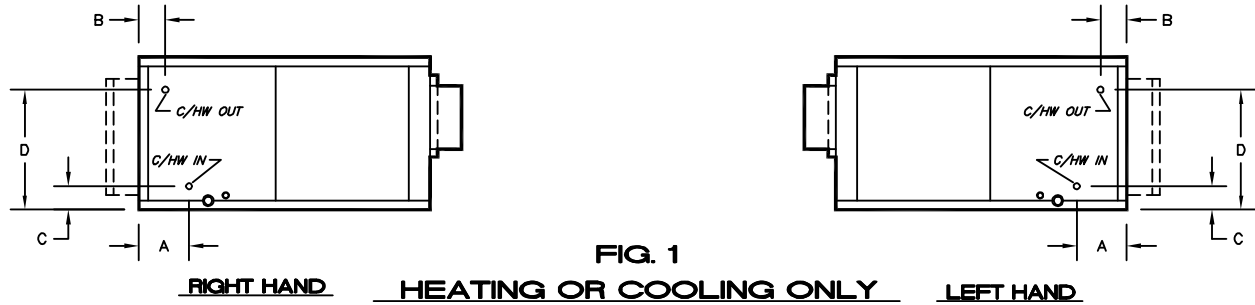
w/ Steam Pre-Heat	
Unit Size	B
8	9-7/8 [251]
12	
16	
20	
30	
40	

#### NOTES:

1. All dimensions are inches [millimeters]. All dimensions are +- 1/4" (6mm). Metric values are soft conversion.
2. All connections are ODM sweat unless otherwise noted.
3. Field piping should be based on job requirements, not unit connection size.
4. Distributor connection size varies with actual operating conditions. Consult the Titus for details.

## TBH/TBV

### Belt Drive Blower Coil Unit, Water Heating & Cooling Coil, Coil Connection Location

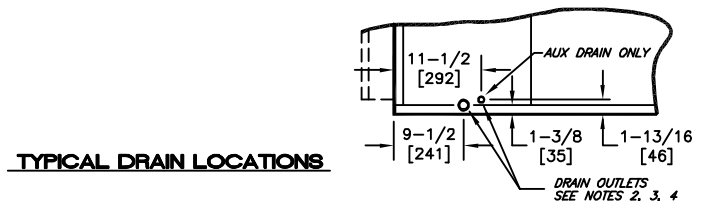
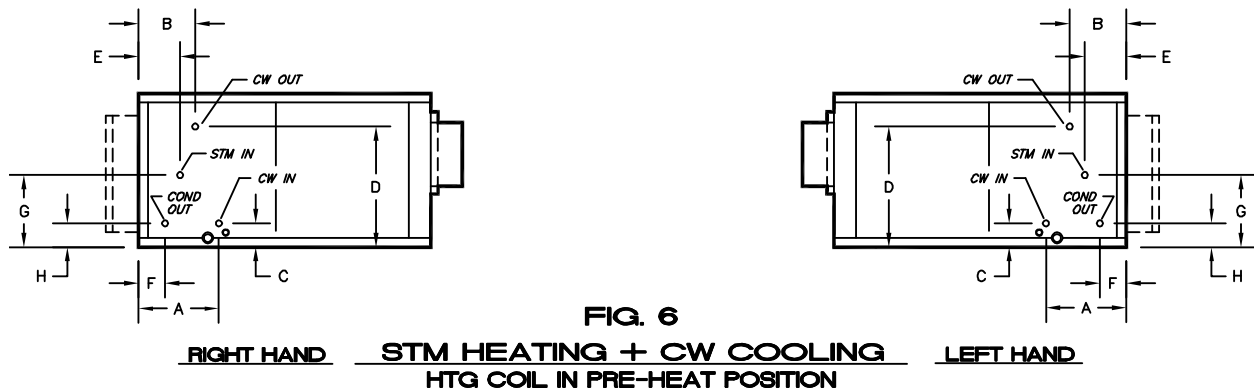
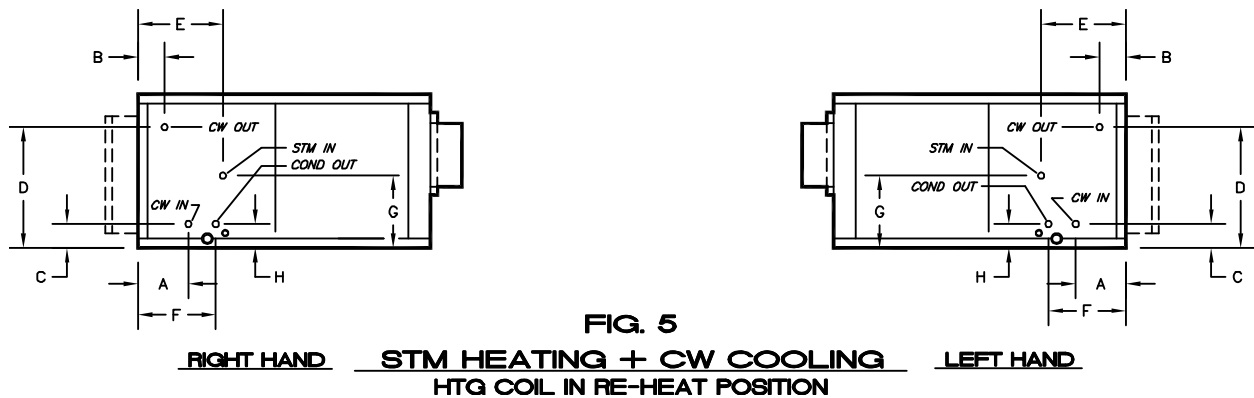
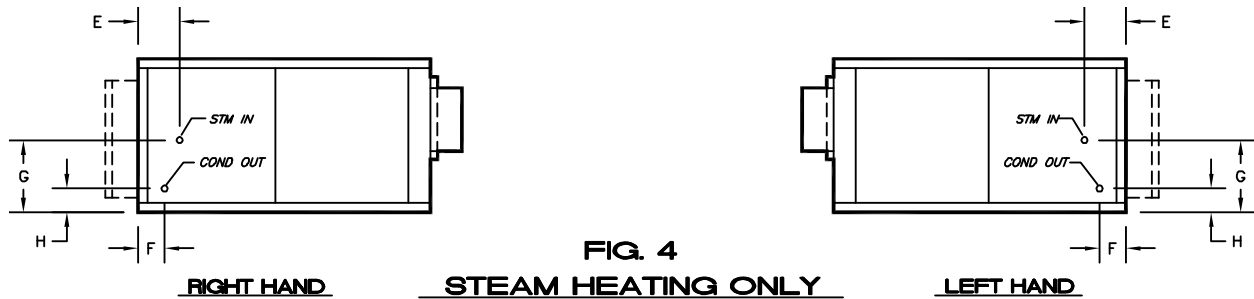


#### NOTES:

1. All dimensions are inches [millimeters]. All dimensions are  $\pm 1/4"$  (6mm). Metric values are soft conversion.
2. Standard galvanized IAQ drain pan has 1-1/8" ODM copper connection on one drain side.
3. Stainless steel IAQ drain pan has 1" galvanized Sch. 40 threaded steel connection on one side only.  
Optional Aux connection is 3/8" galvanized sch. 40 threaded steel on same side as coil hand.
4. Optional flat galvanized drain pan has 1-1/8" ODM copper connection. Optional Aux connection is 5/8" ODM copper.  
Standard and Aux connections are on both sides. Cap unused connections.
5. Heating – only units may not include a drain pan under heating coil. See actual order documents.
6. Horizontal unit shown. Coil connection locations are typical for vertical units relative to lower bottom corner at entering air side.

## TBH/TBV

Belt Drive Blower Coil Unit, Steam Heating & Cooling Coil, Coil Connection Location

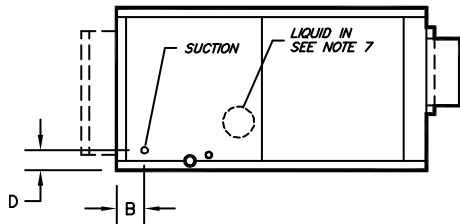


### NOTES:

1. All dimensions are inches [millimeters]. All dimensions are  $\pm 1/4"$  (6mm). Metric values are soft conversion.
2. Standard galvanized IAQ drain pan has 1-1/8" ODM copper connection on one drain side.
3. Stainless steel IAQ drain pan has 1" galvanized Sch. 40 threaded steel connection on one side only.  
Optional Aux connection is 3/8" galvanized sch. 40 threaded steel on same side as coil hand.
4. Optional flat galvanized drain pan has 1-1/8" ODM copper connection. Optional Aux connection is 5/8" ODM copper.  
Standard and Aux connections are on both sides. Cap unused connections.
5. Heating – only units may not include a drain pan under heating coil. See actual order documents.
6. Horizontal unit shown. Coil connection locations are typical for vertical units relative to lower bottom corner at entering air side.

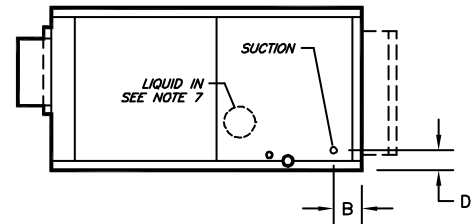
## TBH/TBV

Belt Drive Blower Coil Unit, Water HTG & R-410 SGL CKT CLG Coil, Coil Connection Location

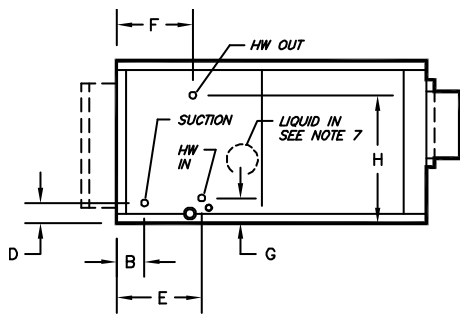


**RIGHT HAND**

**R-410 COOLING ONLY**



**LEFT HAND**

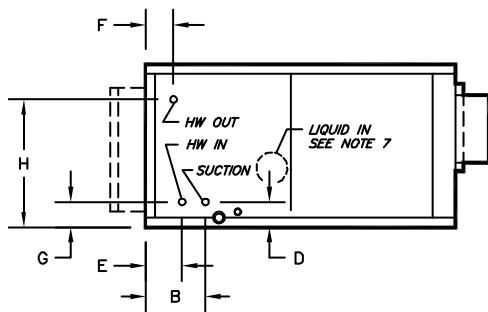
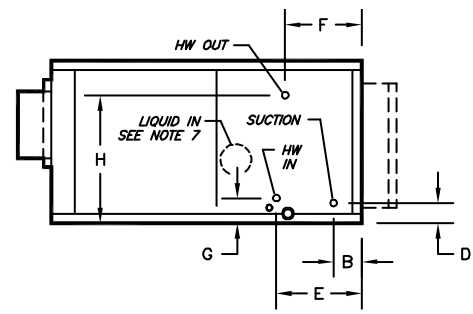


**RIGHT HAND**

**HW HEATING + R-410 COOLING**

**LEFT HAND**

**HW COIL IN RE-HEAT POSITION**

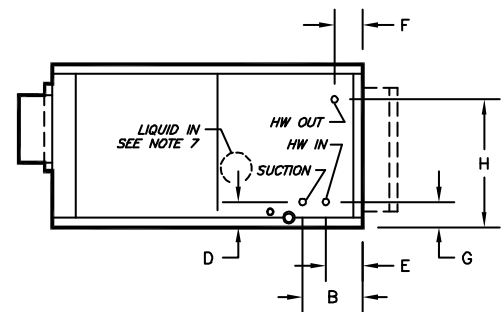


**RIGHT HAND**

**HW HEATING + R-410 COOLING**

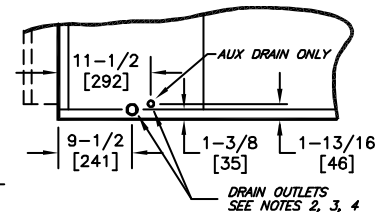
**LEFT HAND**

**HW COIL IN PRE-HEAT POSITION**



**FIG. 9**

**TYPICAL DRAIN LOCATIONS**



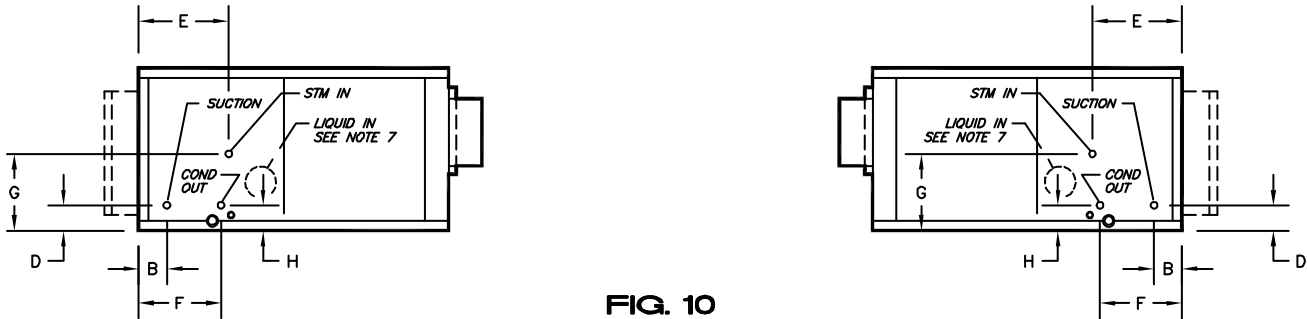
DRAIN OUTLETS  
SEE NOTES 2, 3, 4

### NOTES:

1. All dimensions are inches [millimeters]. All dimensions are  $\pm 1/4"$  (6mm). Metric values are soft conversion.
2. Standard galvanized IAQ drain pan has 1-1/8" ODM copper connection on one drain side.
3. Stainless steel IAQ drain pan has 1" galvanized Sch. 40 threaded steel connection on one side only.  
Optional Aux connection is 3/8" galvanized sch. 40 threaded steel on same side as coil hand.
4. Optional flat galvanized drain pan has 1-1/8" ODM copper connection. Optional Aux connection is 5/8" ODM copper.  
Standard and Aux connections are on both sides. Cap unused connections.
5. Heating – only units may not include a drain pan under heating coil. See actual order documents.
6. Horizontal unit shown. Coil connection locations are typical for vertical units relative to lower bottom corner at entering air side.
7. Connection at refrigerant distributor is internal to allow proper installation of expansion valve.

## TBH/TBV

Belt Drive Blower Coil Unit, STM HTG & R-410 SGL CKT CLG Coil, Coil Connection Location



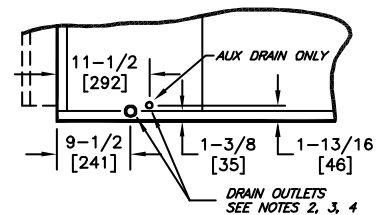
**FIG. 10**

**RIGHT HAND    STM HEATING + R-410 COOLING    LEFT HAND**  
**HTG COIL IN RE-HEAT POSITION**



**FIG. 11**

**RIGHT HAND    STM HEATING + R-410 COOLING    LEFT HAND**  
**HTG COIL IN PRE-HEAT POSITION**



**TYPICAL DRAIN LOCATIONS**

**NOTES:**

1. All dimensions are inches [millimeters]. All dimensions are  $\pm 1/4"$  (6mm). Metric values are soft conversion.
2. Standard galvanized IAQ drain pan has 1-1/8" ODM copper connection on one drain side.
3. Stainless steel IAQ drain pan has 1" galvanized Sch. 40 threaded steel connection on one side only.  
Optional Aux connection is 3/8" galvanized sch. 40 threaded steel on same side as coil hand.
4. Optional flat galvanized drain pan has 1-1/8" ODM copper connection. Optional Aux connection is 5/8" ODM copper.  
Standard and Aux connections are on both sides. Cap unused connections.
5. Heating – only units may not include a drain pan under heating coil. See actual order documents.
6. Horizontal unit shown. Coil connection locations are typical for vertical units relative to lower bottom corner at entering air side.
7. Connection at refrigerant distributor is internal to allow proper installation of expansion valve.

## TBH/TBV

Belt Drive Blower Coil Unit, STM HTG & R-410 SGL CKT CLG Coil, Coil Connection Location

### 1 ROW WATER COIL Heating Only

See Dwg. on  
Page 2, Fig. 1

Standard Circulation					
Unit Size	Coil Connex	A	B	C	D
8	5/8 [18]	4-1/2 [115]	2-5/8 [67]	4-1/8 [105]	15-3/4 [401]
12					
16					
20					15-7/8 [404]
30	7/8 [23]	4-5/8 [117]	2-3/8 [60]		20-7/8 [531]
40	1-1/8 [29]				23-3/8 [594]

"Lo GPM" Circulation					
Unit Size	Coil Connex	A	B	C	D
8	5/8 [18]	4-1/4 [108]	2-3/4 [70]	3-3/8 [86]	17-1/8 [435]
12					
16					
20					
30	7/8 [23]	4-1/2 [115]	2-5/8 [67]	4-1/8 [105]	20-7/8 [531]
40		23-3/8 [594]			

"High GPM" Circulation					
Unit Size	Coil Connex	A	B	C	D
8	7/8 [23]	4-1/2 [114]	2-5/8 [67]	4-1/8 [105]	15-3/4 [401]
12					
16					15-7/8 [404]
20	1-1/8 [29]		2-1/2 [64]		20-7/8 [531]
30					23-3/8 [594]
40					

#### NOTES:

1. All dimensions are inches [millimeters]. All dimensions are +- 1/4" (6mm). Metric values are soft conversion.
2. All connections are ODM copper sweat unless otherwise noted.
3. Field piping should be based on job requirements, not unit connection size.

## TBH/TBV

Belt Drive Blower Coil Unit, 2 Hot Water Coil – Heating Only, Coil Connection Location

### 2 ROW WATER COIL Heating Only

See Dwg. on  
Page 2, Fig. 1

Standard Circulation						
Unit Size	Coil Connex	A	B	C	D	
8	5/8 [18]	4-7/8 [124]	3-1/4 [83]	4-1/8 [105]	15-3/4 [401]	
12						
16	7/8 [23]	5 [127]	3-1/8 [79]		20-7/8 [531]	
20						15-7/8 [404]
30						1-1/8 [29]
40	1-3/8 [35]		4-3/8 [112]		23-1/8 [588]	

"Lo GPM" Circulation					
Unit Size	Coil Connex	A	B	C	D
8	5/8 [16]	4-1/8 [105]	4-1/8 [105]	3-1/8 [86]	16-3/4 [426]
12					
16	7/8 [23]	5 [127]	3-1/8 [79]	4-1/8 [105]	15-3/4 [401]
20					15-7/8 [404]
30					20-7/8 [531]
40	1-1/8 [29]				23-3/8 [594]

"High GPM" Circulation					
Unit Size	Coil Connex	A	B	C	D
8	7/8 [23]	5 [127]	3-1/8 [79]	4-1/8 [105]	15-3/4 [401]
12					
16	1-1/8 [29]				15-7/8 [404]
20				20-5/8 [524]	
30	1-3/8 [35]			4-3/8 [112]	23-1/8 [588]
40					

#### NOTES:

1. All dimensions are inches [millimeters]. All dimensions are +- 1/4" (6mm). Metric values are soft conversion.
2. All connections are ODM copper sweat unless otherwise noted.
3. Field piping should be based on job requirements, not unit connection size.

## TBH/TBV

Belt Drive Blower Coil Unit, 1 Hot Water Coil – In Pre-Heat Only, Coil Connection Location

### 1 ROW WATER COIL In Pre-Heat Position

See Dwgs. on  
Page 2, Fig. 3  
Page 4, Fig. 9

Standard Circulation					
Unit Size	Coil Connex	E	F	G	H
8	5/8 [16]	4-1/2 [115]	2-3/4 [70]	4-1/8 [105]	15-3/4 [401]
12					
16					15-7/8 [404]
20					
30	7/8 [23]	4-5/8 [117]	2-3/8 [60]	20-7/8 [531]	23-3/8 [594]
40					

"Lo GPM" Circulation								
Unit Size	Coil Connex	E	F	G	H			
8	5/8 [16]	4-1/4 [108]	2-3/4 [70]	3-3/8 [86]	17-1/8 [435]			
12								
16					4-1/2 [115]	2-5/8 [67]	4-1/8 [105]	20-7/8 [531]
20								
30	7/8 [23]	4-1/2 [115]	2-5/8 [67]	4-1/8 [105]	23-3/8 [594]			
40								

"High GPM" Circulation					
Unit Size	Coil Connex	E	F	G	H
8	7/8 [23]	4-1/2 [115]	2-5/8 [67]	4-1/8 [105]	15-3/4 [401]
12					
16					20-7/8 [531]
20					
30	1-1/8 [29]	4-1/2 [114]	2-1/2 [64]	23-3/8 [594]	23-3/8 [594]
40					

#### NOTES:

1. All dimensions are inches [millimeters]. All dimensions are +- 1/4" (6mm). Metric values are soft conversion.
2. All connections are ODM copper sweat unless otherwise noted.
3. Field piping should be based on job requirements, not unit connection size.



## TBH/TBV

Belt Drive Blower Coil Unit, 2 Hot Water Coil – In Pre-Heat, Coil Connection Location

### 2 ROW WATER COIL In Pre-Heat Position

See Dwgs. on  
Page 2, Fig. 3  
Page 4, Fig. 9

Standard Circulation						
Unit Size	Coil Connex	E	F	G	H	
8	5/8 [16]	4-7/8 [124]	3-1/4 [83]	4-1/8 [105]	15-3/4 [401]	
12						
16	7/8 [23]	5 [127]	3-1/8 [79]		4-1/8 [105]	15-7/8 [404]
20						
30	1-1/8 [29]					20-7/8 [531]
40	1-3/8 [35]				4-3/8 [112]	

"Lo GPM" Circulation					
Unit Size	Coil Connex	E	F	G	H
8	5/8 [16]	4-1/8 [105]	4-1/8 [105]	3-1/8 [86]	16-3/4 [426]
12					
16	7/8 [23]	5 [127]	3-1/8 [79]	4-1/8 [105]	15-3/4 [401]
20					15-7/8 [404]
30	20-7/8 [531]				
40	23-3/8 [594]				

"High GPM" Circulation					
Unit Size	Coil Connex	E	F	G	H
8	7/8 [23]	5 [127]	3-1/8 [79]	4-1/8 [105]	15-3/4 [401]
12					
16	1-1/8 [29]				15-7/8 [404]
20				20-5/8 [524]	
30	1-3/8 [35]				4-3/8 [112]
40					

**NOTES:**

1. All dimensions are inches [millimeters]. All dimensions are +- 1/4" (6mm). Metric values are soft conversion.
2. All connections are ODM copper sweat unless otherwise noted.
3. Field piping should be based on job requirements, not unit connection size.

## TBH/TBV

Belt Drive Blower Coil Unit, 4 Row Water Cooling/Heating Only or w/ Re-Heat, Coil Connection Location

### 4 ROW WATER COIL Cooling/Heating Only or with Re-Heat Coil

See Dwgs. on  
Page 2, Figs. 1 & 2  
Page 3, Fig. 5

Standard Circulation					
Unit Size	Coil Connex	A	B	C	D
8	7/8 [23]	6-7/8 [175]	3-5/8 [92]	4-1/8 [105]	15-3/4 [401]
12					
16		15-7/8 [404]			
20					
30	1-1/8 [29]	20-7/8 [531]			
40	1-3/8 [35]			4-3/8 [112]	23-1/8 [588]

"Lo GPM" Circulation					
Unit Size	Coil Connex	A	B	C	D
8	7/8 [23]	6-7/8 [175]	3-5/8 [92]	4-1/8 [105]	15-3/4 [401]
12					
16					15-7/8 [404]
20					
30	1-1/8 [29]				20-7/8 [531]
40	1-3/8 [35]				

"High GPM" Circulation					
Unit Size	Coil Connex	A	B	C	D
8	7/8 [23]	6-7/8 [175]	3-5/8 [92]	4-1/8 [105]	15-3/4 [401]
12	1-1/8 [29]				
16					15-7/8 [404]
20					
30	1-3/8 [35]			4-3/8 [112]	20-5/8 [524]
40	1-5/8 [42]				

#### NOTES:

1. All dimensions are inches [millimeters]. All dimensions are +- 1/4" (6mm). Metric values are soft conversion.
2. All connections are ODM copper sweat unless otherwise noted.
3. Field piping should be based on job requirements, not unit connection size.

## TBH/TBV

Belt Drive Blower Coil Unit, 6 Row Water Cooling/Heating Only or w/ Re-Heat, Coil Connection Location

### 6 ROW WATER COIL Cooling/Heating Only or with Re-Heat Coil

See Dwgs. on  
Page 2, Figs. 1 & 2  
Page 3, Fig. 5

Standard Circulation					
Unit Size	Coil Connex	A	B	C	D
8	7/8 [23]	9-1/8 [232]	3-5/8 [92]	4-1/8 [105]	15-3/4 [401]
12					
16	1-1/8 [29]				15-7/8 [404]
20					
30	1-3/8 [35]			4-3/8 [112]	20-5/8 [523]
40	1-5/8 [42]				23-1/8 [588]

"Lo GPM" Circulation						
Unit Size	Coil Connex	A	B	C	D	
8	7/8 [23]	9-1/8 [232]	3-5/8 [92]	4-1/8 [105]	15-3/4 [401]	
12						
16					1-1/8 [29]	15-7/8 [404]
20						
30	1-1/8 [29]				20-7/8 [531]	
40					23-3/8 [594]	

"High GPM" Circulation					
Unit Size	Coil Connex	A	B	C	D
8	7/8 [23]	9-1/8 [232]	3-5/8 [92]	4-1/8 [105]	15-3/4 [401]
12					
16	1-1/8 [29]				15-7/8 [404]
20	1-3/8 [35]				
30	1-5/8 [42]			4-3/8 [112]	20-5/8 [524]
40	2-1/8 [54]			4-5/8 [118]	22-7/8 [582]

#### NOTES:

1. All dimensions are inches [millimeters]. All dimensions are +- 1/4" (6mm). Metric values are soft conversion.
2. All connections are ODM copper sweat unless otherwise noted.
3. Field piping should be based on job requirements, not unit connection size.

## TBH/TBV

Belt Drive Blower Coil Unit, 1 Row HW in Re-Heat w/ 3 Row Cooling, Coil Connection Location

### 1 ROW WATER COIL in Re-Heat with 3 Row Cooling

See Dwgs. on  
Page 2, Fig. 2  
Page 4, Fig. 8

Standard Circulation					
Unit Size	Coil Connex	E	F	G	H
8	5/8 [16]	9-3/4 [248]	8 [203]	4-1/8 [105]	15-3/4 [401]
12					
16					15-7/8 [404]
20					
30	7/8 [23]	8-7/8 [225]	8-7/8 [225]	20-7/8 [531]	23-3/8 [594]
40	1-1/8 [29]				

"Lo GPM" Circulation					
Unit Size	Coil Connex	E	F	G	H
8	5/8 [16]	8-7/8 [225]	8-7/8 [225]	3-3/8 [86]	17-1/8 [435]
12					
16					20-7/8 [531]
20					
30	9-3/4 [248]	8 [203]	4-1/8 [105]	23-3/8 [594]	
40	7/8 [23]				

"High GPM" Circulation					
Unit Size	Coil Connex	E	F	G	H
8	7/8 [23]	9-3/4 [248]	8 [203]	4-1/8 [105]	15-3/4 [401]
12					
16					15-7/8 [404]
20					
30	1-1/8 [29]	8-7/8 [225]	8-7/8 [225]	20-7/8 [531]	23-3/8 [594]
40					

#### NOTES:

1. All dimensions are inches [millimeters]. All dimensions are +- 1/4" (6mm). Metric values are soft conversion.
2. All connections are ODM copper sweat unless otherwise noted.
3. Field piping should be based on job requirements, not unit connection size.

## TBH/TBV

Belt Drive Blower Coil Unit, 6 Row Water Cooling/Heating Only or w/ Re-Heat, Coil Connection Location

### 1 ROW WATER COIL in Re-Heat with 4 Row Cooling

See Dwgs. on  
Page 2, Fig. 2  
Page 4, Fig. 8

Standard Circulation					
Unit Size	Coil Connex	E	F	G	H
8	5/8 [16]	10-3/4 [274]	9 [229]	4-1/8 [105]	15-3/4 [401]
12					
16					15-7/8 [404]
20					
30	7/8 [23]	10-3/4 [274]	9-7/8 [251]	20-7/8 [531]	
40	1-1/8 [29]	9-7/8 [251]			23-3/8 [594]

"Lo GPM" Circulation					
Unit Size	Coil Connex	E	F	G	H
8	5/8 [16]	9-7/8 [251]	9-7/8 [251]	3-3/8 [86]	17-1/8 [435]
12					
16					
20					
30	7/8 [23]	10-3/4 [274]	9 [229]	4-1/8 [105]	20-7/8 [531]
40					23-3/8 [594]

"High GPM" Circulation					
Unit Size	Coil Connex	E	F	G	H
8	7/8 [23]	10-3/4 [274]	9 [229]	4-1/8 [105]	15-3/4 [401]
12					
16					15-7/8 [404]
20					
30	1-1/8 [29]	9-7/8 [251]	9-7/8 [251]	20-7/8 [531]	
40					23-3/8 [594]

#### NOTES:

1. All dimensions are inches [millimeters]. All dimensions are +- 1/4" (6mm). Metric values are soft conversion.
2. All connections are ODM copper sweat unless otherwise noted.
3. Field piping should be based on job requirements, not unit connection size.

## TBH/TBV

Belt Drive Blower Coil Unit, 1 Row HW in Re-Heat w/ 6 Row Cooling, Coil Connection Location

### 1 ROW WATER COIL in Re-Heat with 6 Row Cooling

See Dwgs. on  
Page 2, Fig. 2  
Page 4, Fig. 8

Standard Circulation					
Unit Size	Coil Connex	E	F	G	H
8	5/8 [16]	13 [331]	11-1/4 [286]	4-1/8 [105]	15-3/4 [401]
12					
16					
20					15-7/8 [404]
30	7/8 [23]	12-1/8 [308]	12-1/8 [308]		20-7/8 [531]
40	1-1/8 [29]				23-3/8 [594]

"Lo GPM" Circulation					
Unit Size	Coil Connex	E	F	G	H
8	5/8 [16]	12-1/8 [308]	12-1/8 [308]	3-3/8 [86]	17-1/8 [435]
12					
16					
20					
30	7/8 [23]	13 [331]	11-1/4 [286]	4-1/8 [105]	20-7/8 [531]
40		23-3/8 [594]			

"High GPM" Circulation					
Unit Size	Coil Connex	E	F	G	H
8	7/8 [23]	13 [331]	11-1/4 [286]	4-1/8 [105]	15-3/4 [401]
12					
16					
20					15-7/8 [404]
30	1-1/8 [29]	12-1/8 [308]	12-1/8 [308]		20-7/8 [531]
40					23-3/8 [594]

#### NOTES:

1. All dimensions are inches [millimeters]. All dimensions are  $\pm \frac{1}{4}$ " (6mm). Metric values are soft conversion.
2. All connections are ODM copper sweat unless otherwise noted.
3. Field piping should be based on job requirements, not unit connection size.

## TBH/TBV

Belt Drive Blower Coil Unit, 2 Row HW in Re-Heat w/ 4 Row Cooling, Coil Connection Location

### 2 ROW WATER COIL in Re-Heat with 4 Row Cooling

See Dwgs. on  
Page 2, Fig. 2  
Page 4, Fig. 8

Standard Circulation					
Unit Size	Coil Connex	E	F	G	H
8	5/8 [16]	11-1/8 [283]	9-1/2 [241]	4-1/8 [105]	15-3/4 [401]
12					
16	7/8 [23]	11-1/4 [286]	9-3/8 [238]		15-7/8 [404]
20					
30	1-1/8 [29]			20-7/8 [531]	
40	1-3/8 [35]				4-3/8 [112]

"Lo GPM" Circulation					
Unit Size	Coil Connex	E	F	G	H
8	5/8 [16]	11-1/8 [283]	9-1/2 [241]	3-1/8 [86]	16-3/4 [426]
12				4-1/8 [105]	15-3/4 [401]
16					
20	7/8 [23]	11-1/4 [286]	9-3/8 [238]	15-7/8 [404]	20-7/8 [531]
30				4-1/8 [105]	
40	1-1/8 [29]				23-1/8 [588]
	1-3/8 [35]				

"High GPM" Circulation					
Unit Size	Coil Connex	E	F	G	H
8	7/8 [23]	11-1/4 [286]	9-3/8 [238]	4-1/8 [105]	15-3/4 [401]
12					
16	1-1/8 [29]				15-7/8 [404]
20					
30	1-3/8 [35]	4-3/8 [112]	20-5/8 [524]		
40				23-1/8 [588]	

#### NOTES:

1. All dimensions are inches [millimeters]. All dimensions are +- 1/4" (6mm). Metric values are soft conversion.
2. All connections are ODM copper sweat unless otherwise noted.
3. Field piping should be based on job requirements, not unit connection size.

## TBH/TBV

Belt Drive Blower Coil Unit 2 Row HW in Re-Heat w/6 Row Cooling Coil Connection Location

### 2 ROW WATER COIL In Re-Heat with 6 Row Cooling

#### DIMENSIONS - In [mm]

See Dwgs. on  
Page 2, Fig. 2  
Page 4, Fig. 8

STANDARD CIRCULATION					
UNIT SIZE	COIL CONNEX	A	B	C	D
8	5/8 [16]	13-3/8 [340]	11-3/4 [298]	4-1/8 [105]	15-3/4 [401]
12					
16	7/8 [23]	13-1/2 [343]	11-5/8 [295]		15-7/8 [404]
20					20-7/8 [531]
30	1-1/8 [29]			4-3/8 [112]	23-1/8 [588]
40	1-3/8 [35]				

"LO GPM" CIRCULATION					
UNIT SIZE	COIL CONNEX	A	B	C	D
8	5/8 [16]	13-3/8 [340]	11-3/4 [298]	3-1/8 [86]	16-3/4 [426]
12				4-1/8 [105]	15-3/4 [401]
16					15-7/8 [404]
20	7/8 [23]	13-1/2 [343]	11-5/8 [295]	20-7/8 [531]	23-3/8 [594]
30				23-3/8 [594]	
40	1-1/8 [29]			4-3/8 [112]	23-1/8 [588]

"HIGH GPM" CIRCULATION					
UNIT SIZE	COIL CONNEX	A	B	C	D
8	7/8 [23]	13-1/2 [343]	11-5/8 [295]	4-1/8 [105]	15-3/4 [401]
12					
16	15-7/8 [404]				
20	1-1/8 [29]			4-3/8 [112]	23-1/8 [588]
30	1-3/8 [35]	4-3/8 [112]	23-1/8 [588]		
40					

#### Notes:

- All dimensions are Inches [millimeters].  
All dimensions are  $\pm 1/2"$  [13mm]. Metric Values are soft conversions.
- All connections are ODM copper sweat unless otherwise noted.
- Field piping should be based on job requirements, not unit connection size.





## TBH/TBV

Belt Drive Blower Coil Unit 4 Row Water Coil W/1 Row HW Pre-Heat Coil Connection Location

### 4 ROW WATER COIL With 1 Row HW Pre-Heat Coil

DIMENSIONS - In [mm]  
See Dwgs. on Page 2, Fig. 3

STANDARD CIRCULATION					
UNIT SIZE	COIL CONNEX	A	B	C	D
8	7/8 [23]	9-7/8 [251]	6-5/8 [169]	4-1/8 [105]	15-3/4 [401]
12					
16					
20	1-1/8 [29]				15-7/8 [404]
30					20-7/8 [531]
40	1-3/8 [35]			4-3/8 [112]	23-1/8 [588]

"LO GPM" CIRCULATION					
UNIT SIZE	COIL CONNEX	A	B	C	D
8	7/8 [23]	9-7/8 [251]	6-5/8 [169]	4-1/8 [105]	15-3/4 [401]
12					
16					
20	1-1/8 [29]				15-7/8 [404]
30					20-7/8 [531]
40					23-3/8 [594]

"HIGH GPM" CIRCULATION					
UNIT SIZE	COIL CONNEX	A	B	C	D
8	7/8 [23]	9-7/8 [251]	6-5/8 [169]	4-1/8 [105]	15-3/4 [401]
12	1-1/8 [29]				
16					
20					15-7/8 [404]
30	1-3/8 [35]				20-5/8 [524]
40	1-5/8 [42]			4-3/8 [112]	23-1/8 [588]

#### Notes:

- All dimensions are Inches [millimeters].  
All dimensions are  $\pm 1/2"$  [13mm]. Metric Values are soft conversions.
- All connections are ODM copper sweat unless otherwise noted.
- Field piping should be based on job requirements, not unit connection size.

## TBH/TBV

Belt Drive Blower Coil Unit 4 Row Water Coil W/2 Row HW Pre-Heat Coil Connection Location

### 4 ROW WATER COIL With 2 Row HW Pre-Heat Coil

DIMENSIONS - In [mm]  
See Dwgs. on Page 2, Fig. 3

STANDARD CIRCULATION					
UNIT SIZE	COIL CONNEX	A	B	C	D
8	7/8 [23]	11 [279]	7-3/4 [197]	4-1/8 [105]	15-3/4 [401]
12					
16					
20	15-7/8 [404]				
30	1-1/8 [29]			20-7/8 [531]	
40	1-3/8 [35]			4-3/8 [112]	23-1/8 [588]

"LO GPM" CIRCULATION					
UNIT SIZE	COIL CONNEX	A	B	C	D
8	7/8 [23]	11 [279]	7-3/4 [197]	4-1/8 [105]	15-3/4 [401]
12					
16					
20					15-7/8 [404]
30	1-1/8 [29]				20-7/8 [531]
40	1-3/8 [35]				23-3/8 [594]

"HIGH GPM" CIRCULATION					
UNIT SIZE	COIL CONNEX	A	B	C	D
8	7/8 [23]	11 [279]	7-3/4 [197]	4-1/8 [105]	15-3/4 [401]
12	1-1/8 [29]				
16					
20	15-7/8 [404]				
30	1-3/8 [35]			4-3/8 [112]	20-5/8 [524]
40	1-5/8 [42]			22-7/8 [582]	

Notes:

- All dimensions are Inches [millimeters].  
All dimensions are  $\pm 1/2"$  [13mm]. Metric Values are soft conversions.
- All connections are ODM copper sweat unless otherwise noted.
- Field piping should be based on job requirements, not unit connection size.

## TBH/TBV

Belt Drive Blower Coil Unit 4 Row Water Coil W/2 Row HW Pre-Heat Coil Connection Location

### 6 ROW WATER COIL With 1 Row HW Pre-Heat Coil

DIMENSIONS - In [mm]  
See Dwg. On Page 2, Fig. 3

STANDARD CIRCULATION					
UNIT SIZE	COIL CONNEX	A	B	C	D
8	7/8 [23]	12-1/8 [308]	6-5/8 [169]	4-1/8 [105]	15-3/4 [401]
12					
16	15-7/8 [404]				
20					
30	20-7/8 [531]				
40	23-1/8 [588]				

"LO GPM" CIRCULATION					
UNIT SIZE	COIL CONNEX	A	B	C	D
8	7/8 [23]	12-1/8 [308]	6-5/8 [169]	4-1/8 [105]	15-3/4 [401]
12					
16					15-7/8 [404]
20					
30	20-7/8 [531]				
40	23-3/8 [594]				

"HIGH GPM" CIRCULATION					
UNIT SIZE	COIL CONNEX	A	B	C	D
8	7/8 [23]	12-1/8 [308]	6-5/8 [169]	4-1/8 [105]	15-3/4 [401]
12					
16	15-7/8 [404]				
20					
30	20-5/8 [524]				
40	22-7/8 [582]				

Notes:

- All dimensions are Inches [millimeters].  
All dimensions are  $\pm 1/2"$  [13mm]. Metric Values are soft conversions.
- All connections are ODM copper sweat unless otherwise noted.
- Field piping should be based on job requirements, not unit connection size.

## TBH/TBV

Belt Drive Blower Coil Unit 6 Row Water Coil W/2 Row HW Pre-Heat Coil Connection Location

### 6 ROW WATER COIL With 2 Row HW Pre-Heat Coil

DIMENSIONS - In [mm]  
See Dwgs. on Page 2, Fig. 3

STANDARD CIRCULATION					
UNIT SIZE	COIL CONNEX	A	B	C	D
8	7/8 [23]	13-1/4 [337]	7-3/4 [197]	4-1/8 [105]	15-3/4 [401]
12					
16	15-7/8 [404]				
20					
30	1-1/8 [29]			4-3/8 [112]	20-7/8 [531]
40	1-3/8 [35]				23-1/8 [588]
	1-5/8 [42]				

"LO GPM" CIRCULATION					
UNIT SIZE	COIL CONNEX	A	B	C	D
8	7/8 [23]	13-1/4 [337]	7-3/4 [197]	4-1/8 [105]	15-3/4 [401]
12					
16					15-7/8 [404]
20					
30	1-1/8 [29]				20-7/8 [531]
40	1-3/8 [35]				23-3/8 [594]

"HIGH GPM" CIRCULATION					
UNIT SIZE	COIL CONNEX	A	B	C	D
8	7/8 [23]	13-1/4 [337]	7-3/4 [197]	4-1/8 [105]	15-3/4 [401]
12					
16	15-7/8 [404]				
20					
30	1-1/8 [29]			4-3/8 [112]	20-5/8 [524]
40	1-3/8 [35]				22-7/8 [582]
	1-5/8 [42]				
	2-1/8 [54]				

Notes:

- All dimensions are Inches [millimeters].  
All dimensions are  $\pm 1/2"$  [13mm]. Metric Values are soft conversions.
- All connections are ODM copper sweat unless otherwise noted.
- Field piping should be based on job requirements, not unit connection size.

## TBH/TBV

Belt Drive Blower Coil Unit 1 Row Steam Heating Coil Connection Location

### 1 ROW STEAM COIL

DIMENSIONS - In [mm]

See Dwgs.

Page 3, Fig. 4 & 6

CCC-004-J, Fig. 11

HEATING ONLY AND PRE-HEAT						
UNIT SIZE	STM CONN	COIL CONN	E	F	G	H
8						
12	1-1/8 [29]	7/8 [22]	6-1/8 [156]	4-3/8 [112]	10-7/8 [277]	3-1/2 [89]
16						
20	1-3/8 [35]	1-1/8 [29]	6-1/4 [159]	4-1/4 [115]	12-1/8 [308]	3-5/8 [92]
30	1-5/8 [42]		6-3/8 [163]	4-1/8 [105]	13-3/8 [340]	
40	2-1/8 [54]	1-3/8 [35]	6-1/2 [166]	4 [102]	14-5/8 [372]	3-3/4 [96]

RE-HEAT W/3 ROW CLG						
UNIT SIZE	STM CONN	COIL CONN	E	F	G	H
8						
12	1-1/8 [29]	7/8 [22]	11-3/8 [289]	9-5/8 [244]	10-7/8 [277]	3-1/2 [89]
16						
20	1-3/8 [35]	1-1/8 [29]	11-1/2 [292]	9-1/2 [241]	12-1/8 [308]	3-5/8 [92]
30	1-5/8 [42]		11-5/8 [295]	9-3/8 [238]	13-3/8 [340]	
40	2-1/8 [54]	1-3/8 [35]	11-3/4 [298]	9-1/4 [235]	14-5/8 [372]	3-3/4 [96]

RE-HEAT W/4 ROW CLG						
UNIT SIZE	STM CONN	COIL CONN	E	F	G	H
8						
12	1-1/8 [29]	7/8 [22]	12-3/8 [314]	10-5/8 [270]	10-7/8 [277]	3-1/2 [89]
16						
20	1-3/8 [35]	1-1/8 [29]	12-1/2 [318]	10-1/2 [267]	12-1/8 [308]	3-5/8 [92]
30	1-5/8 [42]		12-5/8 [321]	10-3/8 [264]	13-3/8 [340]	
40	2-1/8 [54]	1-3/8 [35]	12-3/4 [324]	10-1/4 [280]	14-5/8 [372]	3-3/4 [96]

**Notes:**

- All dimensions are Inches [millimeters].  
All dimensions are  $\pm 1/2"$  [13mm]. Metric Values are soft conversions.
- All connections are ODM copper sweat unless otherwise noted.
- Field piping should be based on job requirements, not unit connection size.

## TBH/TBV

Belt Drive Blower Coil Unit 2 Row Steam Heating Coil Connection Location

### 2 ROW STEAM COIL

DIMENSIONS - In [mm]

See Dwgs.

Page 3, Fig. 4 & 6

CCC-004-J, Fig. 11

HEATING ONLY AND PRE-HEAT									
UNIT SIZE	STM CONN	COIL CONN	E	F	G	H			
8	1-1/8	7/8	6-3/4	3-3/4	10-1/4	2-3/4			
12	[29]	[22]	[172]				[281]	[70]	
16	1-3/8	1-1/8	6-7/8		3-5/8	11-1/2	2-7/8		
20	[35]			[29]		[175]		[293]	[74]
30	1-5/8			[42]		[175]		[92]	12-3/4
40	2-1/8	1-3/8	7	3-1/2	14	3			
	[54]	[35]	[178]	[89]	[356]	[77]			

RE-HEAT W/3 ROW CLG									
UNIT SIZE	STM CONN	COIL CONN	E	F	G	H			
8	1-1/8	7/8	12	9	10-1/4	2-3/4			
12	[29]	[22]	[229]				[281]	[70]	
16	1-3/8	1-1/8	12-1/8		8-7/8	11-1/2	2-7/8		
20	[35]			[29]		[308]		[293]	[74]
30	1-5/8			[42]		[308]		[225]	12-3/4
40	2-1/8	1-3/8	12-1/4	8-3/4	14	3			
	[54]	[35]	[311]	[222]	[356]	[77]			

RE-HEAT W/4 ROW CLG									
UNIT SIZE	STM CONN	COIL CONN	E	F	G	H			
8	1-1/8	7/8	13	10	10-1/4	2-3/4			
12	[29]	[22]	[330]				[281]	[70]	
16	1-3/8	1-1/8	13-1/8		9-7/8	11-1/2	2-7/8		
20	[35]			[29]		[333]		[293]	[74]
30	1-5/8			[42]		[333]		[251]	12-3/4
40	2-1/8	1-3/8	13-1/4	9-3/4	14	3			
	[54]	[35]	[337]	[248]	[356]	[77]			

**Notes:**

- All dimensions are Inches [millimeters].  
All dimensions are  $\pm 1/2"$  [13mm]. Metric Values are soft conversions.
- All connections are ODM copper sweat unless otherwise noted.
- Field piping should be based on job requirements, not unit connection size.

## TBH/TBV

Belt Drive Blower Coil Unit 3 Row Water Coil – Heating or Cooling Coil Connection Location

### 3 ROW WATER COIL In Pre-Heat Position

DIMENSIONS - In [mm]  
See Dwgs. on Page 2, Fig. 3

STANDARD CIRCULATION					
UNIT SIZE	COIL CONNEX	E	F	G	H
8	7/8 [23]	5-7/8 [150]	3-5/8 [92]	4-1/8 [105]	15-3/4 [401]
12					
16					
20	1-1/8 [29]				18-3/8 [467]
30					20-7/8 [531]
40	1-3/8 [35]				23-3/8 [594]

"LO GPM" CIRCULATION						"HIGH GPM" CIRCULATION					
UNIT SIZE	COIL CONNEX	E	F	G	H	UNIT SIZE	COIL CONNEX	E	F	G	H
8	5/8 [16]				15-3/4 [401]	8	7/8 [23]				15-3/4 [401]
12						12					
16	7/8 [23]	5-7/8 [150]	3-5/8 [92]	4-1/8 [105]	18-3/8 [467]	16	1-1/8 [29]	5-7/8 [150]	3-5/8 [92]	4-1/8 [105]	18-3/8 [467]
20						20					
30	1-1/8 [29]				20-7/8 [531]	30	1-3/8 [35]				20-5/8 [524]
40					23-3/8 [594]	40					4-3/8 [112]

#### Notes:

- All dimensions are Inches [millimeters].  
All dimensions are  $\pm 1/2"$  [13mm]. Metric Values are soft conversions.
- All connections are ODM copper sweat unless otherwise noted.
- Field piping should be based on job requirements, not unit connection size.

## TBH/TBV

Belt Drive Blower Coil Unit 3 Row Water Coil – Cooling/Heating Only or w/Re-Heat Coil Connection Location

### 3 ROW WATER COIL Cooling/Heating Only or with Re-Heat Coil

#### DIMENSIONS - In [mm]

See Dwgs. on  
Page 2, Fig. 1 & 2  
Page 3, Fig. 5

STANDARD CIRCULATION						
UNIT SIZE	COIL CONNEX	A	B	C	D	
8	7/8 [23]	5-7/8 [150]	3-5/8 [92]	4-1/8 [105]	15-3/4 [401]	
12						
16						
20	1-1/8 [29]				18-3/8 [467]	
30						20-7/8 [531]
40						23-3/8 [594]

"LO GPM" CIRCULATION						"HIGH GPM" CIRCULATION					
UNIT SIZE	COIL CONNEX	A	B	C	D	UNIT SIZE	COIL CONNEX	A	B	C	D
8	5/8 [16]	5-7/8 [150]	3-5/8 [92]	4-1/8 [105]	15-3/4 [401]	8	7/8 [23]	5-7/8 [150]	3-5/8 [92]	4-1/8 [105]	15-3/4 [401]
12						12					
16	1-1/8 [29]					18-3/8 [467]					
20					20		20-5/8 [524]				
30					30		23-1/8 [588]				
40	40				4-3/8 [112]						

#### Notes:

- All dimensions are Inches [millimeters].  
All dimensions are  $\pm 1/2"$  [13mm]. Metric Values are soft conversions.
- All connections are ODM copper sweat unless otherwise noted.
- Field piping should be based on job requirements, not unit connection size.



## TBH/TBV

Belt Drive Blower Coil Unit 3 Row Water Coil W/3 Row HW Pre-Heat Coil Connection Location

### 3 ROW WATER COIL With 3 Row HW Pre-Heat Coil

#### DIMENSIONS - In [mm]

See Dwgs. on  
Page 2, Fig. 3  
Page 3, Fig. 5  
Page 4, Fig. 8

STANDARD CIRCULATION					
UNIT SIZE	COIL CONNEX	A	B	C	D
8	7/8 [23]	11-1/8 [283]	8-7/8 [225]	4-1/8 [105]	15-3/4 [401]
12					
16					
20	1-1/8 [29]				18-3/8 [467]
30					20-7/8 [531]
40	1-3/8 [35]				23-3/8 [594]

"LO GPM" CIRCULATION						"HIGH GPM" CIRCULATION					
UNIT SIZE	COIL CONNEX	A	B	C	D	UNIT SIZE	COIL CONNEX	A	B	C	D
8	5/8 [16]				15-3/4 [401]	8	7/8 [23]				15-3/4 [401]
12						12					
16	7/8 [23]	11-1/8 [283]	8-7/8 [225]	4-1/8 [105]	18-3/8 [467]	16	1-1/8 [29]	11-1/8 [283]	8-7/8 [225]	4-1/8 [105]	18-3/8 [467]
20						20					
30	1-1/8 [29]				20-7/8 [531]	1-3/8 [35]				4-3/8 [112]	23-1/8 [588]
40					23-3/8 [594]						

#### Notes:

- All dimensions are Inches [millimeters].  
All dimensions are  $\pm 1/2"$  [13mm]. Metric Values are soft conversions.
- All connections are ODM copper sweat unless otherwise noted.
- Field piping should be based on job requirements, not unit connection size.

## TBH/TBV

Belt Drive Blower Coil Unit 2 Row Water Coil W/1 Row HW Pre-Heat Coil Connection Location

### 2 ROW WATER COIL In Re-Heat with 3 Row Cooling

#### DIMENSIONS - In [mm]

See Dwgs. on  
Page 2, Fig. 2  
Page 3, Fig. 5  
Page 4, Fig. 8

STANDARD CIRCULATION					
UNIT SIZE	COIL CONNEX	E	F	G	H
8	5/8 [16]	10-1/8 [258]	8-1/2 [216]	4-1/8 [105]	15-3/4 [401]
12					
16	7/8 [23]	8-3/8 [213]	8-3/8 [213]		18-3/8 [467]
20					20-7/8 [531]
30				1-1/8 [29]	23-3/8 [594]
40	1-3/8 [35]			4-3/8 [112]	

"LO GPM" CIRCULATION					
UNIT SIZE	COIL CONNEX	E	F	G	H
8	5/8 [16]	10 [254]	8-1/2 [216]	3-1/8 [86]	16-3/4 [426]
12					
16	7/8 [23]	10-1/4 [260]	4-1/8 [105]	4-1/8 [105]	15-3/4 [401]
20					15-7/8 [404]
30					20-7/8 [531]
40					23-3/8 [594]

"HIGH GPM" CIRCULATION					
UNIT SIZE	COIL CONNEX	E	F	G	H
8	7/8 [23]	10-1/4 [260]	8-3/8 [213]	4-1/8 [105]	15-3/4 [401]
12					
16	1-1/8 [29]	10-1/4 [260]	8-3/8 [213]	4-1/8 [105]	15-7/8 [404]
20					20-5/8 [524]
30					1-3/8 [35]
40				4-3/8 [112]	

#### Notes:

- All dimensions are Inches [millimeters].  
All dimensions are  $\pm 1/2"$  [13mm]. Metric Values are soft conversions.
- All connections are ODM copper sweat unless otherwise noted.
- Field piping should be based on job requirements, not unit connection size.



## TBH/TBV

Belt Drive Blower Coil Unit 3 Row Water Coil W/1 Row HW Pre-Heat Coil Connection Location

### 3 ROW WATER COIL With 1 Row HW Pre-Heat Coil

DIMENSIONS - In [mm]  
See Dwgs. on Page 2, Fig. 3

STANDARD CIRCULATION					
UNIT SIZE	COIL CONNEX	A	B	C	D
8	7/8 [23]	8-7/8 [225]	6-5/8 [166]	4-1/8 [105]	15-3/4 [401]
12					
16					
20	1-1/8 [29]				18-3/8 [467]
30					20-7/8 [531]
40	1-3/8 [35]				23-3/8 [594]

"LO GPM" CIRCULATION						"HIGH GPM" CIRCULATION					
UNIT SIZE	COIL CONNEX	A	B	C	D	UNIT SIZE	COIL CONNEX	A	B	C	D
8	5/8 [16]				15-3/4 [401]	8	7/8 [23]				15-3/4 [401]
12						12					
16	7/8 [23]	8-7/8 [225]	6-5/8 [166]	4-1/8 [105]	18-3/8 [467]	16	1-1/8 [29]	8-7/8 [225]	6-5/8 [166]	4-1/8 [105]	18-3/8 [467]
20						20					
30	1-1/8 [29]				20-7/8 [531]	30	1-3/8 [35]				20-5/8 [524]
40					23-3/8 [594]						40

#### Notes:

- All dimensions are Inches [millimeters].  
All dimensions are  $\pm 1/2"$  [13mm]. Metric Values are soft conversions.
- All connections are ODM copper sweat unless otherwise noted.
- Field piping should be based on job requirements, not unit connection size.



## TBH/TBV

Belt Drive Blower Coil Unit 3 Row Water Coil W/2 Row HW Pre-Heat Coil Connection Location

### 3 ROW WATER COIL With 2 Row HW Pre-Heat Coil

DIMENSIONS - In [mm]  
See Dwgs. on Page 2, Fig. 3

STANDARD CIRCULATION					
UNIT SIZE	COIL CONNEX	A	B	C	D
8	7/8 [23]	10 [254]	7-3/4 [197]	4-1/8 [105]	15-3/4 [401]
12					
16					
20	1-1/8 [29]				18-3/8 [467]
30					20-7/8 [531]
40	1-3/8 [35]				23-1/8 [588]

"LO GPM" CIRCULATION						"HIGH GPM" CIRCULATION					
UNIT SIZE	COIL CONNEX	A	B	C	D	UNIT SIZE	COIL CONNEX	A	B	C	D
8	5/8 [16]	10 [254]	7-3/4 [197]	4-1/8 [105]	15-3/4 [401]	8	7/8 [23]	10 [254]	7-3/4 [197]	4-1/8 [105]	15-3/4 [401]
12						12					
16	7/8 [23]					16	1-1/8 [29]				
20						20					
30	1-1/8 [29]					30	1-3/8 [35]				20-5/8 [524]
40						40					
										4-3/8 [112]	23-1/8 [588]

#### Notes:

- All dimensions are Inches [millimeters].  
All dimensions are  $\pm 1/2"$  [13mm]. Metric Values are soft conversions.
- All connections are ODM copper sweat unless otherwise noted.
- Field piping should be based on job requirements, not unit connection size.

## TBH/TBV

Belt Drive Blower Coil Unit 4 Row Water Coil W/3 Row HW Pre-Heat Coil Connection Location

### 4 ROW WATER COIL With 3 Row HW Pre-Heat Coil

DIMENSIONS - In [mm]  
See Dwgs. on Page 2, Fig. 3

STANDARD CIRCULATION					
UNIT SIZE	COIL CONNEX	A	B	C	D
8	7/8 [23]	12-1/8 [308]	9-7/8 [251]	4-1/8 [105]	15-3/4 [401]
12					
16					
20	1-1/8 [29]				15-7/8 [404]
30					20-7/8 [531]
40	1-3/8 [35]			4-3/8 [112]	23-1/8 [588]

"LO GPM" CIRCULATION						"HIGH GPM" CIRCULATION					
UNIT SIZE	COIL CONNEX	A	B	C	D	UNIT SIZE	COIL CONNEX	A	B	C	D
8	7/8 [23]	12-1/8 [308]	8-7/8 [226]	4-1/8 [105]	15-3/4 [401]	8	7/8 [23]	12-1/8 [308]	8-7/8 [226]	4-1/8 [105]	15-3/4 [401]
12						1-1/8 [29]	15-7/8 [404]				
16											
20	1-1/8 [29]	23-3/8 [594]	20	1-3/8 [35]	4-3/8 [112]	15-7/8 [404]					
30			1-1/8 [29]			30	1-5/8 [42]	20-5/8 [524]			
40					40		23-1/8 [588]				

Notes:

- All dimensions are Inches [millimeters].  
All dimensions are  $\pm 1/2"$  [13mm]. Metric Values are soft conversions.
- All connections are ODM copper sweat unless otherwise noted.
- Field piping should be based on job requirements, not unit connection size.



## TBH/TBV

Belt Drive Blower Coil Unit 3 Row Water Coil W/1 & 2 Row Steam Pre-Heat Coil Connection Location

### 3 ROW WATER COIL With 1 & 2 Row Steam Pre-Heat Coil

DIMENSIONS - In [mm]  
See Dwgs. Page 3, Fig. 6

STANDARD CIRCULATION					
UNIT SIZE	COIL CONNEX	A	B	C	D
8	7/8 [23]	12-1/8 [308]	9-7/8 [251]	4-1/8 [105]	15-3/4 [401]
12					
16					
20	1-1/8 [29]				18-3/8 [467]
30					20-7/8 [531]
40	1-3/8 [35]				23-3/8 [594]

"LO GPM" CIRCULATION						"HIGH GPM" CIRCULATION					
UNIT SIZE	COIL CONNEX	A	B	C	D	UNIT SIZE	COIL CONNEX	A	B	C	D
8	5/8 [16]	12-1/8 [308]	9-7/8 [251]	4-1/8 [105]	15-3/4 [401]	8	7/8 [23]	12-1/8 [308]	9-7/8 [251]	4-1/8 [105]	15-3/4 [401]
12						12					
16	7/8 [23]					16	1-1/8 [29]				
20						20					
30	1-1/8 [29]					30	1-3/8 [35]			4-3/8 [112]	20-5/8 [524]
40						40				23-1/8 [588]	

#### Notes:

- All dimensions are Inches [millimeters].  
All dimensions are  $\pm 1/2"$  [13mm]. Metric Values are soft conversions.
- All connections are ODM copper sweat unless otherwise noted.
- Field piping should be based on job requirements, not unit connection size.



## TBH/TBV

Belt Drive Blower Coil Unit 4 Row Water Coil W/1 & 2 Row Steam Pre-Heat Coil Connection Location

### 4 ROW WATER COIL With 1&2 Row Steam Pre-Heat Coil

DIMENSIONS - In [mm]  
See Dwgs. Page 3, Fig. 6

STANDARD CIRCULATION					
UNIT SIZE	COIL CONNEX	A	B	C	D
8	7/8 [23]	13-1/8 [333]	9-7/8 [251]	4-1/8 [105]	15-3/4 [401]
12					
16					
20	15-7/8 [404]				
30	1-1/8 [29]			20-7/8 [531]	
40	1-3/8 [35]			4-3/8 [112]	23-1/8 [588]

"LO GPM" CIRCULATION						"HIGH GPM" CIRCULATION					
UNIT SIZE	COIL CONNEX	A	B	C	D	UNIT SIZE	COIL CONNEX	A	B	C	D
8	7/8 [23]	13-1/8 [333]	9-7/8 [251]	4-1/8 [105]	15-3/4 [401]	8	7/8 [23]	13-1/8 [333]	9-7/8 [251]	4-1/8 [105]	15-3/4 [401]
12						1-1/8 [29]	15-7/8 [404]				
16											
20	20-7/8 [531]										
30	1-1/8 [29]			23-1/8 [588]	4-3/8 [112]	30	1-3/8 [35]			20-5/8 [524]	
40	1-1/8 [29]			23-1/8 [588]		4-3/8 [112]	40			1-5/8 [42]	23-1/8 [588]

#### Notes:

- All dimensions are Inches [millimeters].  
All dimensions are  $\pm 1/2"$  [13mm]. Metric Values are soft conversions.
- All connections are ODM copper sweat unless otherwise noted.
- Field piping should be based on job requirements, not unit connection size.



## TBH – TBV Coil Circuit Cross Reference

TBH & TBV CIRCUITING CROSS REFERENCE							
COIL ROWS	GPM	NUMBER OF CIRCUITS					
		SIZE 08	SIZE 12	SIZE 16	SIZE 20	SIZE 30	SIZE 40
1 ROW	LOW	1	1	1	1	2	3
	STANDARD	2	2	2	2	3	5
	HIGH	4	4	4	5	8	9
2 ROW	LOW	2	2	3	4	4	6
	STANDARD	3	3	6	7	8	12
	HIGH	6	6	8	9	16	18
3 ROW	LOW	2	2	3	4	4	6
	STANDARD	3	4	6	7	8	11
	HIGH	6	6	9	14	12	18
4 ROW	LOW	3	3	4	4	6	9
	STANDARD	4	6	8	9	11	18
	HIGH	8	12	12	14	16	24
6 ROW	LOW	3	4	4	6	8	9
	STANDARD	6	6	9	10	16	18
	HIGH	9	9	12	14	24	27