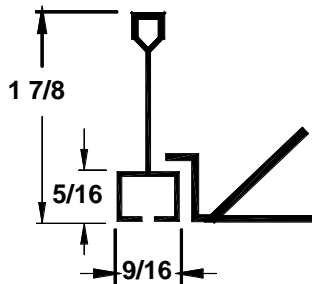
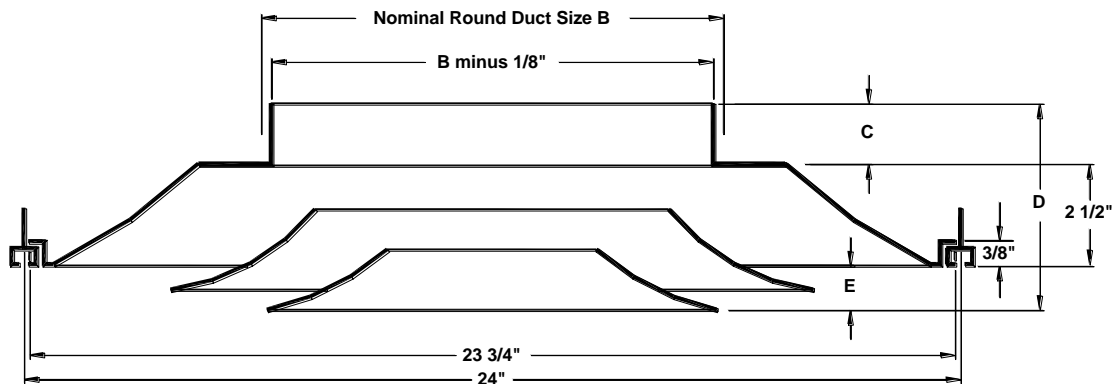
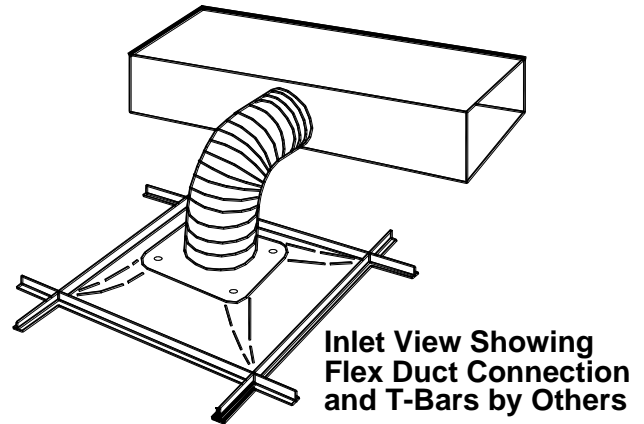


Square Ceiling Diffusers Aluminum • High Performance

Model: TMS-AA-NT • Narrow Tee • Round Neck

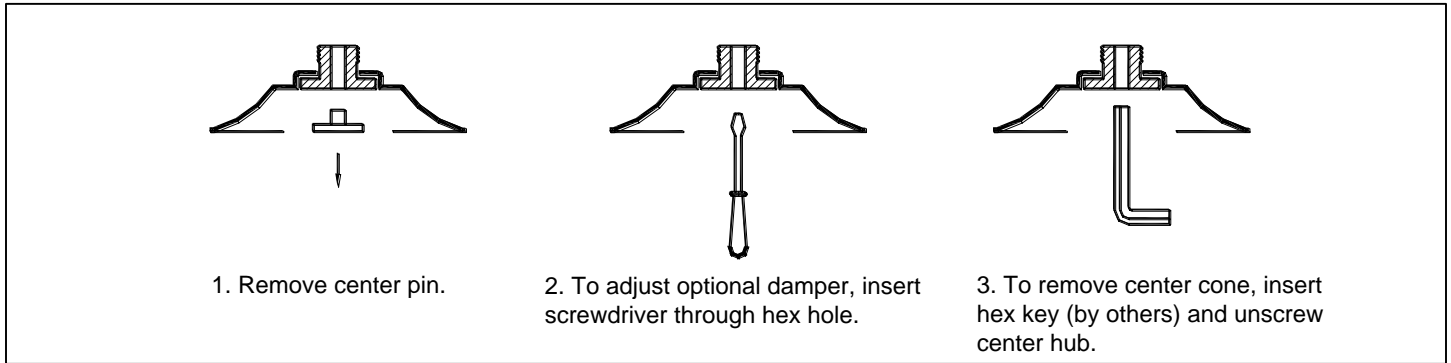


Narrow Tee Detail

Ceiling Module A	Nominal Round Duct Size B	C	D	E
24 x 24	6, 8	1 1/4	5	1 1/4
24 x 24	10, 12, 14, 15	1 3/8	5 1/8	1 1/4

Dimensions are in inches.

Adjusting Optional Damper • Removing Center Cone



Accessories (optional) Check if provided.

Accessories	Nominal Round Duct Sizes					
	6	8	10	12	14	15
<input type="checkbox"/> AG-100	•	•	•	•	•	N/A
<input type="checkbox"/> D-100	•	•	•	•	•	N/A
<input type="checkbox"/> D-75	•	•	•	•	N/A	N/A
<input type="checkbox"/> AG-75	•	•	•	•	•	•
<input type="checkbox"/> AG-85	•	•	•	•	•	•
<input type="checkbox"/> AG-65	•	•	•	•	•	•
<input type="checkbox"/> EG	•	•	•	•	•	•
<input type="checkbox"/> EQT	•	•	•	•	•	•

• Available Sizes

Other Accessories (Optional) Model SB Sectorizing Baffles

Standard Finish: #26 White

General Description

- TMS-AA-NT is designed to integrate into Narrow Tee regressed ceiling systems.
- Model TMS-AA-NT delivers supply air in a true 360° pattern. Designed to protect ceiling from streaking and smudging.
- Excellent for variable air volume systems. The uniform, nearly horizontal jet from the outer cone maintains effective room air distribution even when the air volume varies over a considerable range.
- The TMS-AA-NT consists of 3 concentric cones in all sizes. This uniformity of design enhances appearance in installations where more than one size is involved.
- Screwdriver adjustment of the optional damper is achieved without removing the inner cone.
- Quick removal of the inner cone with a hex key speeds installation.
- All cones are die-stamped, one-piece construction for smooth, clean surfaces with no corner joints.
- Material is heavy gauge aluminum with steel bar webbing.

This submittal is meant to demonstrate general dimensions of this product. The drawings are not meant to detail every aspect of the product. Drawings are not to scale. Titus reserves the right to make changes without written notice.