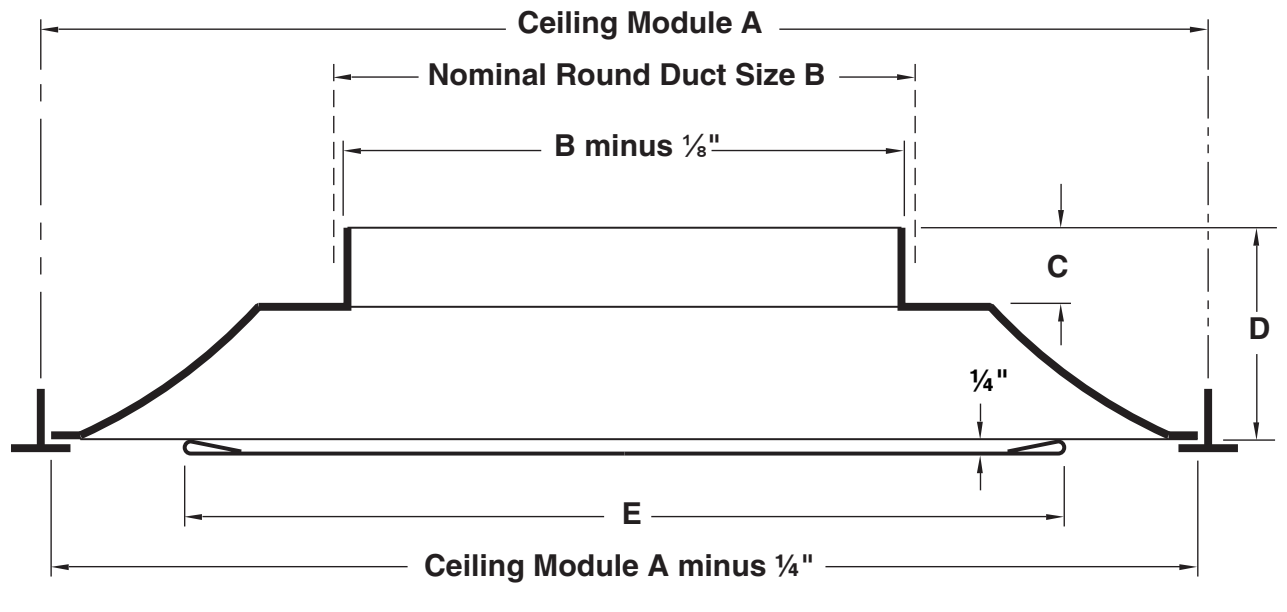
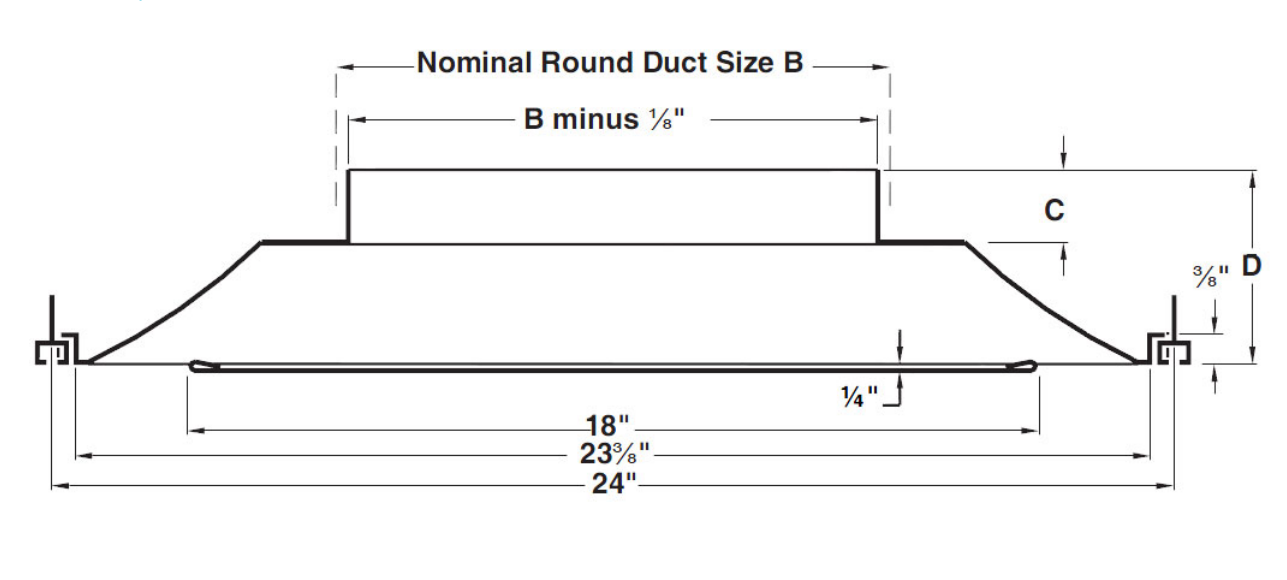


TJD DIMENSIONS

Frame Type 3
(Lay-In) Full Face



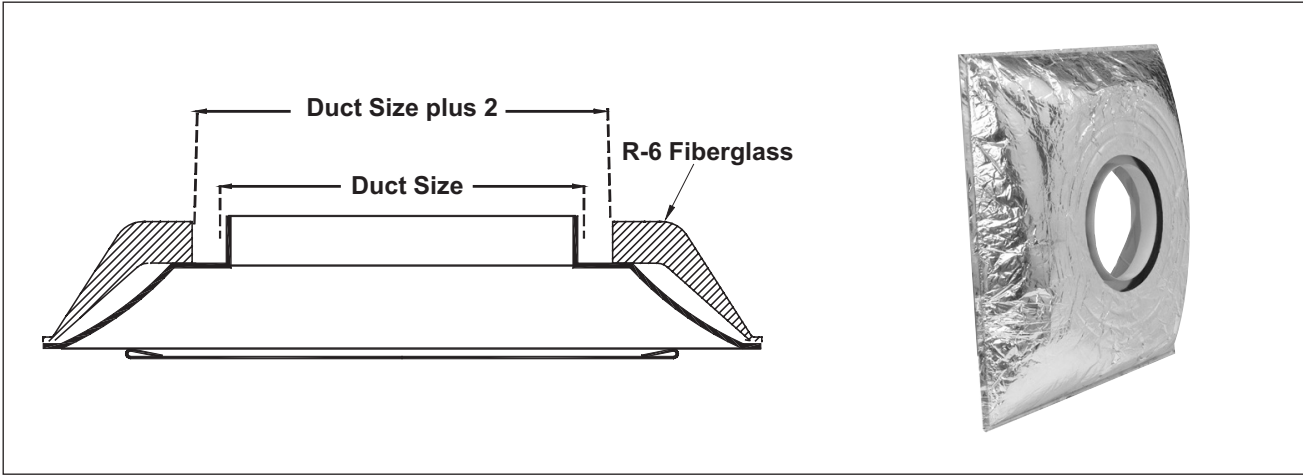
Frame Type NT
(Narrow Tee Lay-In) Full Face



Ceiling Module A	Nominal Round Duct Size B	C	D
24 x 24	6, 8	1/4	3/4

All dimensions are in inches

OPTIONAL MOLDED INSULATION BLANKET



Insulation is R-6 where blanket has the most depth. One inch clearance on each side of neck is left for insulated duct connection. 24 x 24" full face models only.

REMOVING AND REPLACING FACE PANEL - ADJUSTING OPTIONAL DAMPER

Installing Face Panel

1. Insert the hook brackets into the slots in the backpan
2. Rotate the face panel clockwise until...
3. The hooks positively engage in the secondary slots in the backpan

Removing Face Panel

1. Lift the faceplate towards the backpan to disengage the hook brackets from the backpan slots
2. Rotate the faceplate counterclockwise
3. Lower the faceplate away from the backpan

Adjusting Optional Damper

1. Remove face panel as above
2. Remove button plug in nozzle core
3. Use flat blade screwdriver to turn operator shaft at center of damper
4. Replace face panel