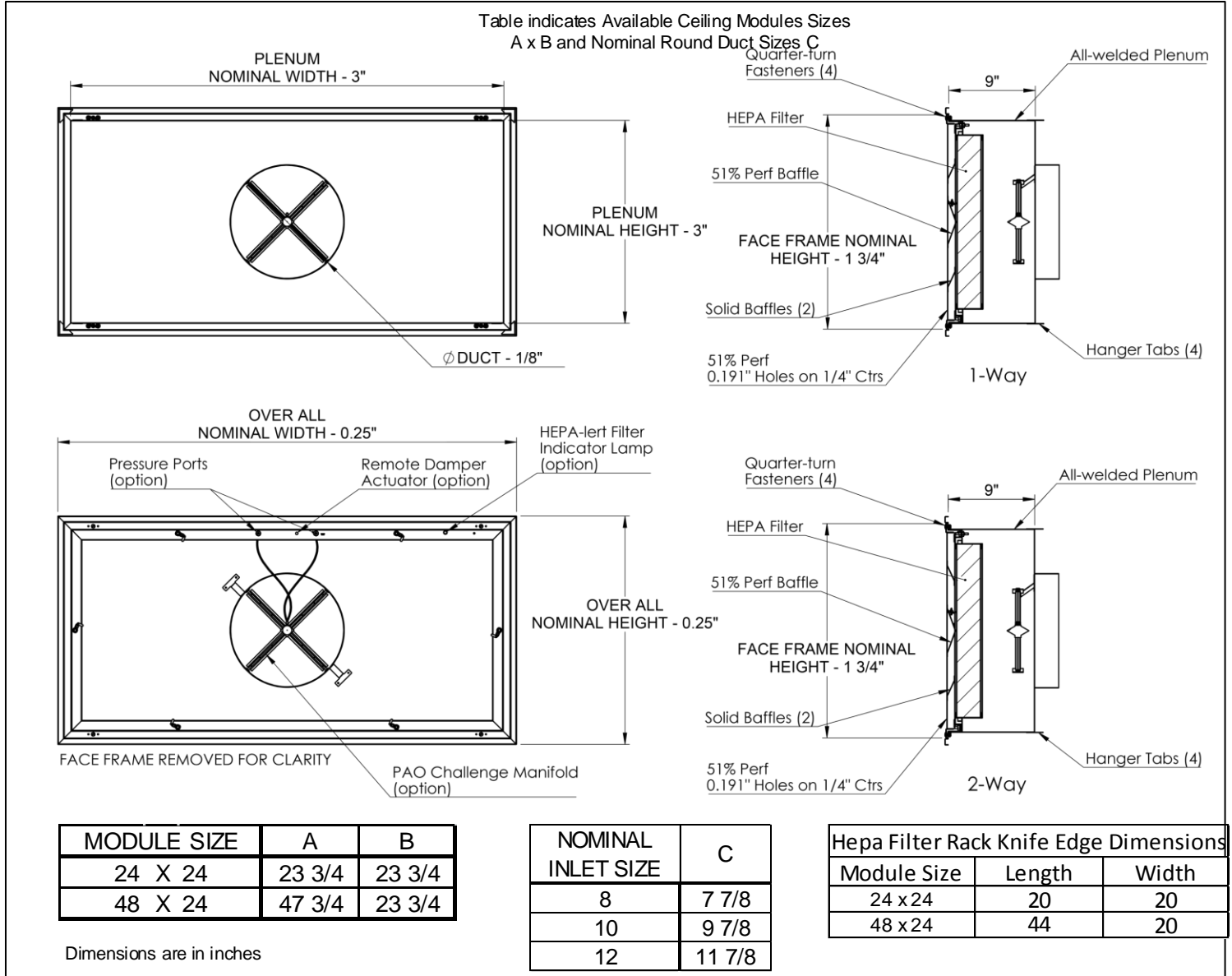


Critical Environment Diffusion Products High Volume Radial Air Diffusion • Low Velocity • HEPA Filtered

Model: TriTecR-AL • Aluminum Backpan • 304 Stainless Steel Face
TriTecR-SS • 304 Stainless Steel



General Description

- Model TriTecR is a high capacity filtered ceiling diffuser
- Uniform radial throw pattern
- Airtight plenum/filter housing construction
- Integral filter rack for use with high efficiency gel seal type filters
- Static Pressure Test Port
- Louvered face is quickly removed by loosening ¼ turn fasteners
- Designed for surfaced mounted or conventional T-bar ceiling system.
- Compatible with 1" or 1½" T-bar ceiling grids.
- Retainer cables prevent accidental dropping of louvered face after removal
- Compatible filter models are: HEPA-R, ULPA-R, MERV14-R, & MERV15-R

Basic Unit Configuration

Check if provided.

Construction Material

- Aluminum plenum; 304 SS Face
- 304 Stainless Steel Construction

Throw Pattern

- 1 Way Pattern
- 2 Way Pattern

Finish

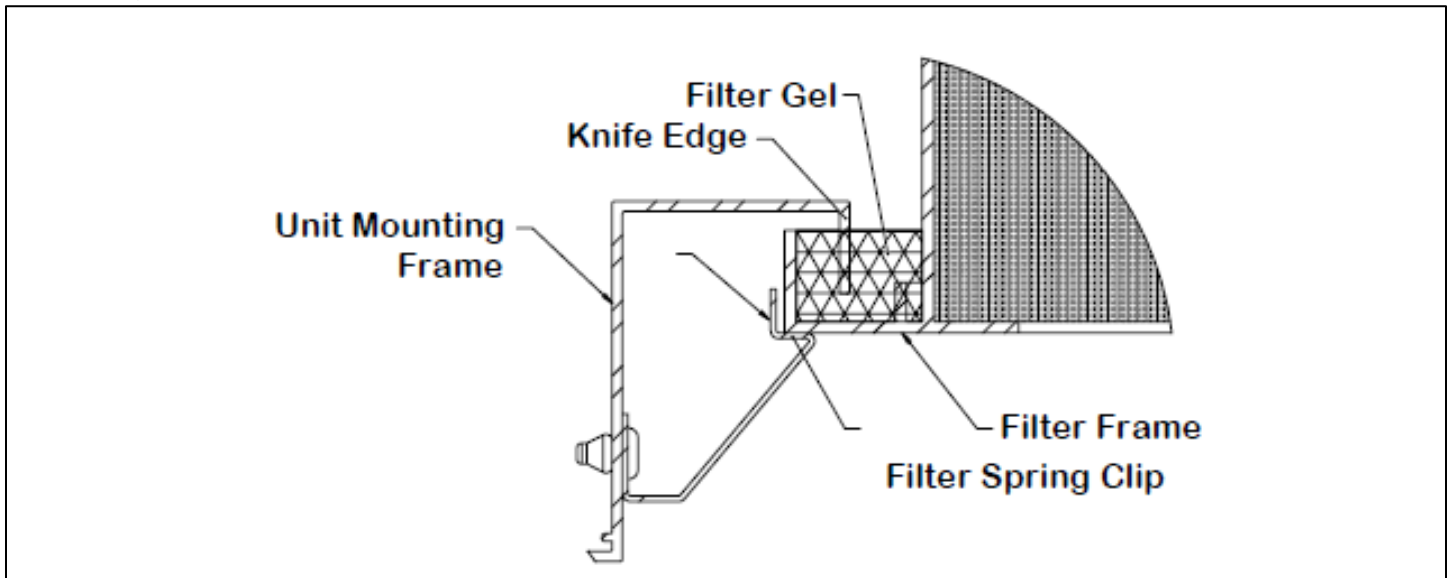
- #04 Mill Finish
- #26 White
- #25 Off-White
- #84 Black

Accessories (Optional)

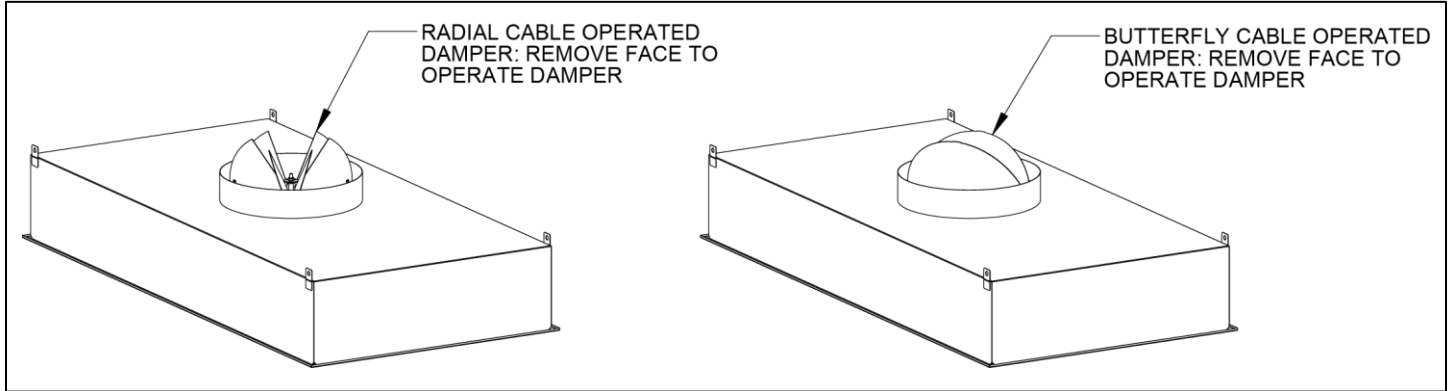
Check if provided.

- | | | |
|---|--|---|
| <input type="checkbox"/> Radial Damper – Cable Operated | <input type="checkbox"/> Factory Certified Leak Tested - In accordance with IEST-RP-CC034.3 | <input type="checkbox"/> HEPALert LED Filter Indicator – 24V |
| <input type="checkbox"/> Butterfly Damper – Cable Operated | <input type="checkbox"/> Fully Welded Plenum & Inlet | <input type="checkbox"/> HEPALert LED Filter Indicator – Battery Operated |
| <input type="checkbox"/> Aerosol Injection Port & Distribution Manifold | <input type="checkbox"/> ½" Foil Faced Insulated Plenum (External) | |

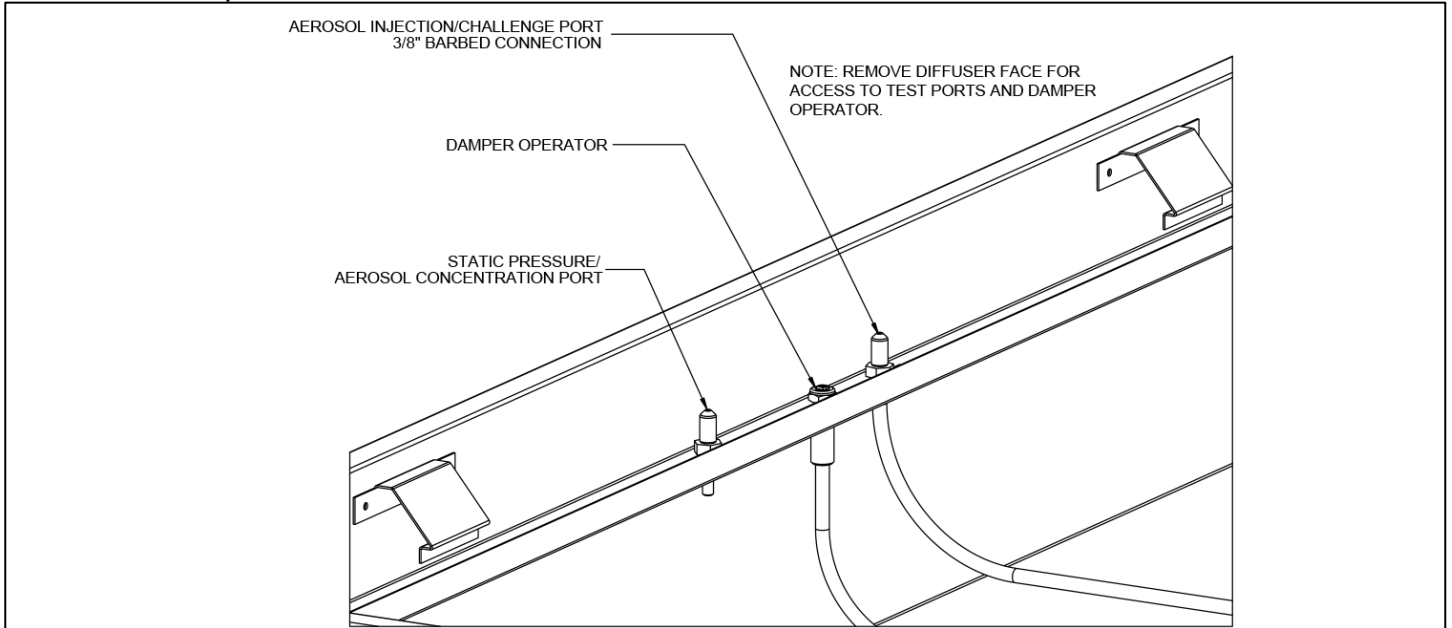
Knife Edge/Gel Seal Detail:



Cable Operated Damper Detail:



Port & Cable Operator Details:



Aerosol Manifold Details:

