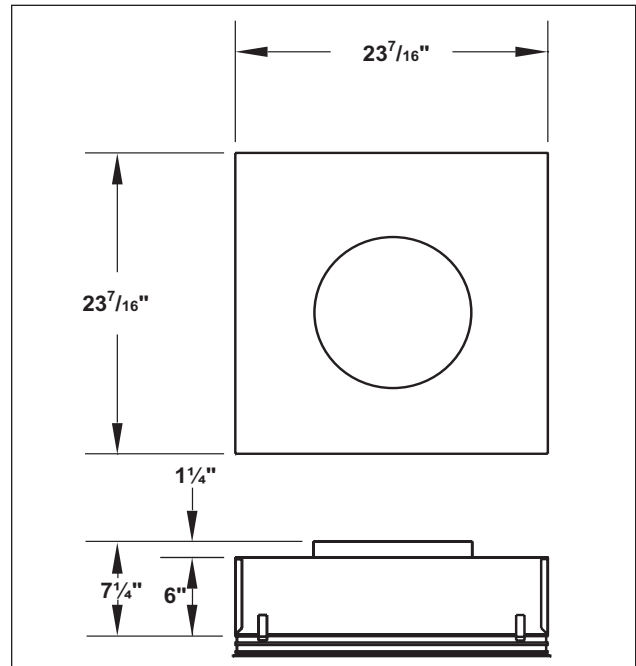
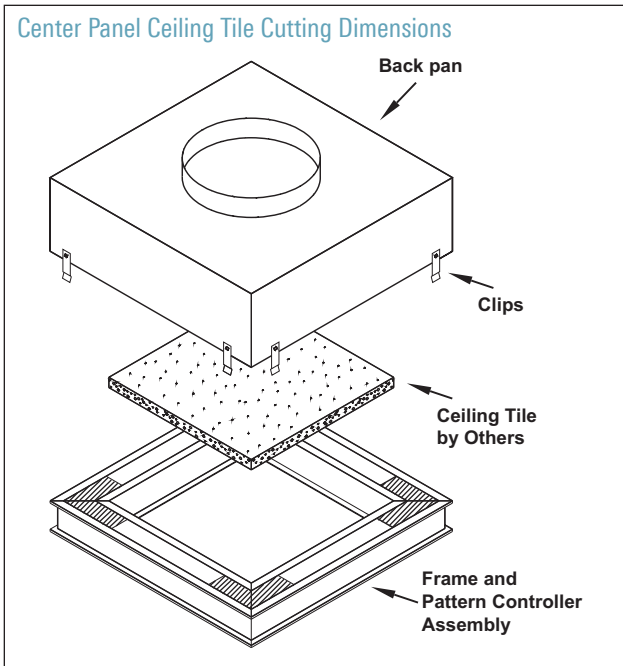
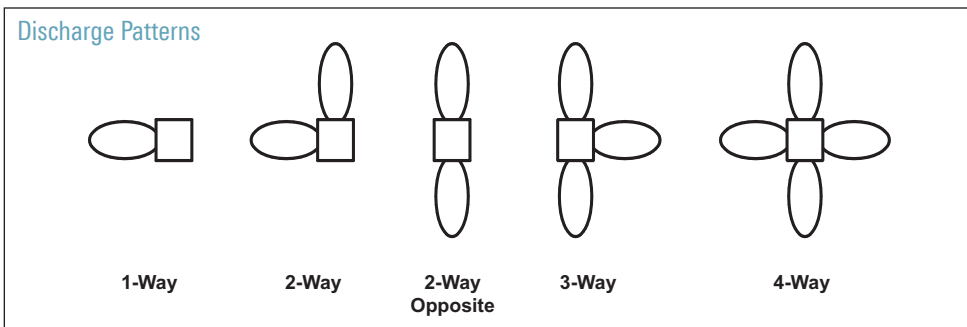


FIELD INSTALLATION OF CENTER TILE FOR MODELS

MF-10, MFI-10, MFB-10, AND MFBI-10



| Ceiling Tile Cutting Dimensions | |
|---------------------------------|---|
| No. of Slots | Slot Width |
| | 1 |
| | 17 ¹⁵ / ₁₆ " x 17 ¹⁵ / ₁₆ " |



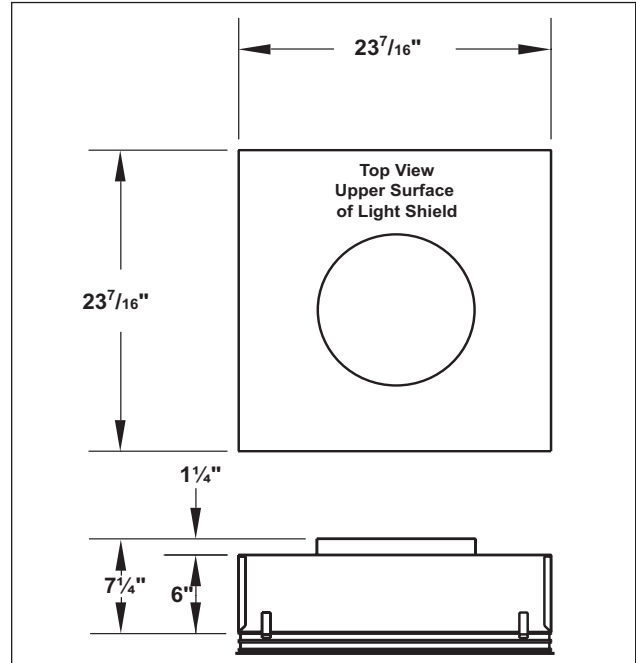
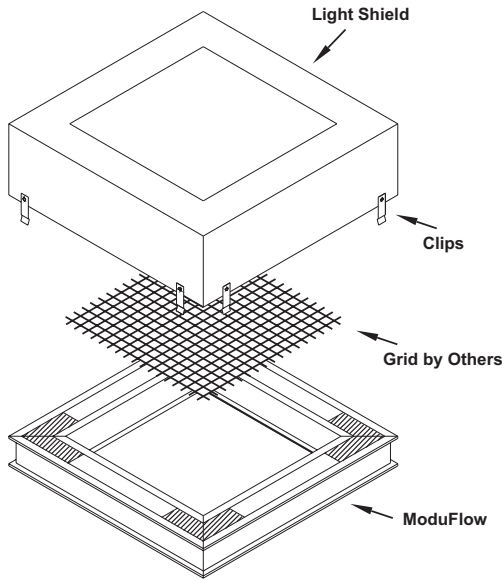
Note: To create adjustable discharge patterns, optional blank off strips (FBBO) must be used

FIELD INSTALLATION OF CENTER TILE FOR MODELS

Redefine your comfort zone.™ | www.titus-hvac.com

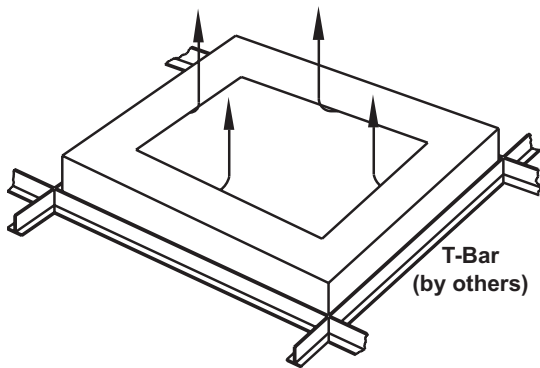
MODELS MFR-10 AND MFRB

Center Panel Ceiling Grid Cutting Dimensions



| Grid Cutting Dimensions | |
|-------------------------|---|
| No. of Slots | Slot Width |
| | 1 |
| | 17 ¹⁵ / ₁₆ " x 17 ¹⁵ / ₁₆ " |

Return Airflow



C

MODUFLOW