

Job Name: _____
 Tag Name: _____ Quantity: _____
 Unit Size: _____

FFDERAJ

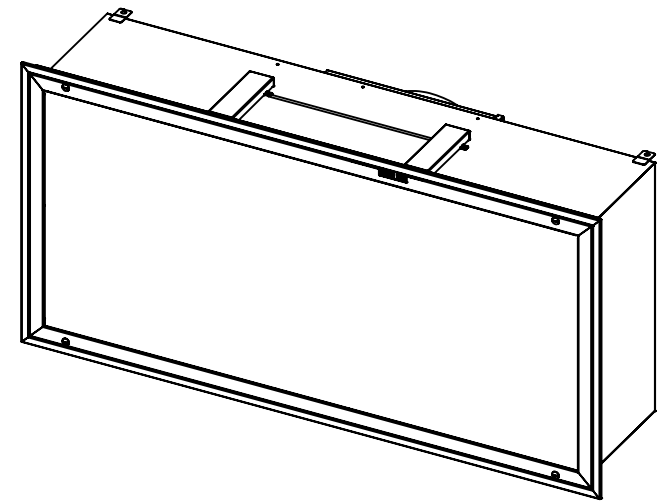
FAN FILTER UNIT
 MOTOR & ELECTRONICS
 ROOMSIDE ACCESSIBLE

OPTIONS

- 304 Stainless Steel **(Standard)**
 - #4 Satin Finish **(Standard)**
- 316 Stainless Steel
 - #4 Satin Finish
- Aluminum
- White Antimicrobial Epoxy Powdercoat Finish
- Other Color _____
- Duct Collar Kit
 - Round - Size: _____
 - Oval - Size: _____
 - Rectangle - Size: _____
 - Flanged
- Pre-Filter Kit
- HEPA Filter - 99.99% on 0.3 µm **(Standard)**
- ULPA Filter - 99.9995% on 0.12 µm
- HEPA-Iert Filter Monitor
 - Battery
 - 24V Supply (By Others)
- Foil Backed Insulation
 - 1.5"
 - 2.25"
- (1 or 2) Pressure Ports
- PAO Challenge Manifold
(Requires 2 Pressure Port)

ELECTRONIC OPTIONS

- 120VAC **(Standard)**
- 208VAC
- 240VAC
- 277VAC
- 0 - 10VDC Input
- Adjustable Face Control **(Standard)**
- Constant Speed **(Standard)**
- Airflow Sensor
 - Constant Volume
- Continuous Filter Monitoring
- Basic Wall Control (One Per Unit)
- Touchscreen/Network
- Local Area Network
Number Of Units _____



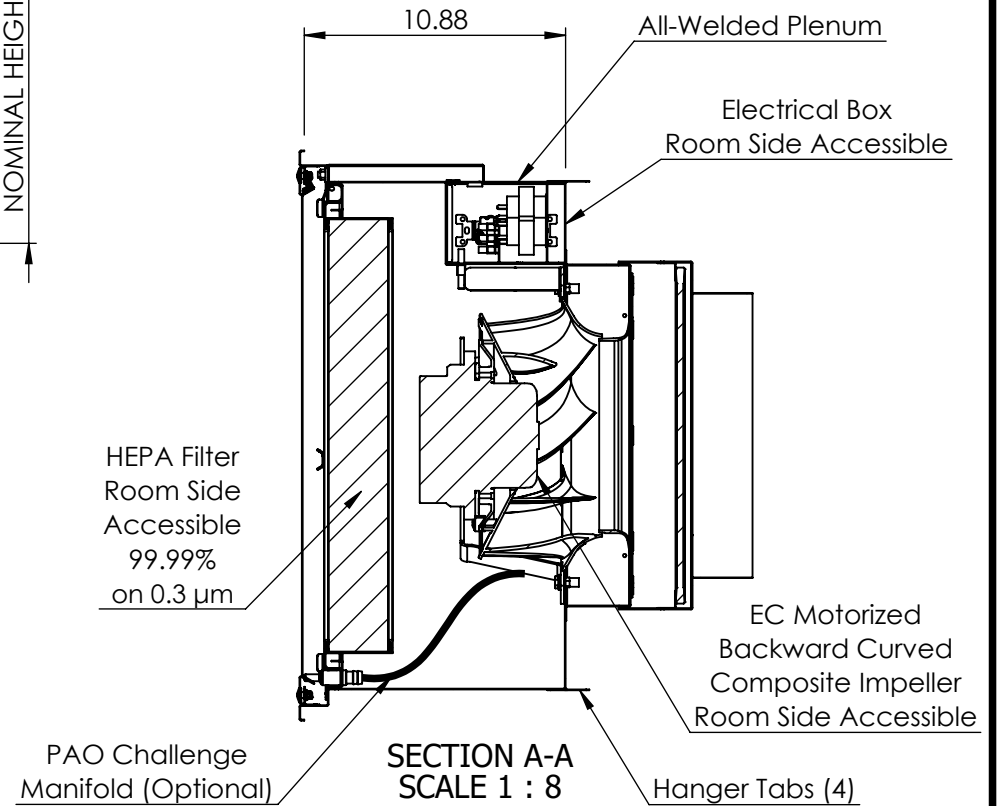
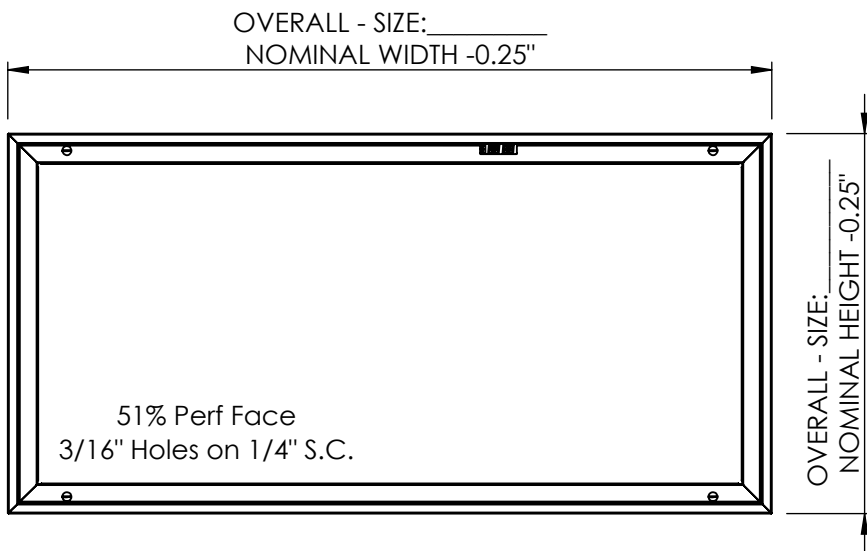
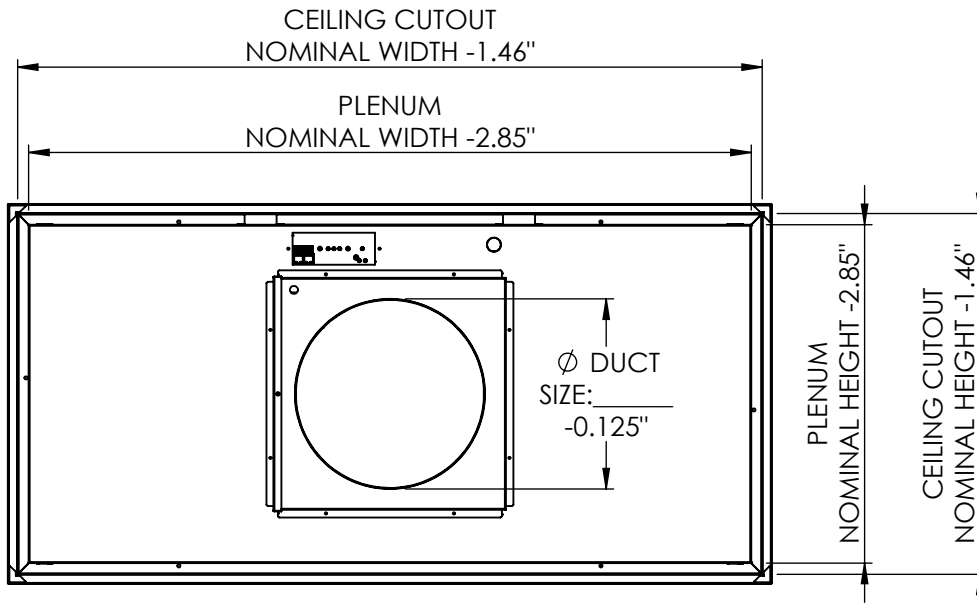
DRAWN SLG	MATERIAL 304SS	JOB NAME	TAG	QTY	REV # A
CHKD	FINISH #4 SATIN	ENGINEER	DRAWING NAME SSLFHFD-FFU-MEA		SHT 1/4
APRVD	SIZE	CONTRACTOR			SCL 1:12
					DO NOT SCALE

FFDERAJ

FAN FILTER UNIT

MOTOR & ELECTRONICS

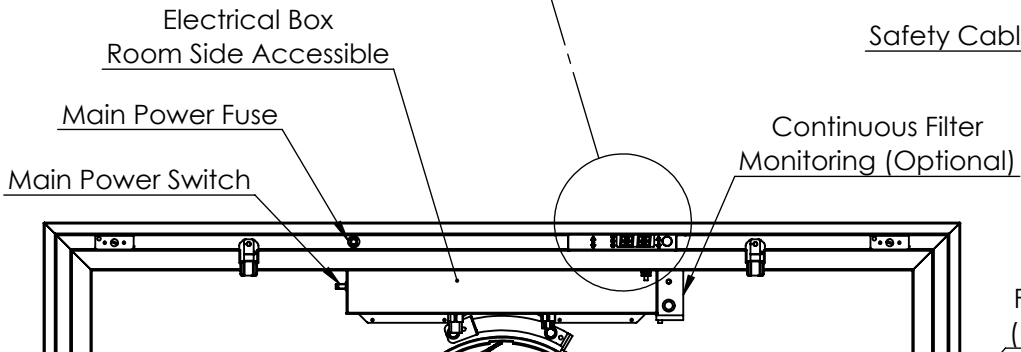
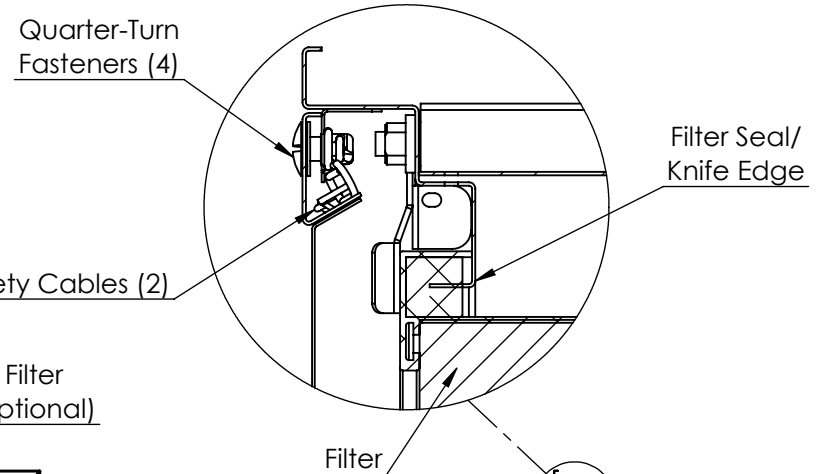
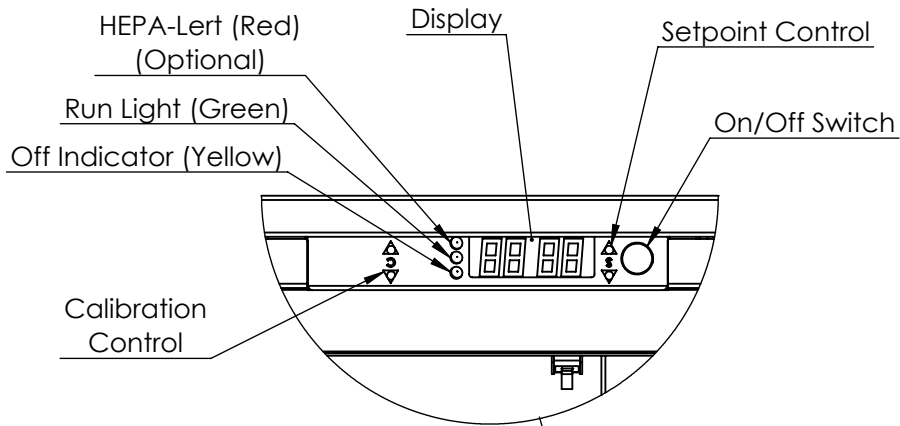
ROOMSIDE ACCESSIBLE



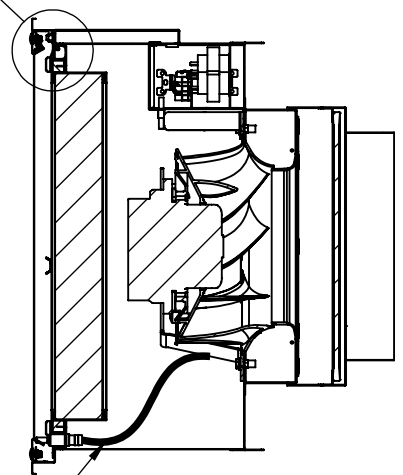
DRAWN SLG	MATERIAL 304SS	JOB NAME	TAG	QTY	REV # A
CHKD	FINISH #4 SATIN	ENGINEER	DRAWING NAME SSLFHD-FFU-MEA		SHT 2/4
APRVD	SIZE	CONTRACTOR			SCL 1:12
					DO NOT SCALE

FFDERAJ

FAN FILTER UNIT
MOTOR & ELECTRONICS
ROOMSIDE ACCESSIBLE



Filter Retainer Clips (No Tools Required)



PAO Challenge Manifold (Optional)

FACE FRAME AND HEPA FILTER REMOVED FOR CLARITY

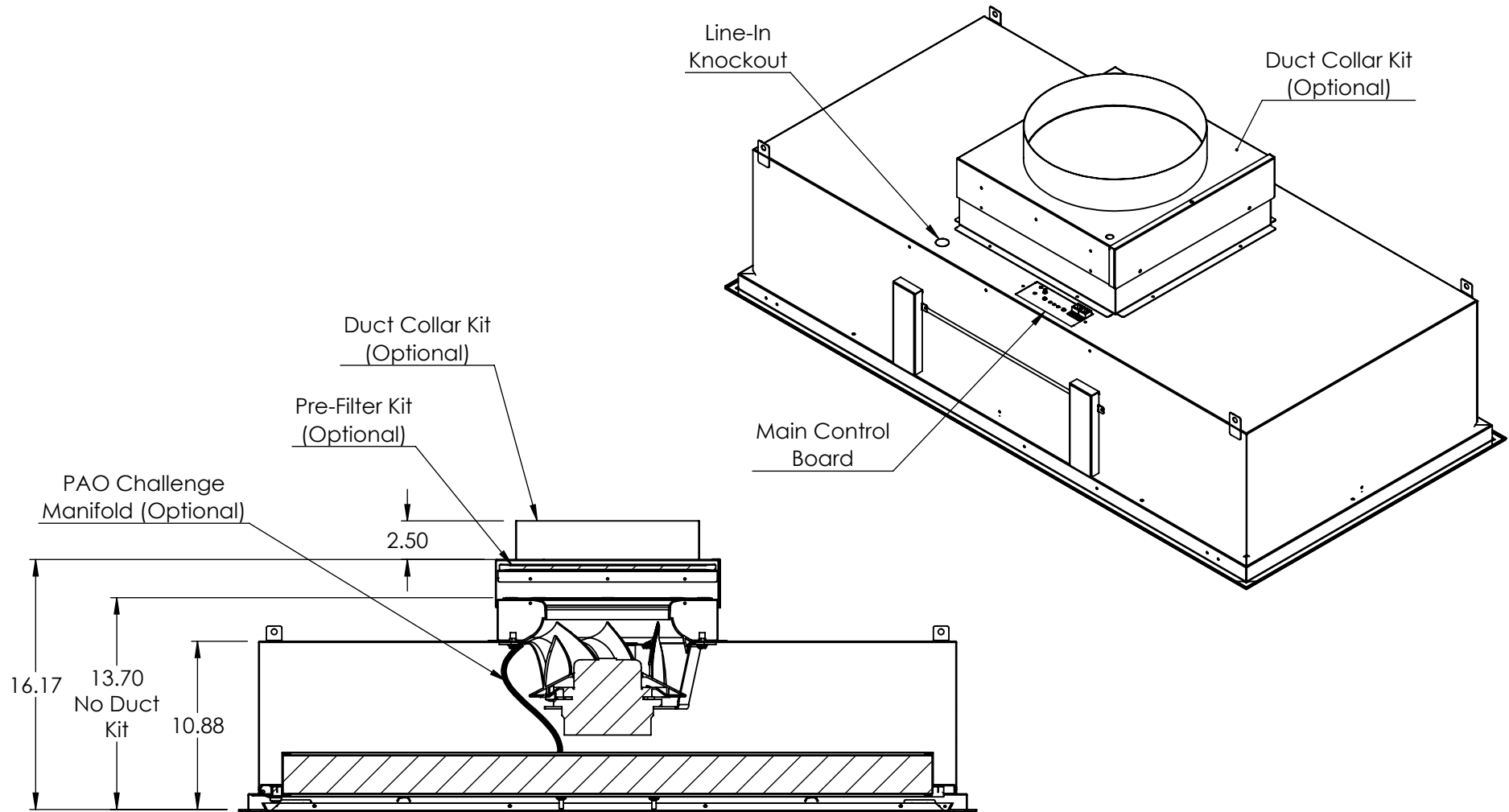
1/2" Pressure Ports (1 or 2) (Optional)



DRAWN SLG	MATERIAL 304SS	JOB NAME	TAG	QTY	REV # A
CHKD	FINISH #4 SATIN	ENGINEER	DRAWING NAME SSLFHD-FFU-MEA		SHT 3/4
APRVD	SIZE	CONTRACTOR			SCL 1:10
					DO NOT SCALE

FFDERAJ

FAN FILTER UNIT
MOTOR & ELECTRONICS
ROOMSIDE ACCESSIBLE



DRAWN SLG	MATERIAL 304SS	JOB NAME	TAG	QTY	REV # A
CHKD	FINISH #4 SATIN	ENGINEER	DRAWING NAME SSLFHD-FFU-MEA		SHT 4/4
APRVD	SIZE	CONTRACTOR			SCL 1:10
					DO NOT SCALE

FFDERAJ

FAN FILTER UNIT
MOTOR & ELECTRONICS
ROOMSIDE ACCESSIBLE

PERFORMANCE DATA

48" x 24" - STANDARD FLOW FILTER, AT 0 STATIC, 120VAC			
Setpoint	CFM	CFM/ Sq Ft	Watts
100%	1074	222	257
90%	917	189	185
80%	760	157	134
70%	608	126	86
60%	450	93	55
50%	312	64	33
40%	200	41	20
30%	114	24	13
20%	51	11	9

48" x 24" - STANDARD FLOW FILTER, AT 0 STATIC, 208-277VAC			
Setpoint	CFM	CFM/ Sq Ft	Watts
100%	1320	273	423
90%	1156	239	310
80%	975	202	216
70%	790	163	143
60%	617	128	90
50%	430	89	54
40%	275	57	29
30%	162	33	17
20%	74	15	10

24" x 24" - STANDARD FLOW FILTER, AT 0 STATIC, 120VAC			
Setpoint	CFM	CFM/ Sq Ft	Watts
100%	510	193	192
90%	416	158	149
80%	332	126	102
70%	255	97	70
60%	190	72	49
50%	133	50	32
40%	87	33	21
30%	52	20	15
20%	23	9	11

24" x 24" - STANDARD FLOW FILTER, AT 0 STATIC, 208-277VAC			
Setpoint	CFM	CFM/ Sq Ft	Watts
100%	655	248	316
90%	540	204	220
80%	433	164	152
70%	331	125	102
60%	245	93	64
50%	174	66	40
40%	114	43	25
30%	66	25	15
20%	34	13	10



DRAWN SLG	MATERIAL 304SS	JOB NAME	TAG	QTY	REV # A
CHKD	FINISH #4 SATIN	ENGINEER	DRAWING NAME SSLFHFDD-FFU-MEA		SHT 4/4
APRVD	SIZE	CONTRACTOR			SCL 1:10
					DO NOT SCALE