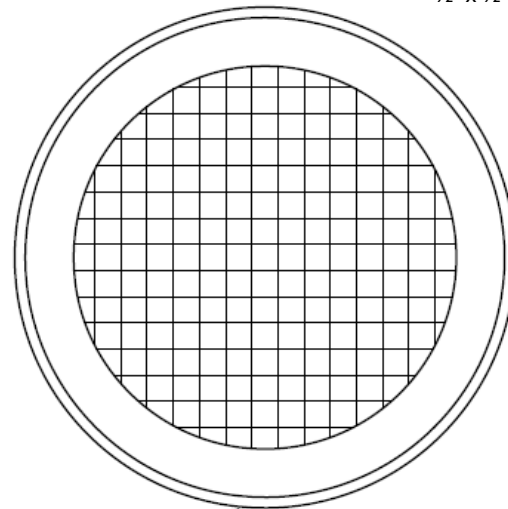
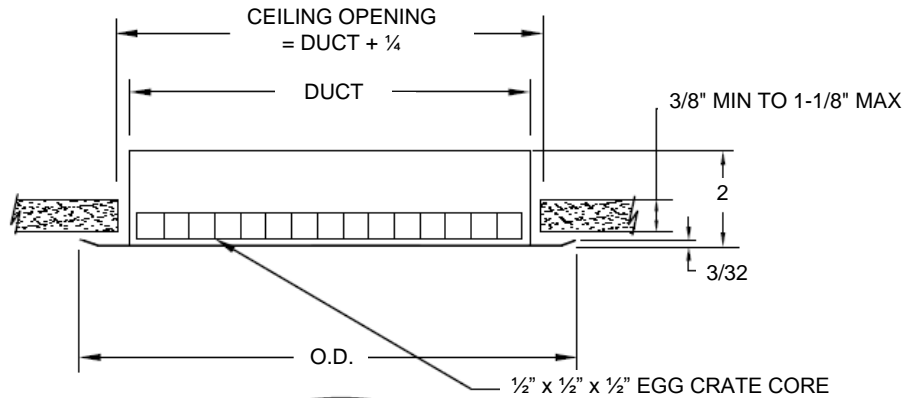


## Egg Crate Return Grille • Round

R-50R • Aluminum Grid • 1/2 x 1/2 x 1/2 Core • Steel Border

Border Type 1 (Surface Mount)

Nominal Duct Dia	O.D.
4	5-13/16
6	7-13/16
8	9-13/16
10	11-13/16
12	13-13/16



### Available Sizes (D")

4, 6, 8, 10 & 12" diameters.

Odd and fractional sizes are not available.

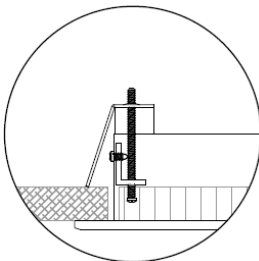
Note: Wall or duct opening should be duct size ±1

All dimensions are in inches.

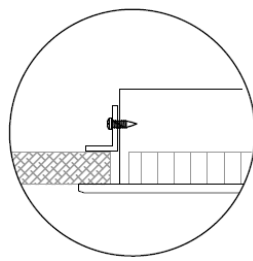
1 1/8" BORDER

Concealed Mounting (Standard)

Room Access

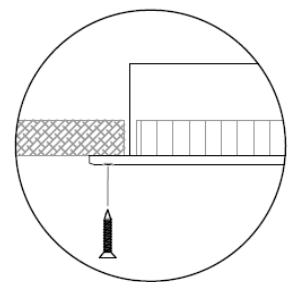


Rear Access



Screw Holes (Optional)

Room Access



Standard Finish: #26 White

Optional Finish: #01 Aluminum

Optional Finish: #84 Black

Other Finish: \_\_\_\_\_

### General Description

- Material: Steel border with Aluminum grid
- Beaded inlet provides secure flex duct connection
- Two types of concealed fastening are standard
- All dimensions are ± 1/16"

This submittal is meant to demonstrate general dimensions of this product. The drawings are not meant to detail every aspect of the product. Drawings are not to scale. Titus reserves the right to make changes without written notice.