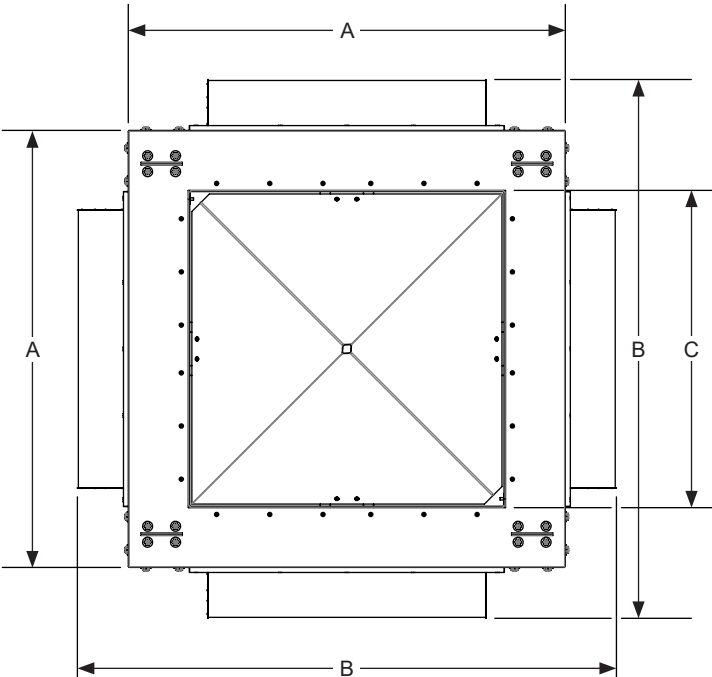


Ventilation Module • High Capacity Supply

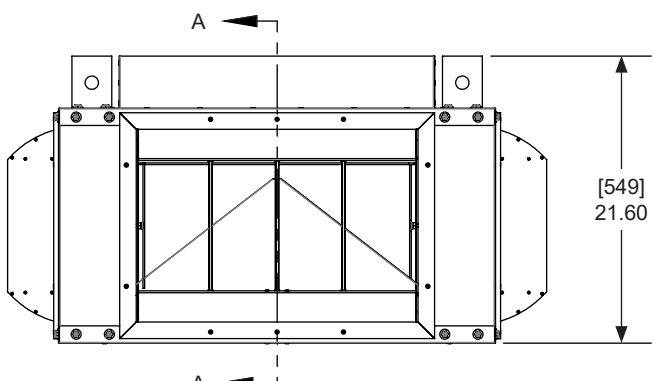
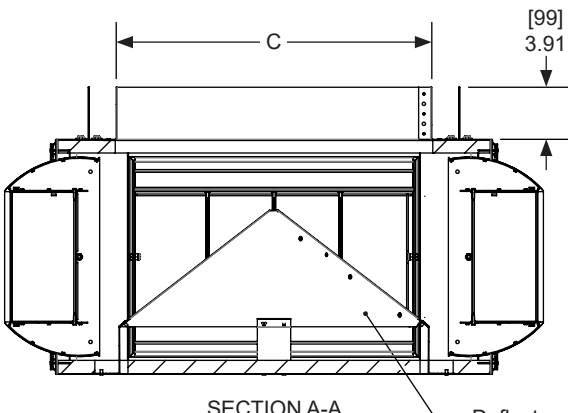
Multiple Drum Louver Outlets

Model: TVM-4 • 4 Outlet • 4,000 to 7,500 CFM

TVM-4 Outlet



Capacity (CFM)	A in [mm]	B in [mm]	C in [mm]	Outlet Size (In)	Weight (lbs)
<input type="checkbox"/> 7,500	36 7/8 [937]	44 9/16 [1132]	27 7/8 [708]	21 X 15	76
<input type="checkbox"/> 5,000	32 7/8 [835]	40 9/16 [1030]	23 7/8 [606]	21 X 15	75
<input type="checkbox"/> 4,000	32 7/8 [835]	40 9/16 [1030]	23 7/8 [606]	21 X 15	75

Optional Internal Insulation

General Description

- Plenum is constructed of steel
- Drum louver outlets are extruded aluminum
- Internal deflector provides balanced output

Standard Finishes: White Black Off-White

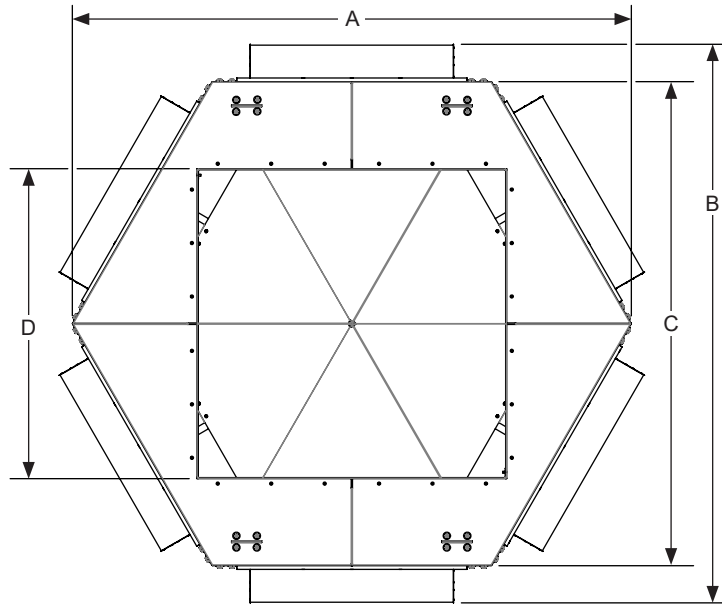
- Drum louvers are vertically and horizontally adjustable
- Integral hanger brackets
- Non-standard colors are available

Ventilation Module • High Capacity Supply

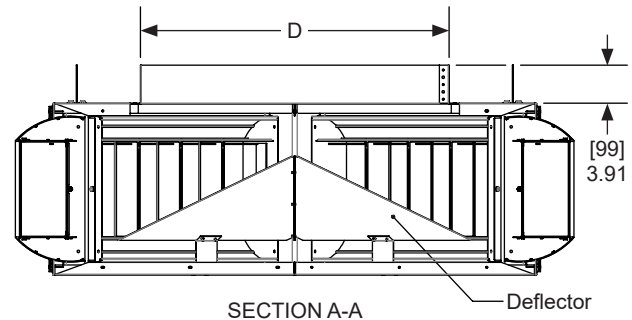
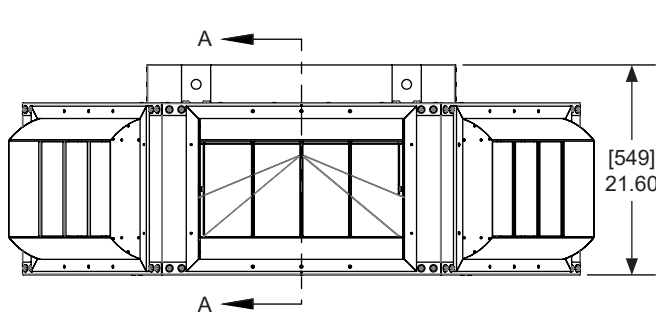
Multiple Drum Louver Outlets

Model: TVM-6 • 6 Outlet • 10,000 to 25,500 CFM

TVM-6 Outlet



	Capacity (CFM)	A in [mm]	B in [mm]	C in [mm]	D in [mm]	Outlet Size (In)	Weight (lbs)
<input type="checkbox"/>	25,000	95 1/4 [2419]	90 [2286]	83 [2108]	43 7/8 [1114]	40 x 15	263
<input type="checkbox"/>	22,500	95 1/4 [2419]	90 [2286]	83 [2108]	41 7/8 [1064]	40 x 15	263
<input type="checkbox"/>	20,000	87 1/2 [2223]	84 [2134]	76 [1930]	39 7/8 [1013]	36 x 15	217
<input type="checkbox"/>	17,500	75 1/2 [1918]	74 [1880]	66 [1676]	39 7/8 [1013]	30 x 15	179
<input type="checkbox"/>	15,000	75 1/2 [1918]	74 [1880]	66 [1676]	37 7/8 [962]	30 x 15	179
<input type="checkbox"/>	12,500	63 1/2 [1613]	63 [1600]	55 [1397]	35 7/8 [911]	24 x 15	132
<input type="checkbox"/>	10,000	57 1/2 [1461]	58 [1473]	50 [1270]	31 7/8 [810]	21 x 15	127



Optional Internal Insulation

General Description

- Plenum is constructed of steel
- Drum louver outlets are extruded aluminum
- Internal deflector provides balanced output

Standard Finishes: White Black Off-White

- Drum louvers are vertically and horizontally adjustable
- Integral hanger brackets
- Non-standard colors are available

This Submittal is meant to demonstrate general dimensions and information of this product. The drawings are not meant to detail every aspect of the product. Drawings are not to scale. Titus reserves the right to make changes without written notice.

All rights reserved. No part of this work may be reproduced or transmitted in any form or by any means, electronic or mechanical, including photocopying and recording, or by any information storage retrieval system without permission in writing from Air Distribution Technologies.