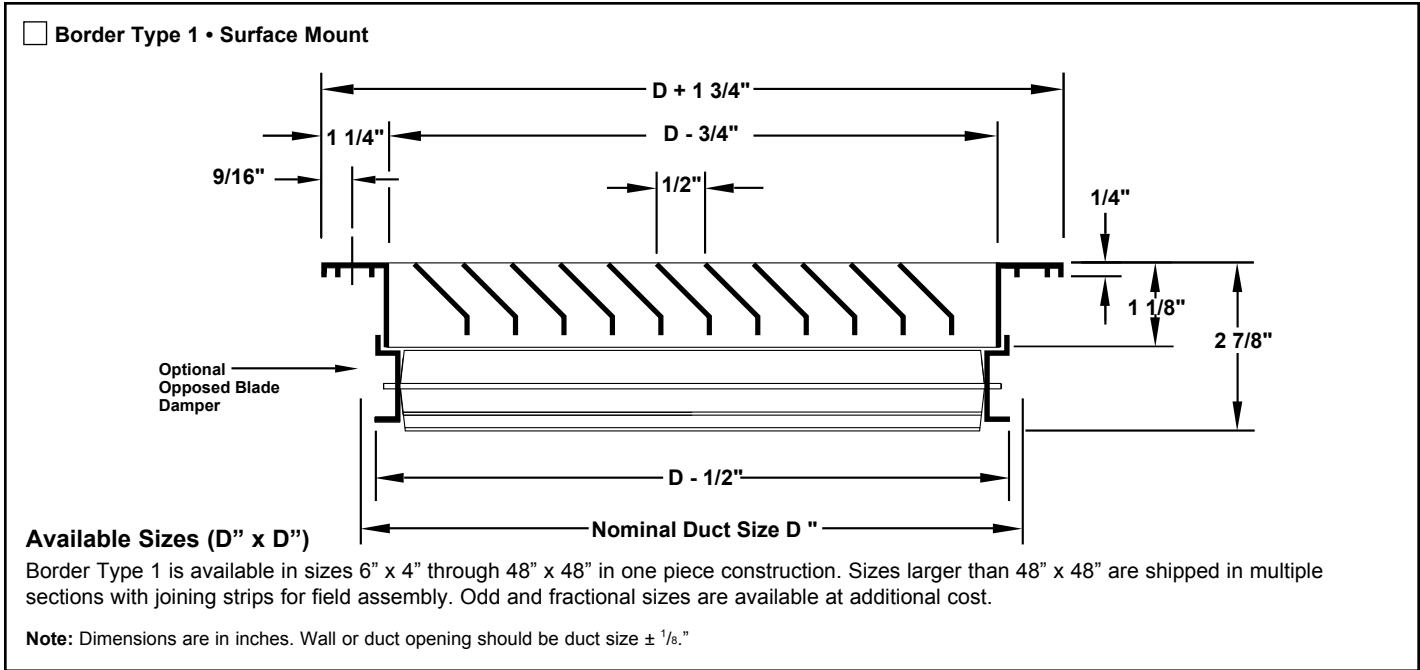
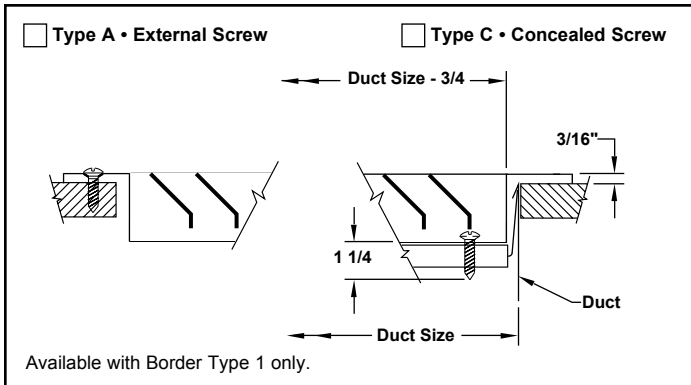


Louvered Return Grilles and Registers • Aero-Blade Series • Aluminum

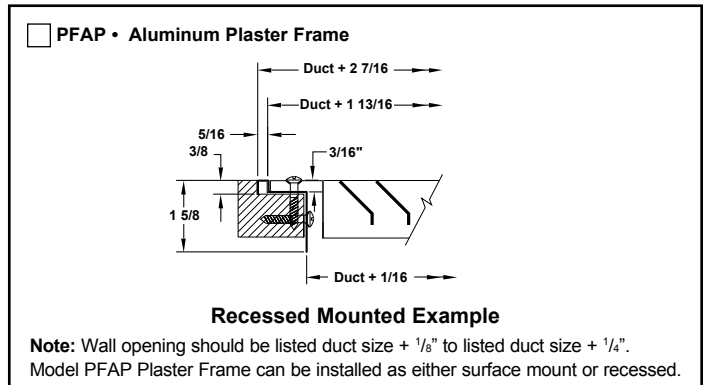
- Models: 4FL • 45° Deflection • Long Blades • 1/2" Blade Spacing
 4FS • 45° Deflection • Short Blades • 1/2" Blade Spacing



Fastenings



Mounting Frames



Accessories (Optional)

Check if provided

- | | |
|--|--|
| <input type="checkbox"/> Opposed blade damper (galvanized steel) | <input type="checkbox"/> IS • Insect Screen (1/16" square mesh – galvanized steel) |
| <input type="checkbox"/> EQT • Earthquake Tabs | <input type="checkbox"/> DS • Debris Screen (1/4" square mesh – galvanized steel) |
| | <input type="checkbox"/> Other: _____ |

Standard Finish: #26 White

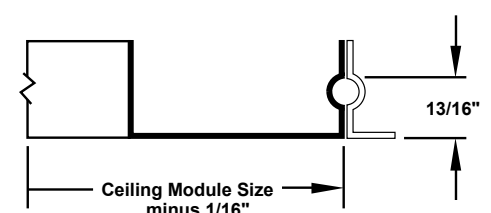
Other Finish: _____

General Description

- One set of 45° fixed blades.
- Optional opposed blade damper has slide adjustment accessible at face of register.
- Material is heavy extruded aluminum for blades and border.
- #8 x 1 1/4" lg. Phillip's flat head sheet metal screws painted white.
- All dimensions are ± 1/16".

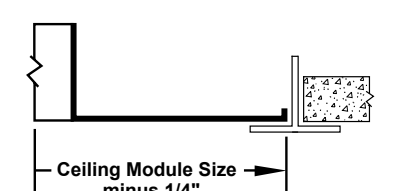
Optional Border Types Available

**Border Type 2 (Snap-in)
Panel Mounted**



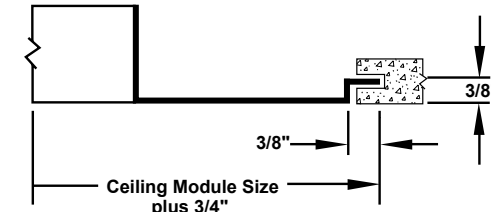
Available in 24" x 24" modules with neck sizes up to 20" x 20".

**Border Type 3 (Lay-in)
Panel Mounted**



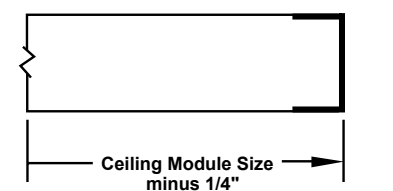
Available in all standard module sizes with neck sizes up to module size minus 2".

**Border Type 4 (Splined)
Panel Mounted**



Available in 24" x 24" modules with neck sizes up to 20" x 20".
Splines on 2 opposite sides only

Border Type 7 (Channel)



Available in sizes up to 48" x 48".

Border Type 2, 3, 4

• Accessories & Options

Check if provided

- Neck mounted opposed blade damper (galvanized steel)
- IS • Insect Screen (1/16" square mesh – galvanized steel)
- DS • Debris Screen (1/4" square mesh – galvanized steel)
- EQT • Earthquake tabs
- Other _____

Standard Finish: #26 White

Optional finish _____

Border Type 7

• Accessories & Options

Check if provided

- EQT • Earthquake tabs
- Other _____

Standard Finish: #26 White

Optional finish _____

