

## GFB-10

- The GeoFlow series is designed to integrate with the Armstrong DesignFlex™ System. It is an excellent choice for a single slot, high performance interior applications. The GeoFlow diffusers complement the Titus FlowBar™ linear diffuser system, ideally suited for perimeter applications.
- The time-proven aerodynamic FlowBar™ borders and pattern controllers in the GeoFlow provide superior throw, low pressure-drop and peak airflow throw patterns.
- The GeoFlow diffuser is shipped fully assembled with flush filler panel, snap-on plenum and is ready to install out of the box.
- The GeoFlow diffuser can be easily field adjusted for directional pattern control including blank off options to provide multiple airflow patterns.
- Diffuser is heavy wall, extruded aluminum, Snap-on plenums are galvanized steel and available in top or side inlets.



GFB-10

### MODELS:

GFB-10 / 1" Slot  
GFB-10 / 1" Slot / Insulated  
GFR-10 / 1" Perforated Return

### FINISHES:

A26 Whitelume  
A01 Silverlume  
A02 Gun Metal Gray  
A84 Tech Black

Border and filler panel: specified finish  
Interior components: Black  
Non-standard finishes available



See website for Specifications



GFB-10

Redefine your comfort zone.™ | www.titus-hvac.com

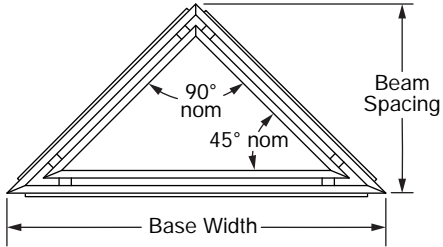


C

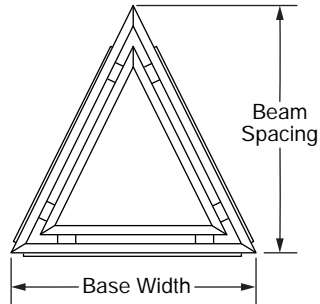
GEOFLOW

GFB-10 AND GFBI-10

TRI

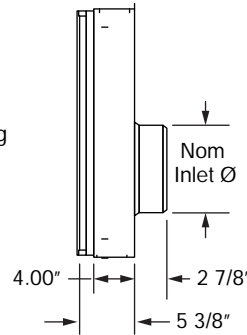


24° Beam x 48° Base

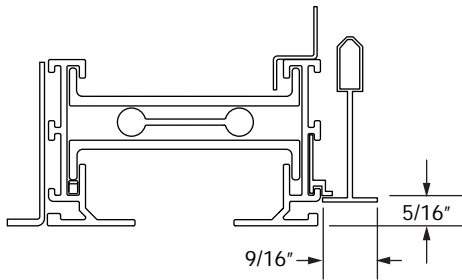
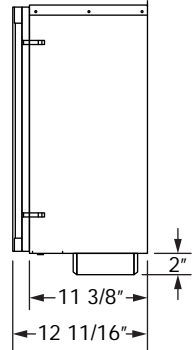


24° Beam x 48° Base  
48° Beam x 48° Base

TOP INLET

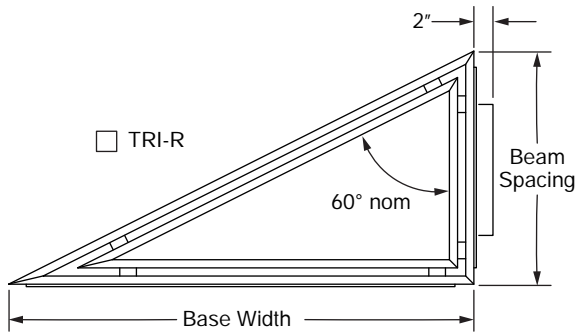


SIDE INLET

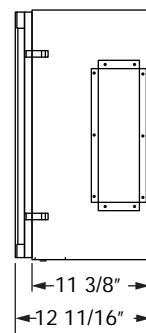


Shape	Beam Spacing	Base Width	Top Inlet				Side Inlet			
			6	8	10	12	4 X 7	4 X 13	6 X 13	6 X 19
TRI	24	24	✓	✓			✓	✓		
TRI	48	48			✓	✓			✓	✓
TRI	24	48		✓	✓			✓	✓	
TRI-R/L	24	24	✓	✓			✓	✓		

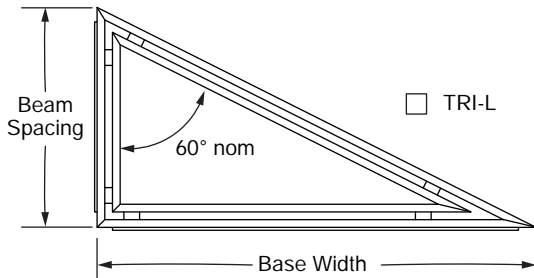
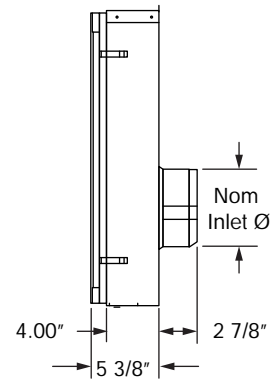
TRI-R



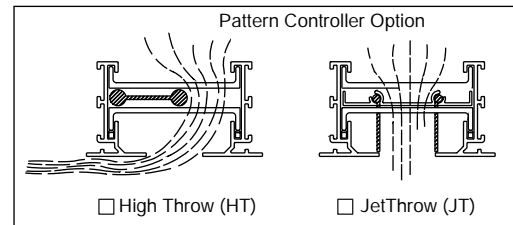
SIDE INLET



TOP INLET



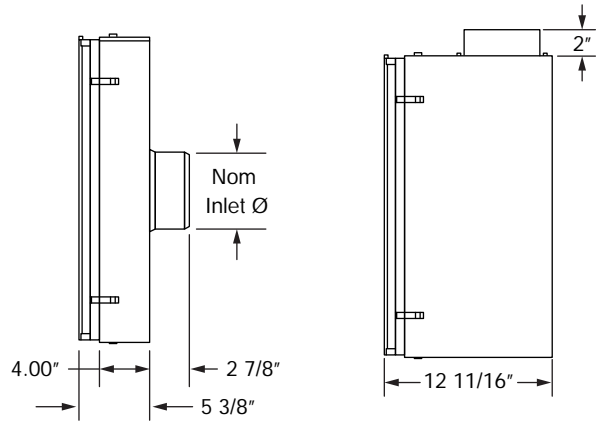
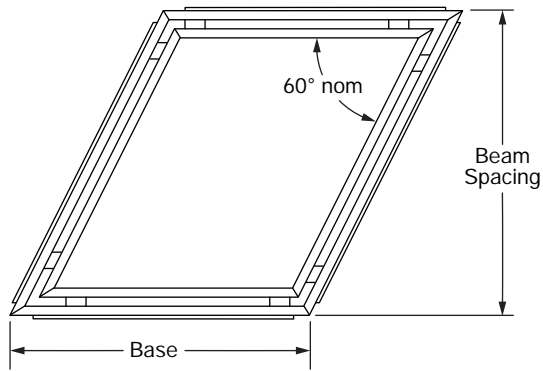
TRI-L



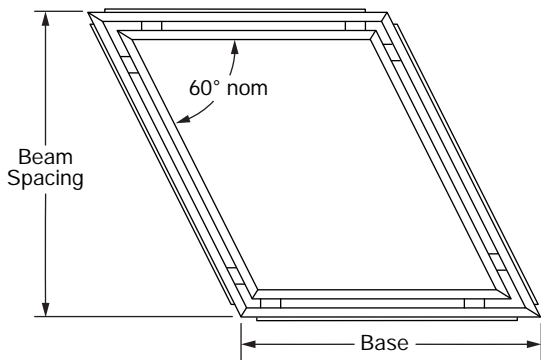
SIZE, SHAPE AND INLET AVAILABILITY

GFB-10 AND GFB1-10

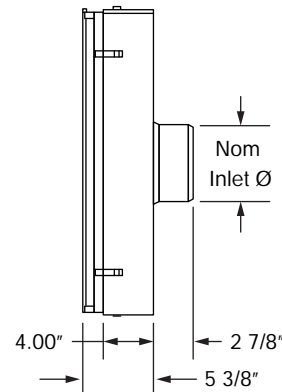
PRL-R



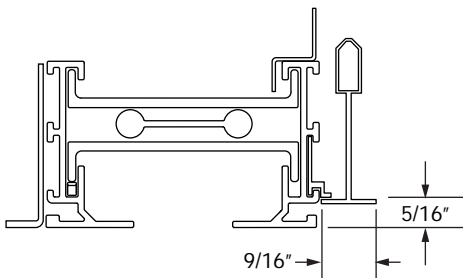
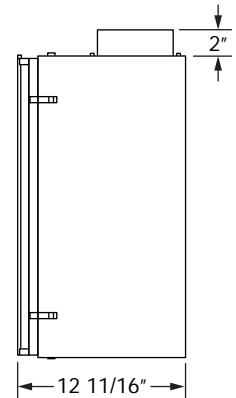
PRL-L



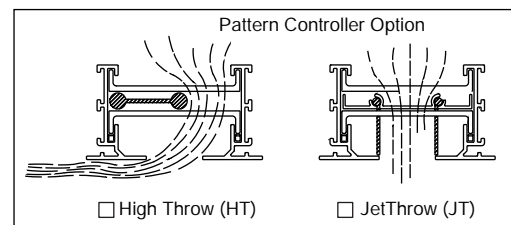
TOP INLET



SIDE INLET

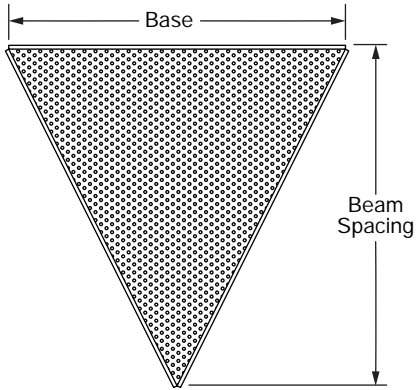


Shape	Beam Spacing	Base Width	Top Inlet		Side Inlet	
			6	8	4 X 7	4 X 13
PRL-R/L	24	24	✓	✓	✓	✓



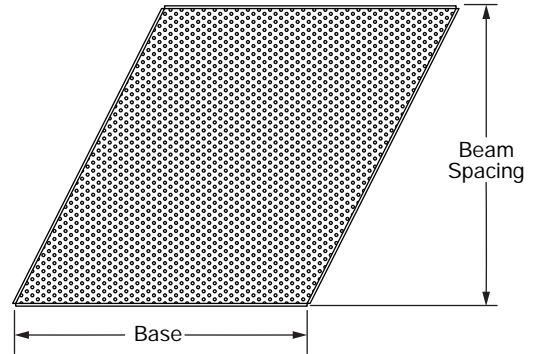
GFR-10

□ TRI



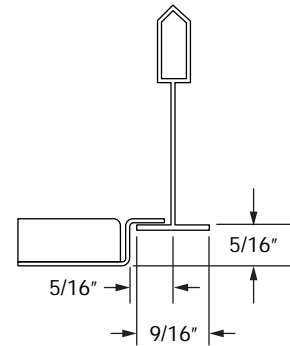
□ PRL-R (SHOWN)

□ PRL-L (OPPOSITE OF SHOWN)



Shape	Beam Spacing	Base Width
TRI	24	24
TRI	48	48
TRI	24	48
TRI-R	24	48
TRI-L	24	48

Shape	Beam Spacing	Base Width
PRL-L	24	24
PRL-R	24	24



PERFORMANCE DATA

GFB-10 TRI - 48" X 48" - ROUND (TOP INLET)

		Neck Velocity, (fpm)	300	400	500	600	700	750	800	850	900
		Velocity Pressure, (In. WG)	0.006	0.010	0.016	0.022	0.031	0.035	0.040	0.045	0.050
1" Slot Width	10" Dia Inlet	Airflow, cfm	164	218	273	327	382	409	436	464	491
		Total Pressure, (In. WG)	0.026	0.043	0.069	0.095	0.134	0.152	0.174	0.195	0.217
		NC (Noise Criteria)	-	17	24	29	34	36	38	40	41
		Throw (feet)	2-4-9	3-6-12	5-8-14	6-9-15	7-11-16	8-12-17	8-12-17	9-13-18	9-13-18
	12" Dia Inlet	Airflow, cfm	236	314	393	471	550	589	628	668	707
		Total Pressure, (In. WG)	0.046	0.077	0.123	0.169	0.238	0.269	0.308	0.346	0.385
		NC (Noise Criteria)	16	24	31	37	41	43	45	47	49
		Throw (feet)	3-7-13	6-9-15	8-11-16	9-13-18	11-14-19	11-14-20	12-15-21	12-15-21	13-16-22

GFB-10 TRI - 24" X 24" - ROUND (TOP INLET)

		Neck Velocity, (fpm)	300	400	500	600	700	750	800	850	900
		Velocity Pressure, (In. WG)	0.006	0.010	0.016	0.022	0.031	0.035	0.040	0.045	0.050
1" Slot Width	6" Dia Inlet	Airflow, cfm	59	79	98	118	137	147	157	167	177
		Total Pressure, (In. WG)	0.016	0.027	0.044	0.060	0.085	0.096	0.110	0.123	0.137
		NC (Noise Criteria)	-	11	17	23	27	29	31	33	35
		Throw (feet)	1-2-6	2-4-7	3-5-8	4-6-9	5-7-10	5-7-10	5-7-10	5-8-11	6-8-11
	8" Dia Inlet	Airflow, cfm	105	140	175	209	244	262	279	297	314
		Total Pressure, (In. WG)	0.036	0.061	0.097	0.134	0.189	0.213	0.243	0.274	0.304
		NC (Noise Criteria)	14	23	29	35	39	41	43	45	47
		Throw (feet)	3-5-8	5-7-10	6-8-11	7-8-12	7-9-13	8-9-13	8-10-14	8-10-14	8-10-15

GFB-10 TRI - 24" X 48" - ROUND (TOP INLET)

		Neck Velocity, (fpm)	300	400	500	600	700	750	800	850	900
		Velocity Pressure, (In. WG)	0.006	0.010	0.016	0.022	0.031	0.035	0.040	0.045	0.050
1" Slot Width	8" Dia Inlet	Airflow, cfm	105	140	175	209	244	262	279	297	314
		Total Pressure, (In. WG)	0.019	0.032	0.052	0.071	0.100	0.113	0.129	0.146	0.162
		NC (Noise Criteria)	-	14	21	26	31	33	35	36	38
		Throw (feet)	1-3-8	2-5-10	4-6-11	5-8-12	6-9-13	6-9-13	7-10-14	7-10-14	8-10-15
	10" Dia Inlet	Airflow, cfm	164	218	273	327	382	409	436	464	491
		Total Pressure, (In. WG)	0.036	0.060	0.096	0.132	0.186	0.210	0.240	0.270	0.300
		NC (Noise Criteria)	14	23	30	35	40	42	44	46	47
		Throw (feet)	3-6-11	5-8-12	7-10-14	8-11-15	9-11-16	10-12-17	10-12-17	10-13-18	11-13-18



PERFORMANCE DATA

Redefine your comfort zone.™ | www.titus-hvac.com

**GFB-10 TRI-90 - 24" X 48" - ROUND (TOP INLET)**

		Neck Velocity, (fpm)	300	400	500	600	700	750	800	850	900
		Velocity Pressure, (In. WG)	0.006	0.010	0.016	0.022	0.031	0.035	0.040	0.045	0.050
1" Slot Width	8" Dia Inlet	Airflow, cfm	105	140	175	209	244	262	279	297	314
		Total Pressure, (In. WG)	0.023	0.038	0.061	0.083	0.118	0.133	0.152	0.171	0.190
		NC (Noise Criteria)	-	13	20	25	30	32	34	36	37
		Throw - Long Side (feet)	1-3-8	2-5-11	4-7-12	5-8-13	6-9-14	7-10-15	7-11-15	8-11-16	8-11-16
		Throw - Short Side (feet)	0-1-3	0-1-4	1-2-6	1-2-7	2-3-9	2-4-9	2-4-10	2-5-10	2-6-11
	10" Dia Inlet	Airflow, cfm	164	218	273	327	382	409	436	464	491
		Total Pressure, (In. WG)	0.045	0.075	0.120	0.165	0.233	0.263	0.300	0.338	0.375
		NC (Noise Criteria)	14	22	29	35	39	41	43	45	47
		Throw - Long Side (feet)	3-6-12	6-8-13	7-11-15	8-12-16	10-13-18	11-13-18	11-13-19	11-14-20	12-14-20
		Throw - Short Side (feet)	1-2-6	1-3-8	2-4-10	3-6-11	4-7-12	4-7-12	5-8-13	5-8-13	6-9-14

**GFB-10 PRL - 24" X 24" - ROUND (TOP INLET)**

		Neck Velocity, (fpm)	300	400	500	600	700	750	800	850	900
		Velocity Pressure, (In. WG)	0.006	0.010	0.016	0.022	0.031	0.035	0.040	0.045	0.050
1" Slot Width	6" Dia Inlet	Airflow, cfm	59	79	98	118	137	147	157	167	177
		Total Pressure, (In. WG)	0.013	0.021	0.033	0.046	0.065	0.073	0.084	0.094	0.104
		NC (Noise Criteria)	-	-	10	16	20	22	24	26	28
		Throw (feet)	0-1-4	1-2-6	1-3-7	2-4-8	3-5-9	3-5-9	3-6-10	4-6-10	4-6-10
	8" Dia Inlet	Airflow, cfm	105	140	175	209	244	262	279	297	314
		Total Pressure, (In. WG)	0.024	0.040	0.064	0.087	0.123	0.139	0.159	0.179	0.199
		NC (Noise Criteria)	-	16	22	28	32	35	36	38	40
		Throw (feet)	2-3-8	3-5-9	4-6-10	5-7-11	6-8-12	6-9-12	7-9-13	7-9-13	7-10-14