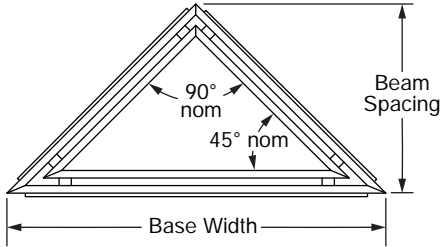
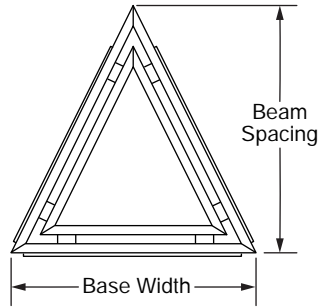


GFB-10 AND GFBI-10

TRI

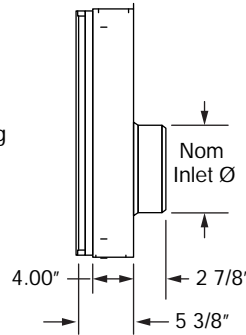


24" Beam x 48" Base

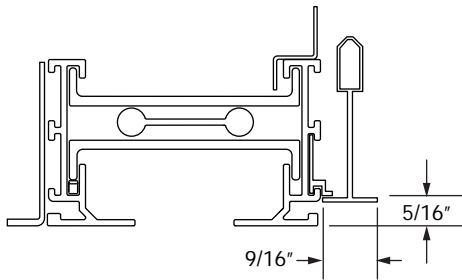
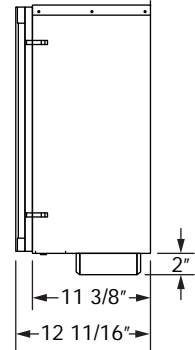


24" Beam x 48" Base
48" Beam x 48" Base

TOP INLET

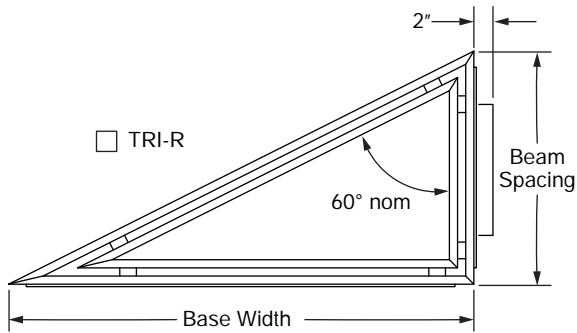


SIDE INLET

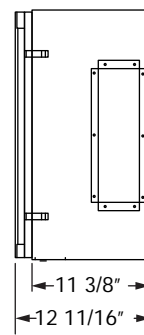


Shape	Beam Spacing	Base Width	Top Inlet				Side Inlet			
			6	8	10	12	4 X 7	4 X 13	6 X 13	6 X 19
TRI	24	24	✓	✓			✓	✓		
TRI	48	48			✓	✓			✓	✓
TRI	24	48		✓	✓			✓	✓	
TRI-R/L	24	24	✓	✓			✓	✓		

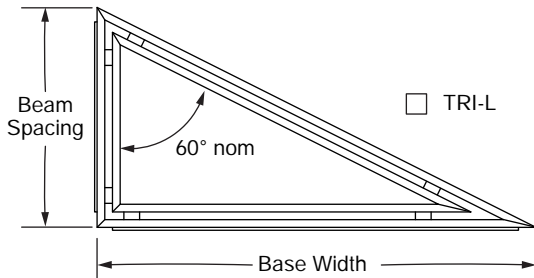
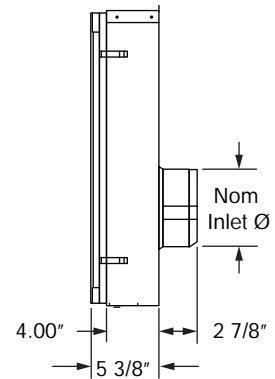
TRI-R



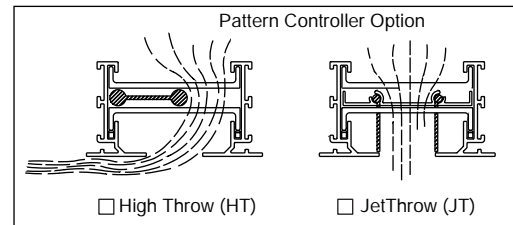
SIDE INLET



TOP INLET



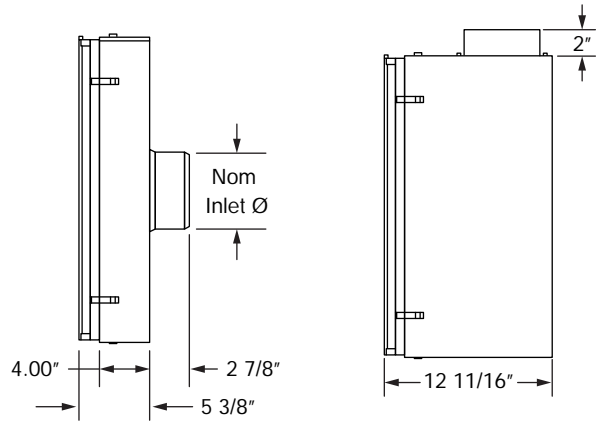
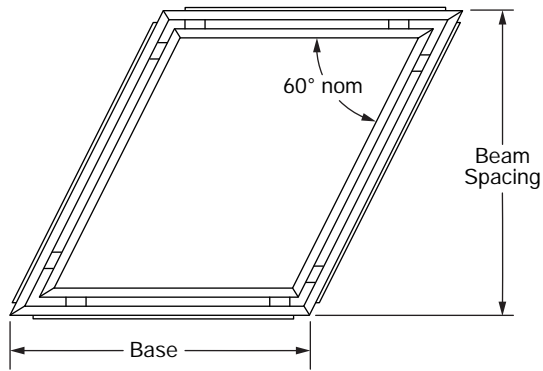
TRI-L



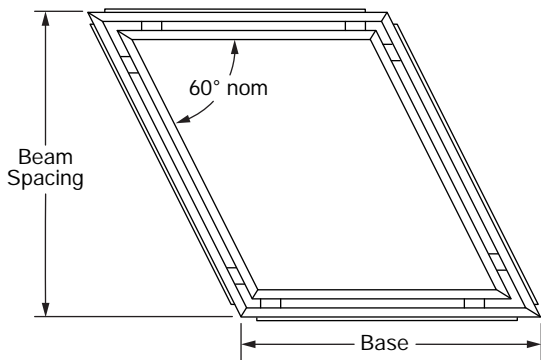
SIZE, SHAPE AND INLET AVAILABILITY

GFB-10 AND GFB1-10

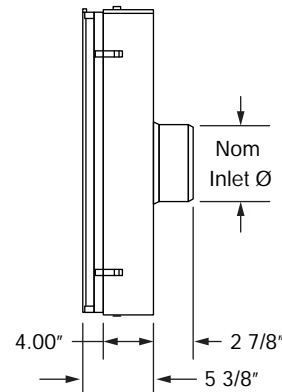
PRL-R



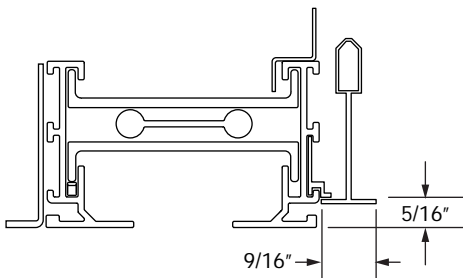
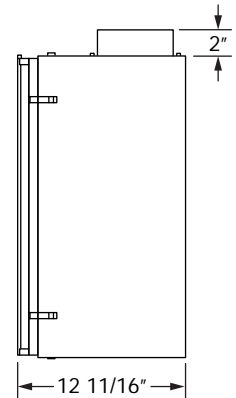
PRL-L



TOP INLET



SIDE INLET



Shape	Beam Spacing	Base Width	Top Inlet		Side Inlet	
			6	8	4 X 7	4 X 13
PRL-R/L	24	24	✓	✓	✓	✓

