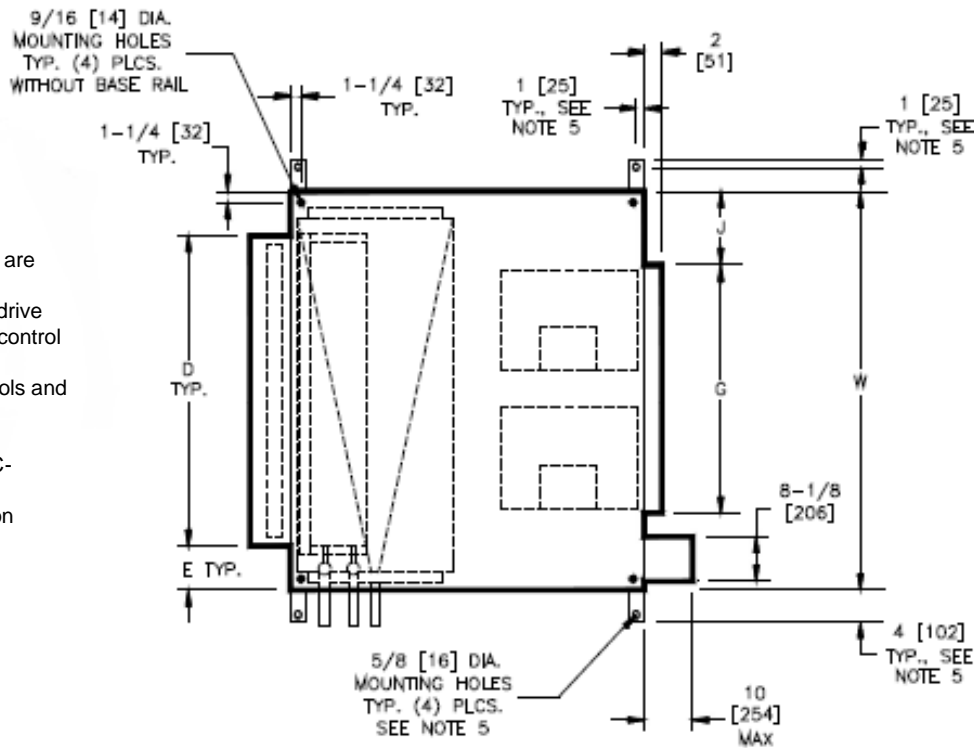


## TBHD Dual Blower Arr. 3

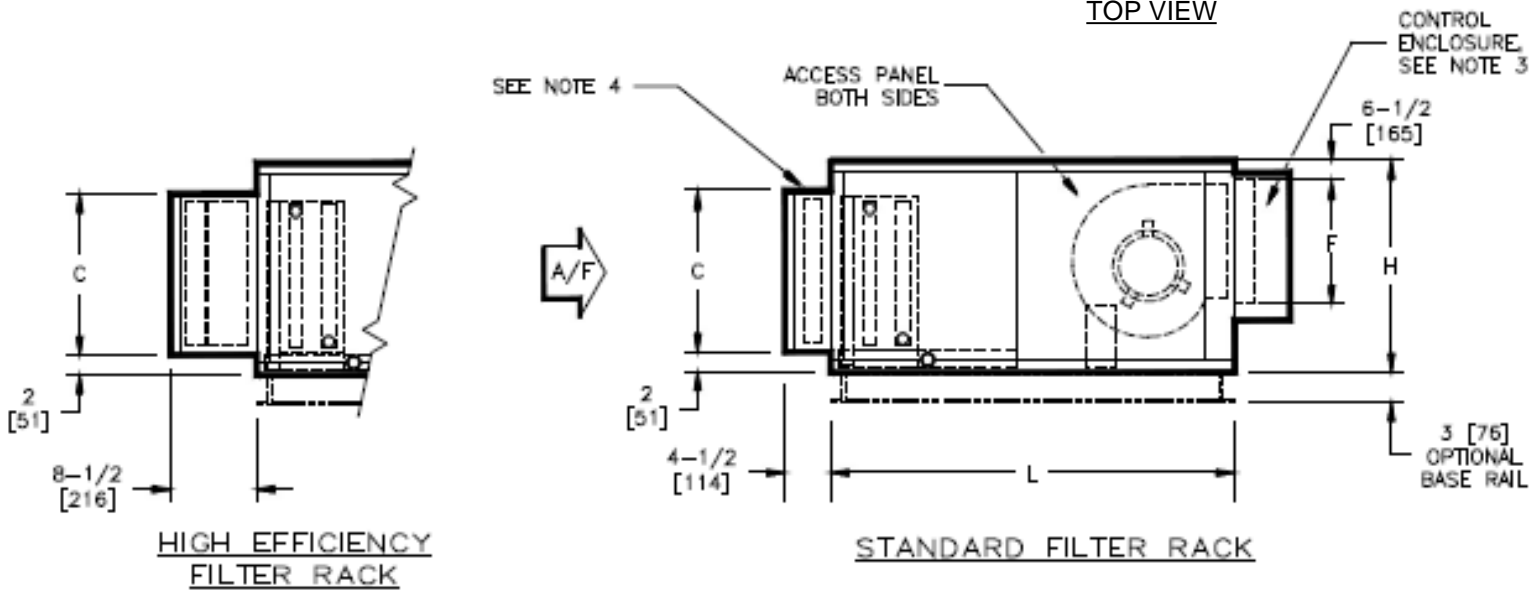
Model TBHD Direct Drive Dual Blower  
Coil Unit Discharge ARGT. 3

### NOTES:

1. All dimensions are Inches [millimeters]. All dimensions are  $\pm 1/4"$  [6mm]. Metric Values are soft conversion.
2. Right hand unit shown, left hand unit opposite. Motor/drive location may be specified Left or Right Hand. Standard control enclosure location matches motor/drive position.
3. Provide sufficient clearance to permit access To controls and comply with applicable codes and ordinances.
4. See drawing BC-TBHD-16.0 for filter rack details.
5. Base rail is optional on the base unit. See Drawing BC-TBHD-18.0. Base rails must be used with mixing box.
6. See coil connection details drawings for coil connection sizes and locations.



TOP VIEW



SIDE VIEW

### DIMENSIONS

SIZE	FAN SIZE	L	W	H	C	D	E	F	G	J
30	10 X 8 [254 X 203]	46 [1168]	59 [1499]	30 [762]	25 [635]	51 [1295]	4 [102]	18 [457]	36-1/2 [927]	11-1/4 [286]
40	10 X 8 [254 X 203]	46 [1168]	68 [1727]	30 [762]	25 [635]	59 [1499]	4-1/2 [114]	18 [457]	36-1/2 [927]	15-3/4 [400]

New	08/04/22	SP	New Release
Revision Date	Version Date	Initiated By	Description