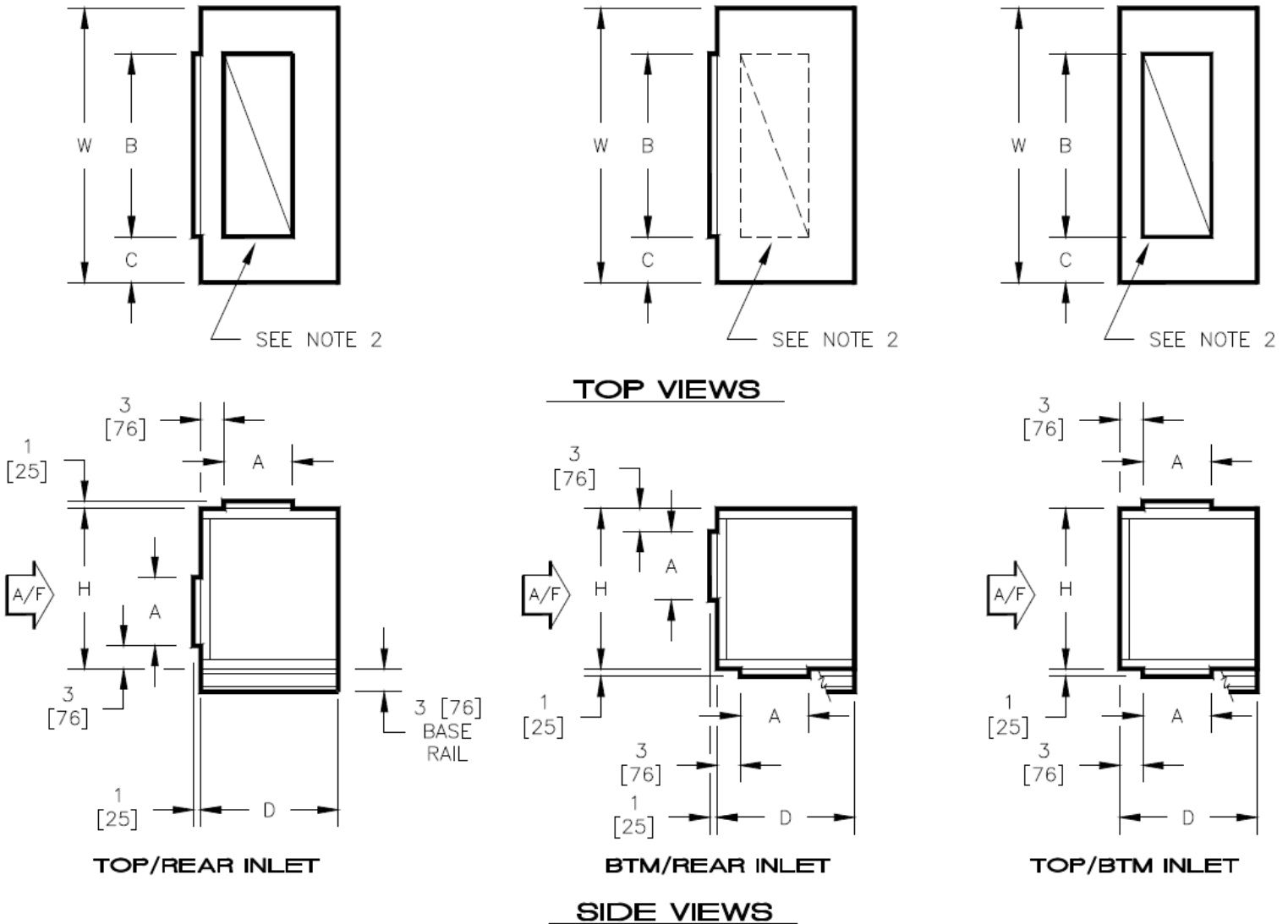


TBHD & TBVD Standard Mixing Box

Model TBHD/TBVD Direct Drive Blower Coil Unit Standard Mixing Bow



DIMENSIONS

UNIT MODEL	SIZE	H	W	A	B	C	D
TBHD/TBHD	08	21 [533]	30 [762]	9 [229]	18 [457]	6 [152]	18 [457]
TBHD/TBHD	12	21 [533]	36 [914]	9 [229]	24 [610]	6 [152]	18 [457]
TBHD/TBHD	16	21 [533]	44 [1118]	9 [229]	30 [762]	7 [178]	18 [457]
TBHD	20	22-1/2 [572]	50 [1270]	12 [305]	36 [914]	7 [178]	21 [533]
TBHD	20	21 [533]	50 [1270]	12 [305]	36 [914]	7 [178]	21 [533]
TBHD/TBHD	30	30 [762]	59 [1499]	12 [305]	45 [1143]	7 [178]	21 [533]
TBHD/TBHD	40	30 [762]	68 [1727]	15 [381]	48 [1219]	10 [254]	24 [610]

Notes:

1. All dimensions are Inches [millimeters]. All dimensions $\pm 1/4"$ [6mm]. Metric values are soft conversion.
2. Damper drive rods are internal, located on both sides of unit.
3. Mixing box includes space for standard flat filter rack.
4. See drawing BC-TBHD-18.0. Base rails must be used with mixing box.

New	08/04/22	SP	New Release
Revision Date	Version Date	Initiated By	Description