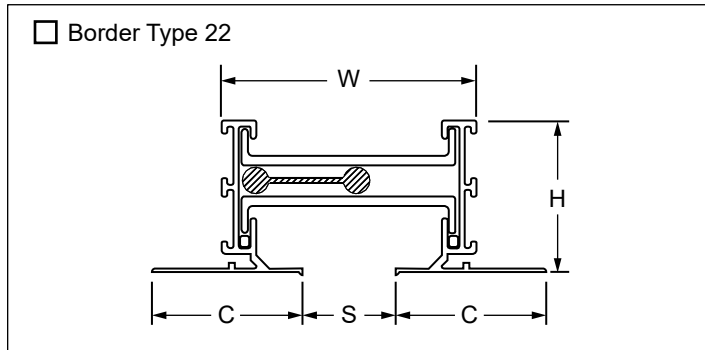
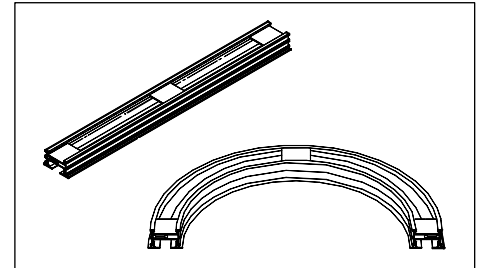


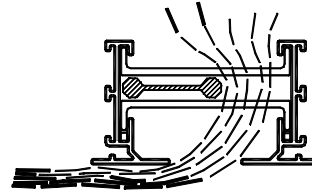
## FlowBar™ Architectural Ceiling Diffusers Compatible with Apure Minus Two LED Lighting Module\*

Aluminum • FlowBar Linear  
 \*LED Lighting Module sold separately

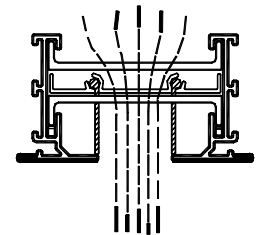
Models: FL-10 LED  
 • 1" Slot



### Pattern Controllers



High Throw (HT)



Jet Throw (JT)

### Slot Width Option

Model	S Slot Width	W Width	A Border Width	C Border Width	D Border Width	H Height
FL-10 LED	1	2 3/4	7/8	1 5/8	1 3/8	1 11/16

### Accessories (Optional) Check if provided.

Optional FlowBar Mitered Corner

Model  
 FBMC-10

No. of Slots	Slot Width	Border Type 22		
		L	W	A
1	1	9 1/2	4 1/4	5 1/4

Note: Slot is blanked off

Optional Blank-Offs

Model  
 FBBO-10

Note: Blankoffs are painted black. Not available for curved FlowBar. Provided in 72" lengths. Field cut to length.

Optional Return Hood/Light Shield

Model  
 FBR-10

Uninsulated

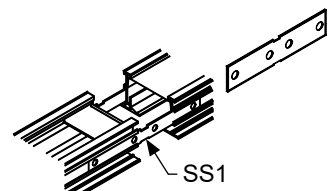
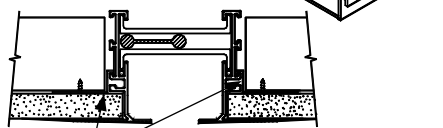
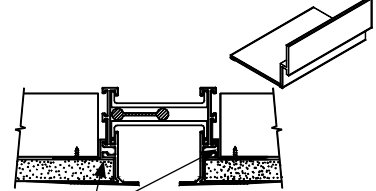
Model  
 FBRI-10

Insulated

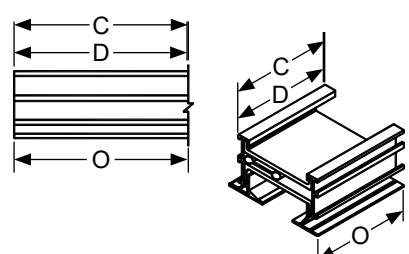
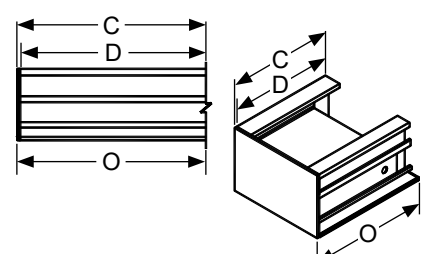
Number of Slots	Slot Width	H (Height)
1	1	3 3/8

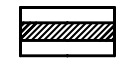

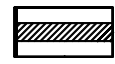
Note: Return Hoods are 51% free area. Finish is #84 black.

**Hanger & Mounting Clips** Check  if provided.

<input type="checkbox"/> SS1 –Connector Clip (as shipped)  Adjoins multiple sections of FlowBar.	<input type="checkbox"/> H3 –Hard Ceiling Clip  Can be used to mount Border Type 22 with standard 5/8" gyp board.	<input type="checkbox"/> H5 –Hard Ceiling Clip  Used to mount Border 22 to 1/2" gyp board (residential).
---	---	---

**End Fabrication** Check  if provided.

Y Open End 	ECX End Cap 
---	---

Border Type	Slot Width						
		YY		ECXX		ECXY	
		C	O	C	O	C	O
22	1	D	D	D+1/8	D+1/8	D+1/16	D+1/16

Dimensions in Inches, D = ordered or specified length, (NA) indicates not available

**Clip Usage Chart**

Code	Application	22
H3	TAPE & SPACKLE 5/8" GYP	✓
H5	TAPE & SPACKLE 1/2" GYP	✓
SS1	JOINER	✓

## General Description

---

- Continuous length segments are furnished in 72" or optional 144". Spline clips are furnished for joining segments.
- The number and length of non-maximum segments are determined by the factory.
- Border 2 is #84 black. All interior surfaces are black.
- Pattern controllers change direction of the air flow. Maximum length is 24".
- Diffuser material is extruded aluminum.
- Assembled one slot unit weighs approximately 1 lb./ft.
- Model FBPI endcaps not insulated.
- **Apure Minus Two LED lighting modules sold separately**
- **For more information regarding the Apure Minus Two lighting modules, go to <https://apurelighting.com>, or scan the QR code below**

*For more information on Apure Minus Two lighting, please scan the QR code below*



This submittal is meant to demonstrate general dimensions of this product. The drawings are not meant to detail every aspect of the product. Drawings are not to scale. Titus reserves the right to make changes without written notice.

All rights reserved. No part of this work may be reproduced or transmitted in any form or by any means, electronic or mechanical, including photocopying and recording, or by any information storage retrieval system without permission in writing from Air Distribution Technologies, Inc.