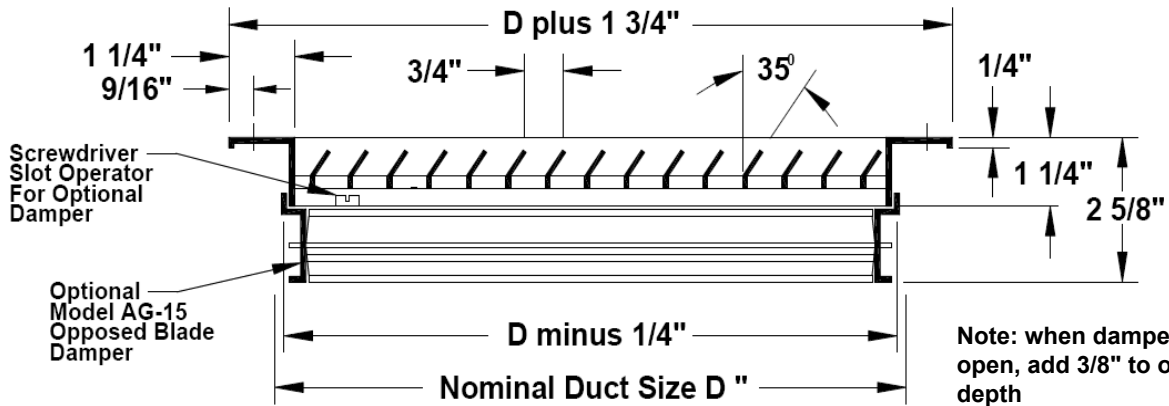


- | | | | |
|---------------------------------------|------------------|----------------|-----------------------|
| <input type="checkbox"/> 350FL | • 35° Deflection | • Long Blades | • 3/4" Blades Spacing |
| <input type="checkbox"/> 350FS | • 35° Deflection | • Short Blades | • 3/4" Blades Spacing |

Louvered Return Grilles • Aluminum

- Border Type 1 (Surface Mount)



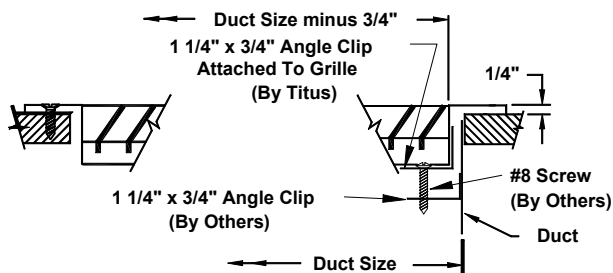
Available Sizes (D" x D")

Border Type 1 is available in sizes 6" x 4" through 48" x 48" in 2" increments in one piece construction. Odd and fractional sizes are available at additional cost. Sizes larger than 48" x 48" are shipped in multiple sections with joining strips for field assembly.

Note: Wall or duct opening should be duct size ± 1/8". All dimensions are in inches.

Fastenings

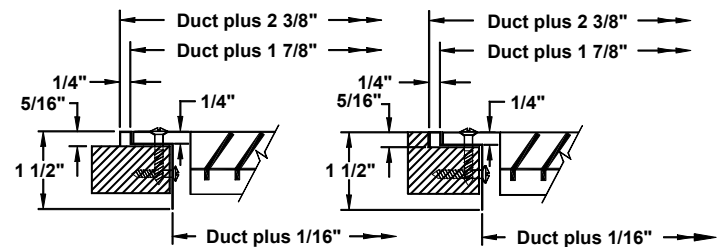
- Type A • External Screw Type C • Concealed Screw



Available with Border Type 1 only. Type C fastening not available with damper.

Mounting Frames

- PF • Steel Plaster Frame PFA • Aluminum Plaster Frame



Surface Mounted Example Recessed Mounted Example

Note: Wall opening should be listed duct size + 1/8" to listed duct size + 1/4".

Accessories (Optional) Check if provided.

- | | |
|---|--|
| <input type="checkbox"/> Neck mounted opposed blade damper (galvanized steel) | <input type="checkbox"/> IS • Insect Screen (1/16" square mesh – galvanized steel) |
| <input type="checkbox"/> EQT • Earthquake Tabs | <input type="checkbox"/> DS • Debris Screen (1/4" square mesh – galvanized steel) |
| | <input type="checkbox"/> Other: _____ |

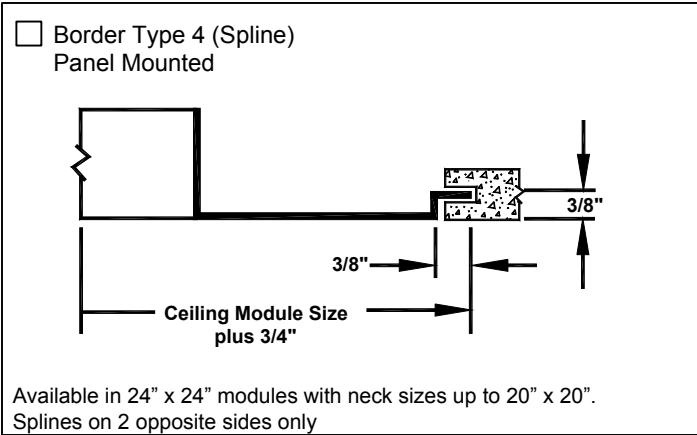
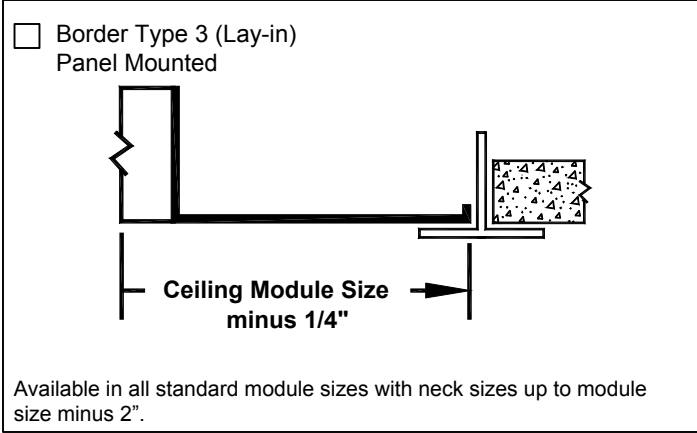
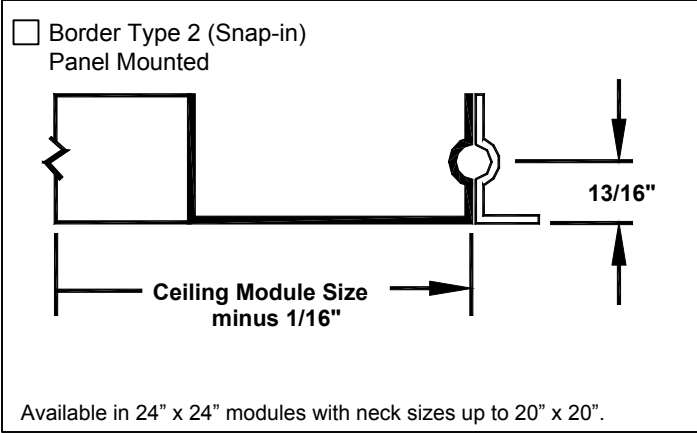
Standard Finish: #26 White

- Other Finish: _____

General Description

- Available with louvers vertical or horizontal.
- #8 x 1 1/4" lg. Phillips flat head sheet metal screws painted white.
- Optional opposed blade damper has screwdriver adjustment accessible through face of grille.
- Material is Aluminum.
- All dimensions are ± 1/16".

Optional Border Types Available



Border Type 2, 3, 4

• Accessories & Options

Check if provided.

- AG-15 • Neck mounted opposed blade damper (galvanized steel)
- IS • Insect Screen (1/16" square mesh – galvanized steel)
- DS • Debris Screen (1/4" square mesh – galvanized steel)
- EQT • Earthquake tabs
- Other: _____

Standard Finish: #26 White

Optional finish: _____



Note: This submittal is meant to demonstrate general dimensions of this product. The drawings on this submittal are not meant to detail every aspect of the product with exactness. Drawings are not to scale. TITUS reserves the right to make changes without written notice.
605 Shiloh Road • Plano, Texas 75074 • 972-212-4800