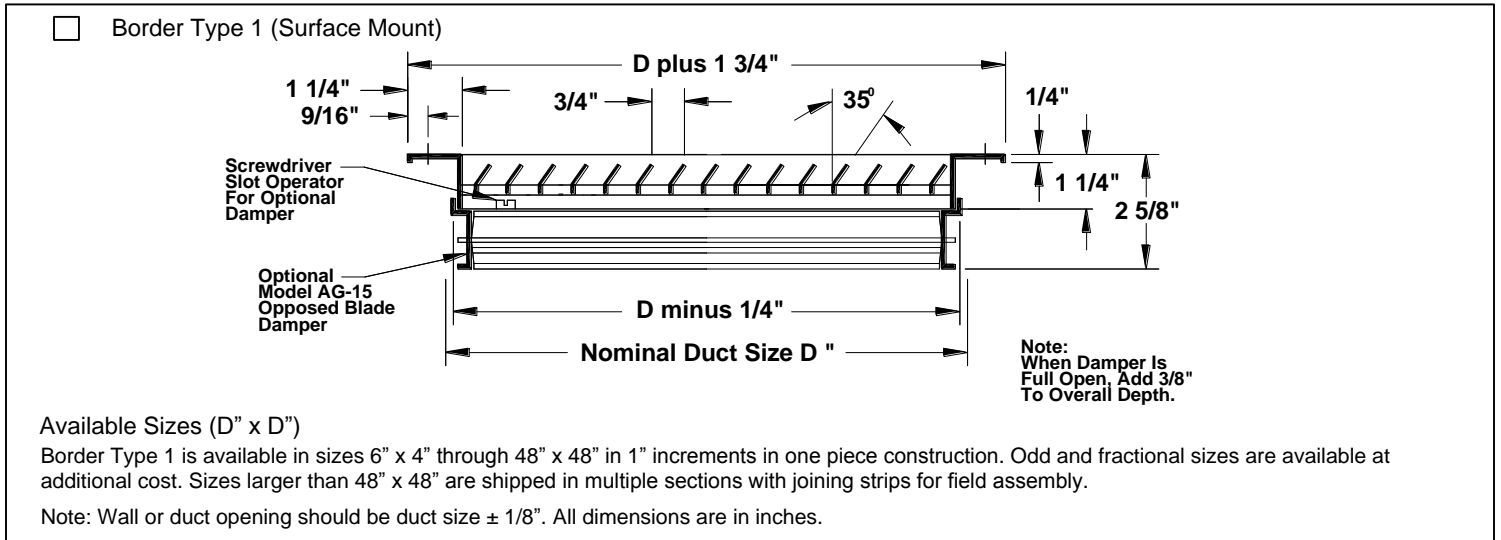
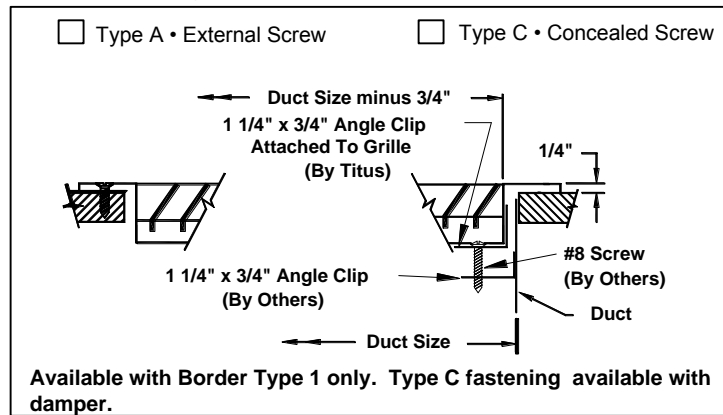


## Louvered Return Grilles • Steel

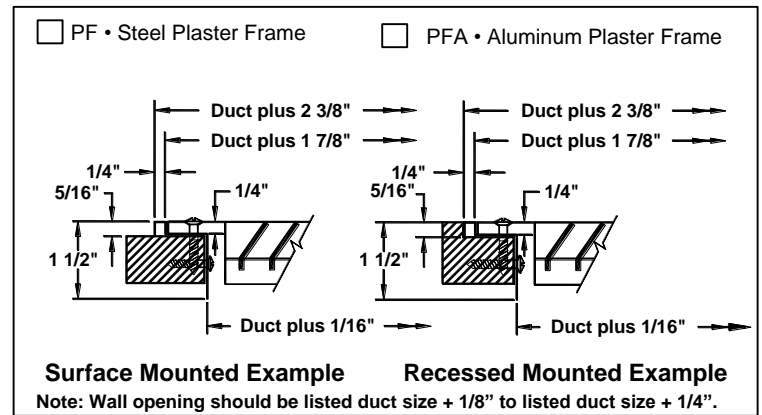
- Models:  350RL • 35° Deflection • Long Blades • 3/4" Blades Spacing  
 350RS • 35° Deflection • Short Blades • 3/4" Blades Spacing



### Fastenings



### Mounting Frames



Accessories (Optional) Check  if provided.

- Neck mounted opposed blade damper (galvanized steel)       IS • Insect Screen (1/16" square mesh – galvanized steel)  
 EQT • Earthquake Tabs       DS • Debris Screen (1/4" square mesh – galvanized steel)  
 Other: \_\_\_\_\_

Standard Finish: #26 White

Other Finish: \_\_\_\_\_

### General Description

• Material is Steel.

- Available with louvers vertical or horizontal.
- Optional opposed blade damper has screwdriver adjustment accessible through face of grille.
- All dimensions are  $\pm 1/16$ ".
- #8 x 1 1/4" lg. Phillips flat head sheet metal screws painted white.

This submittal is meant to demonstrate general dimensions of this product. The drawings are not meant to detail every aspect of the product. Drawings are not to scale. Titus reserves the right to make changes without written notice.

### Optional Border Types Available

Border Type 2 (Snap-in)  
Panel Mounted

13/16"

Ceiling Module Size minus 1/16"

Available in 24" x 24" modules with neck sizes up to 20" x 20".

Border Type 3 (Lay-in)  
Panel Mounted

Ceiling Module Size minus 1/4"

Available in all standard module sizes with neck sizes up to module size minus 2".

Border Type 4 (Splines)  
Panel Mounted

3/8"

3/8"

Ceiling Module Size plus 3/4"

Available in 24" x 24" modules with neck sizes up to 20" x 20".  
Splines on 2 opposite sides only

Border Type NT (Narrow Tee)

3/16"

5/16"

CEILING MODULE MINUS 3/4"

NT Border is available in module sizes 24" x 12" & 24" x 24" only.

### Border Type 2, 3, 4, NT

• Accessories & Options

Check  if provided.

- AG-15 • Neck mounted opposed blade damper (galvanized steel)
- IS • Insect Screen (1/16" square mesh – galvanized steel)
- DS • Debris Screen (1/4" square mesh – galvanized steel)
- EQT • Earthquake tabs
- Other: \_\_\_\_\_

Standard Finish: #26 White

Optional finish: \_\_\_\_\_