

## Louvered Return Grilles and Registers • Steel

Models:  **355RL** • 35° Deflection • Long Blades • 1/2" Blade Spacing

**355RS** • 35° Deflection • Short Blades • 1/2" Blade Spacing

**Border Type 1 • Surface Mount**

Dimensions shown in drawing:  
 - Total width: D plus 1 3/4"  
 - Blade width: D minus 3/4"  
 - Blade spacing: 1/2"  
 - Blade deflection: 35°  
 - Mounting lip height: 1 1/4"  
 - Overall depth: 2 1/2"  
 - Duct opening width: D minus 1/2"  
 - Nominal Duct Size: D"

Labels:  
 - Screwdriver Slot Operator For Optional Damper  
 - Optional Opposed Blade Damper

Note: When Damper Is Full Open, Add 3/8" To Overall Depth.

**Available Sizes (D" x D")**  
 Border Type 1 is available in sizes 6" x 4" through 48" x 48" in 2" increments in one piece construction. Odd and fractional sizes are available at additional cost. Sizes larger than 48" x 48" are shipped in multiple sections with joining strips for field assembly.

Note: Wall or duct opening should be duct size ± 1/8". All dimensions are in inches.

### Fastenings

**Type A • External Screw**       **Type C • Concealed Screw**

Labels:  
 - Duct Size minus 3/4"  
 - 1 1/4" x 3/4" Angle Clip Attached To Grille (By Titus)  
 - 1/4"  
 - #8 Screw (By Others)  
 - 1 1/4" x 3/4" Angle Clip (By Others)  
 - Duct  
 - Duct Size

Available with Border Type 1 only.

### Mounting Frames

**PF • Steel Plaster Frame**       **PFA • Aluminum Plaster Frame**

Labels:  
 - Duct plus 2 3/8"  
 - Duct plus 1 7/8"  
 - 1/4"  
 - 5/16"  
 - 1 1/2"  
 - Duct plus 1/16"  
 - Duct plus 1 7/8"  
 - 1/4"  
 - 5/16"  
 - 1 1/2"  
 - Duct plus 1/16"

Surface Mounted Example      Recessed Mounted Example

Note: Wall opening should be listed duct size + 1/8" to listed duct size + 1/4".

### Accessories (Optional)

Check  if provided

- Neck mounted opposed blade damper (galvanized steel)
- IS • Insect Screen (1/16" square mesh – galvanized steel)
- DS • Debris Screen (1/4" square mesh – galvanized steel)
- EQT • Earthquake tabs
- Other \_\_\_\_\_

### Standard Finish: #26 White

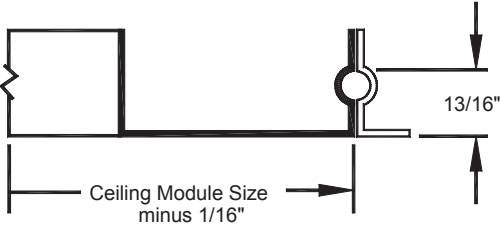
Optional finish \_\_\_\_\_

### General Description

- Available with louvers vertical or horizontal.
- #8 x 1 1/4" lg. Phillips flat head sheet metal screws painted white.
- Optional opposed blade damper has screwdriver adjustment accessible through face of register.
- Material: Steel.
- All dimensions are ± 1/16".

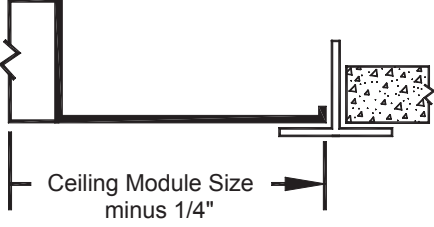
## Optional Border Types Available

**Border Type 2 (Snap-in)  
Panel Mounted**



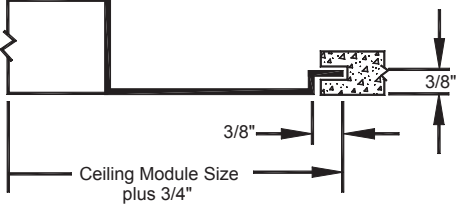
Available in 24" x 24" modules with neck sizes up to 20" x 20".

**Border Type 3 (Lay-in)  
Panel Mounted**



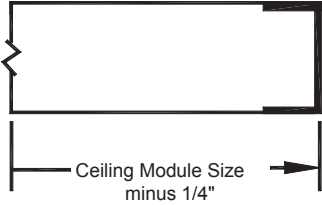
Available in all standard module sizes with neck sizes up to module size minus 2".

**Border Type 4 (Spline)  
Panel Mounted**



Available in 24" x 24" modules with neck sizes up to 20" x 20".  
Splines on 2 opposite sides only

**Border Type 7 (Channel)**



Available in sizes up to 48" x 48".

### Border Type 2, 3, 4

**• Accessories & Options**

Check  if provided

- AG-15 • Neck mounted opposed blade damper (galvanized steel)
- IS • Insect Screen (1/16" square mesh – galvanized steel)
- DS • Debris Screen (1/4" square mesh – galvanized steel)
- EQT • Earthquake tabs
- Other \_\_\_\_\_

**Standard Finish:** #26 White

Optional finish \_\_\_\_\_

### Border Type 7

**• Accessories & Options**

Check  if provided

- EQT • Earthquake tabs
- Other \_\_\_\_\_

**Standard Finish:** #26 White

Optional finish \_\_\_\_\_

