

Louvered Return Grilles and Registers • Aluminum

Models: **355ZFL** • 0° Deflection • Long Blades • 1/2" Blade Spacing

355ZFS • 0° Deflection • Short Blades • 1/2" Blade Spacing

Border Type 1 • Surface Mount

Available Sizes (D" x D")
 Border Type 1 is available in sizes 6" x 4" through 48" x 48" in 2" increments in one piece construction. Odd and fractional sizes are available at additional cost. Sizes larger than 48" x 48" are shipped in multiple sections with joining strips for field assembly.

Note: Wall or duct opening should be duct size $\pm 1/8"$. All dimensions are in inches.

Fastenings

Type A • External Screw **Type C • Concealed Screw**

Available with Border Type 1 only. Type C fastening not available with damper.

Mounting Frames

PF • Steel Plaster Frame **PFA • Aluminum Plaster Frame**

Surface Mounted Example Recessed Mounted Example
 Note: Wall opening should be listed duct size + 1/8" to listed duct size + 1/4".

Accessories & Options

Check if provided

- Neck mounted opposed blade damper (galvanized steel)
- IS • Insect Screen (1/16" square mesh – galvanized steel)
- DS • Debris Screen (1/4" square mesh – galvanized steel)
- EQT • Earthquake tabs
- Other _____

Standard Finish: #26 White

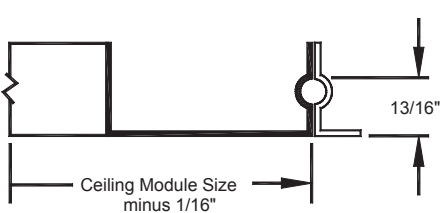
Optional finish _____

General Description

- Available with louvers vertical or horizontal.
- Optional opposed blade damper has screwdriver adjustment accessible through face of register.
- Material: Aluminum.
- #8 x 1 1/4" lg. Phillips flat head sheet metal screws painted white.
- All dimensions are $\pm 1/16"$.

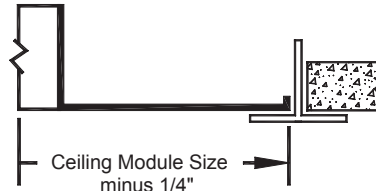
Optional Border Types Available

Border Type 2 (Snap-in)
Panel Mounted



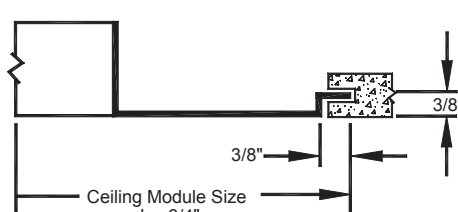
Available in 24" x 24" modules with neck sizes up to 20" x 20".

Border Type 3 (Lay-in)
Panel Mounted



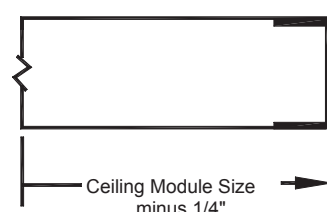
Available in all standard module sizes with neck sizes up to module size minus 2".

Border Type 4 (Spline)
Panel Mounted



Available in 24" x 24" modules with neck sizes up to 20" x 20".
Splines on 2 opposite sides only.

Border Type 7 (Channel)



Available in sizes up to 48" x 48".

Border Type 2, 3, 4

• Accessories & Options

Check if provided.

- AG-15 • Neck mounted opposed blade damper (galvanized steel)
- IS • Insect Screen (1/16" square mesh – galvanized steel)
- DS • Debris Screen (1/4" square mesh – galvanized steel)

EQT • Earthquake tabs

Other _____

Standard Finish: #26 White

Optional finish _____

Border Type 7

• Accessories & Options

Check if provided.

- EQT • Earthquake
- Other _____

Standard Finish: #26 White

Optional finish _____