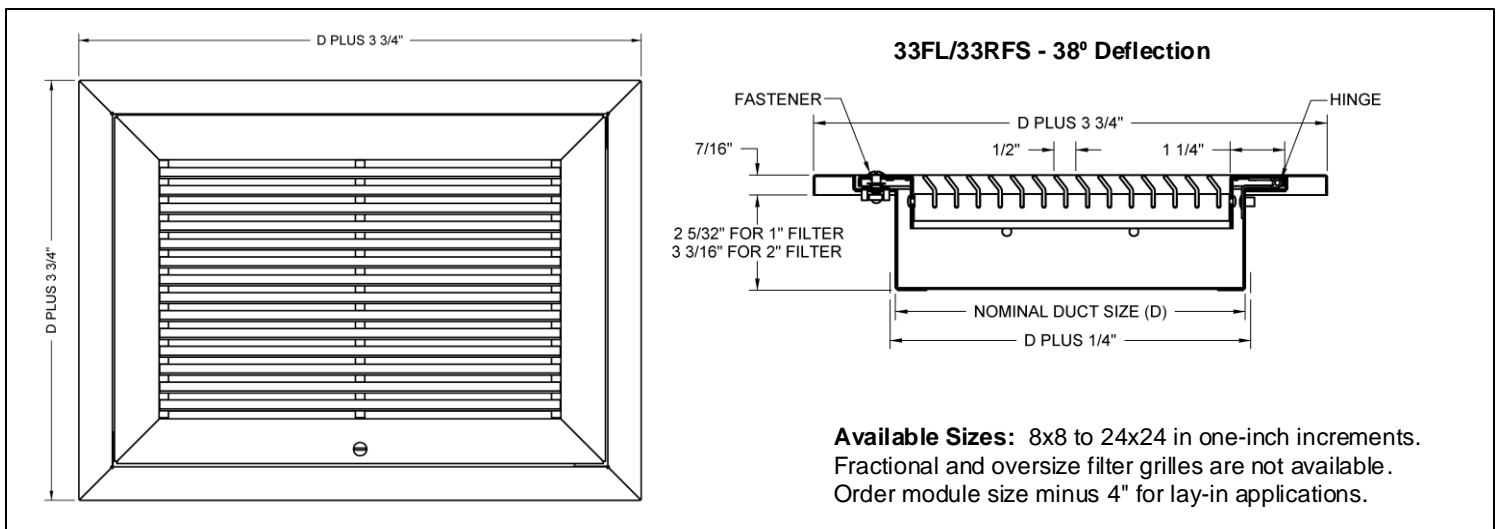
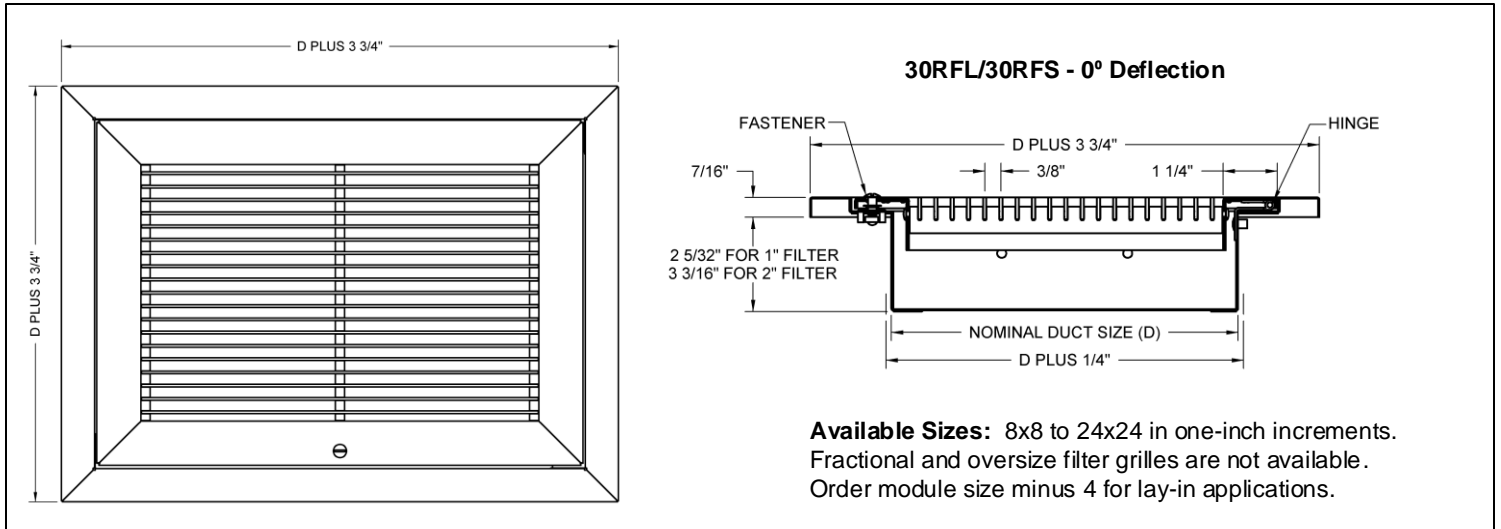


Filter Return Grille • Heavy Duty • Steel

- Models: 30RFL • 0° Deflection • Long Blade Orientation • 3/8" Blade Spacing
 30RFS • 0° Deflection • Short Blade Orientation • 3/8" Blade Spacing
 33RFL • 38° Deflection • Long Blade Orientation • 1/2" Blade Spacing
 33RFS • 38° Deflection • Short Blade Orientation • 1/2" Blade Spacing



- Standard Finish: #26 White Optional Finishes: #01 Aluminum #20 Enamel Match #21 Urethane Match #84 Black

Hinge Location Options:

- Hinged Top Hinged Right
 Hinged Left Hinged Bottom
 No Hinge

Filter Thickness Options:

- 1" Thick Filter (standard)
 2" Thick Filter (optional)

Fastening Options:

- Quarter-Turn Fastener (standard)
 Knurled Knob (optional)

Other Options:

- Earthquake Tabs (Border Type 3 only)
 Foam Gasket (Border Type 1 only)

General Description

- 3/8" louver spacing
- Standard filter thickness accommodation is 1" with 2" thick filter accommodation optional
- Quarter turn fasteners are standard, knurled knob fastener is optional
- Mounting holes for surface mounting are in the frame stack head. For lay-in applications specify size as grid module size minus 4.
- Construction is heavy gauge steel
- All dimensions are in inches ± 1/16"
- Filters by others

This submittal is meant to demonstrate general dimensions of this product. The drawings are not meant to detail every aspect of the product. Drawings are not to scale. Titus reserves the right to make changes without written notice.