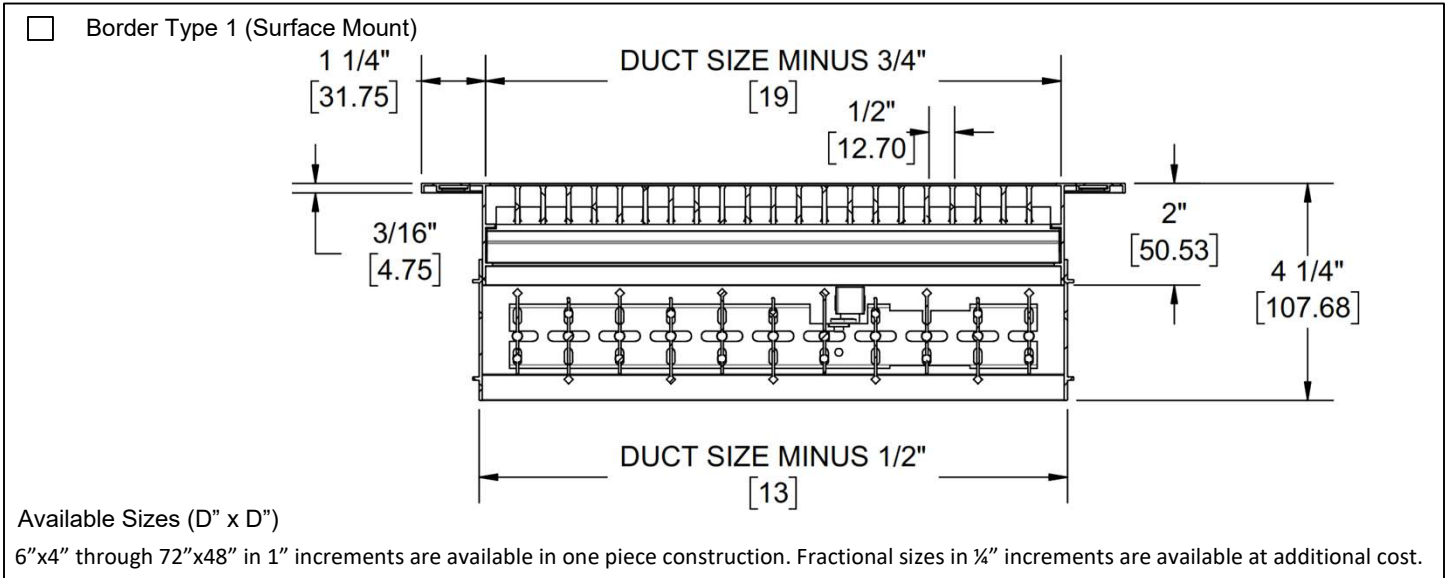
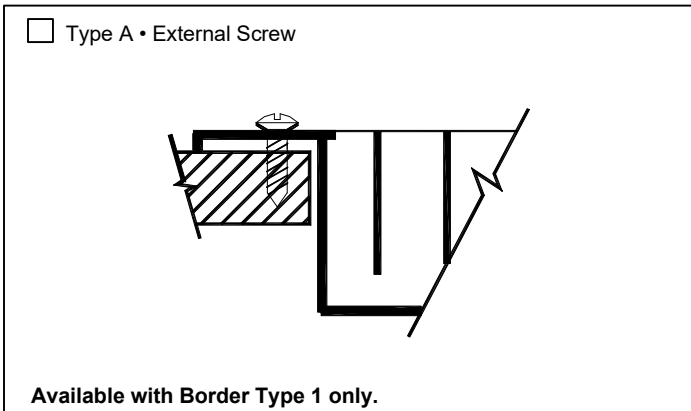


## Bar Return • Heavy Duty Gym Grille Aluminum

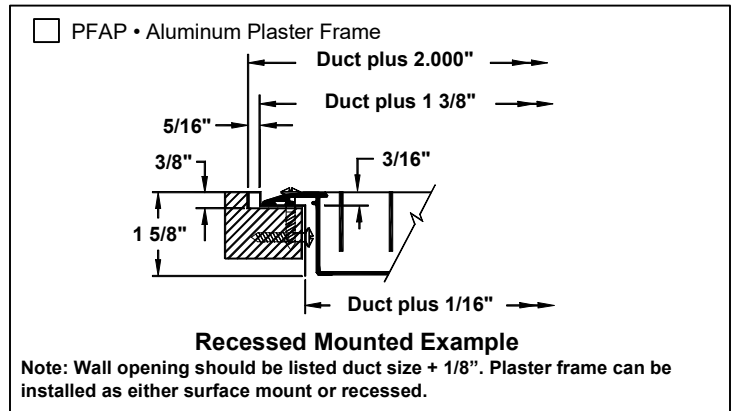
**Models: 60FL • 0° Deflection • Long Blades • 1/2" Blades Spacing**  
**60FS • 0° Deflection • Short Blades • 1/2" Blades Spacing**



### Fastenings



### Mounting Frames



Accessories (Optional) Check  if provided.

- Neck mounted opposed blade damper (extruded aluminum)
- DS • Debris Screen (1/4" square mesh – galvanized steel)
- IS • Insect Screen (1/16" square mesh – galvanized steel)
- Other: \_\_\_\_\_

Standard Finish: #26 White

Other Finish: \_\_\_\_\_

### General Description

- Models 60FL and 60FS are for use in locations where an unusually strong, impact resistant return grille is required.
- One set of 0° fixed blades.
- Support bars 6" on center.
- Material is extruded aluminum.
- Optional opposed blade damper has slide adjustment accessible at face of grille.
- Plaster frame must be ordered as a separate line item.

This submittal is meant to demonstrate general dimensions of this product. The drawings are not meant to detail every aspect of the product. Drawings are not to scale. Titus reserves the right to make changes without written notice.