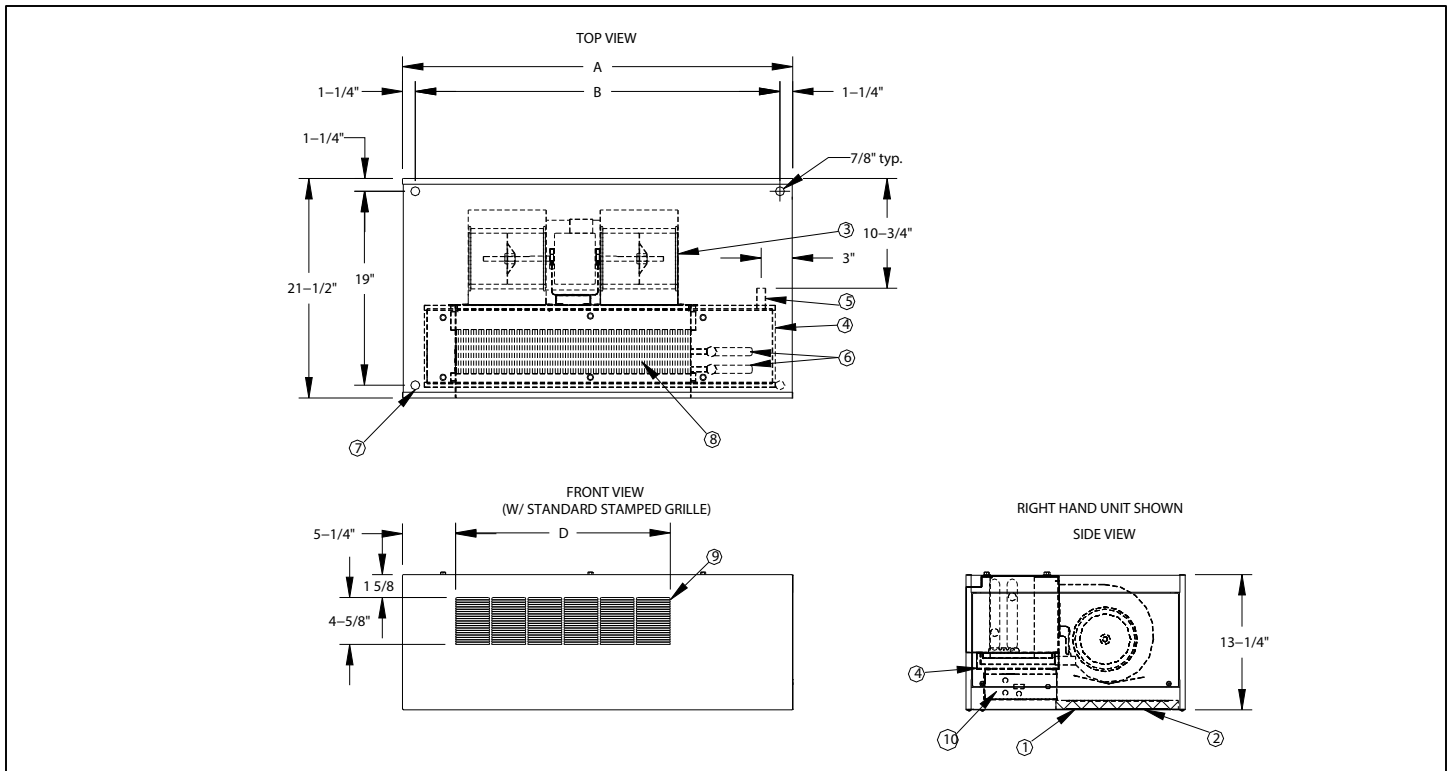


## HBE

### Fan Coil Unit Horizontal Basic Exposed Cabinet



Model	Dimensions (Inches)					Approx. Weight (lb)
	A	B	C	D	Filter	
HBE02	29 1/4	26 3/4	5/8	14	16x12x1	98
HBE03	32 1/4	29 3/4	5/8	15 5/8	24x12x1	112
HBE04	38 1/4	35 3/4	5/8	21	28x12x1	126
HBE06	47 1/4	44 3/4	5/8	31 7/8	38x12x1	144
HBE08	55 1/4	52 3/4	5/8	39 1/4	46x12x1	165
HBE10	65 1/4	62 3/4	7/8	49 1/2	(2) 28x14x1	196
HBE12	75 1/4	72 3/4	7/8	60	(2) 31x14x1	221

1. Filter
2. Access Panel
3. Blower / motor assembly
4. Condensate pan
5. Drain connection - 3/4" MNPT
6. Chilled water connections (supply and return)  
O.D. = 'C'; Hot water connections = 5/8" O.D.
7. Mounting holes with rubber grommets
8. Coil assembly
9. Supply air grille
10. Control/Electrical box

## Accessories (Optional)

Check  if provided.

- Thermostat \_\_\_\_\_
- Control Transformer & Fan Relays
- Aquastat Changeover Switch

- Unit Disconnect Switch
- Fuse
- Supply Grille, Double Deflection
- Special Color \_\_\_\_\_ (specify)

## Accessories (Optional)

Coil - 3/8" O.D. Copper Tube; 10 Fins/Inch Aluminum, Sine Wave

### 2-Pipe

- 2-Row     
  3-Row     
  4-Row     
  5-Row

### 4-Pipe (Cooling Rows/Heating Rows)

- 2/1-Row     
  3/1-Row     
  3/2-Row     
  4/1-Row  
 Chilled Water Cooling     
  Hot Water Heating  
 Glycol Cooling     
  Glycol Heating

### Motor(s) - 3 speed PSC

Standard  
115V/60Hz/1ph

Model	HP	Total Amps
HBE02	1/20	0.8
HBE03	1/20	0.8
HBE04	1/20	0.8
HBE06	1/10	1.5
HBE08	1/10	1.5
HBE10	2 x 1/10	2 x 1.5
HBE12	2 x 1/10	2 x 1.5

### Optional:

- 208V/60Hz/1ph  
 230V/60Hz/1ph  
 277V/60Hz/1ph

### Features:

- Automatic Reset
- Thermal Overload Protection System

### Electric Heat (Single Phase)

Heater Voltage

- 115V  
 208V  
 230V  
 277V

		Electric Heater kW. Primary or Supplementary			
		115 Volts	208 Volts	230 Volts	277 Volts
Size	Blowers	Min-Max kW	Min-Max kW	Min-Max kW	Min-Max kW
02	1	1-2 kW	1-2 kW	1-2 kW	1-2 kW
03	1	1-3 kW	1-3 kW	1-3 kW	1-3 kW
04	2	1-4 kW	1-4 kW	1-4 kW	1-4 kW
06	2	1-4 kW	1-6 kW	1-6 kW	1-6 kW
08	2	1-4 kW	1-8 kW	1-8 kW	1-8 kW
10	4	2-4 kW	2-9 kW	2-10 kW	2-10 kW
12	4	2-4 kW	2-9 kW	2-10 kW	2-12 kW

<b>Condensate Pan</b> <input type="checkbox"/> Galvanized (STD.) <input type="checkbox"/> Safety Overflow Float Switch* <input type="checkbox"/> Safety (Two) Drain Connection <input type="checkbox"/> Extension Plate <input type="checkbox"/> Mastic Coating <input type="checkbox"/> Stainless Steel Inner Layer		Description: Inner and Outer Layer of 18 gauge Galvanized Sheet Metal with One - Inch Internal Insulation
*24V, requires transformer and fan relay if not obtained with a 24V thermostat.		

<b>Valves and Valve Accessories</b> <input type="checkbox"/> Shut - Off Valve(s) <input type="checkbox"/> Strainer(s) <input type="checkbox"/> Shut - Off Valve w/ Memory Stop <input type="checkbox"/> Manual Flow Control Valve(s) <input type="checkbox"/> 2 - Way Motorized Valve <input type="checkbox"/> Automatic Flow Control Valve(s) <input type="checkbox"/> 3 - Way Motorized Valve <input type="checkbox"/> Unions <input type="checkbox"/> 2 - Way Modulating Valve <input type="checkbox"/> Pete's Plug(s)	
--	--

## General Description

- This horizontal discharge, attractively styled, cabinet unit is ideally suited for exposed, under-ceiling mounting in schools, hospitals, hotels and commercial applications.
- Exterior fabricated of 18 gauge galvanealed steel with Rock Beige or White powder-coated paint and a 1/2" matte-faced liner for maximum thermal and acoustical insulation.
- Removable motor/blower assembly.
- Throwaway filter.
- Manual Air Vent.
- System charged with air to insure a leak free arrival at the job site.

This submittal is meant to demonstrate general dimensions of this product. The drawings are not meant to detail every aspect of the product. Drawings are not to scale. Titus reserves the right to make changes without written notice.



605 Shiloh Road • Plano, Texas 75074 • 972-212-4800